

THIS PAGE INTENTIONALLY LEFT BLANK

**757 AIRPLANE CHARACTERISTICS
LIST OF ACTIVE PAGES**

| Page | Date | Page | Date | Page | Date |
|----------|------------------------------|------|-------------|------|-------------|
| Original | Preliminary November 1989 | 27 | June 1999 | 62 | August 2002 |
| Rev A | Preliminary June 1999 | 28 | June 1999 | 63 | August 2002 |
| Rev B | December 1982 | 29 | June 1999 | 64 | June 1999 |
| Rev C | August 1985 | 30 | June 1999 | 65 | June 1999 |
| Rev D | September 1989 | 31 | June 1999 | 66 | June 1999 |
| Rev E | June 1999 | 32 | June 1999 | 67 | August 2002 |
| Rev F | August 2002 | 33 | June 1999 | 68 | June 1999 |
| 1 | June 1999 | 34 | June 1999 | 69 | June 1999 |
| 2 | June 1999 | 35 | June 1999 | 70 | June 1999 |
| 3 | June 1999 | 36 | June 1999 | 71 | June 1999 |
| 4 | June 1999 | 37 | August 2002 | 72 | June 1999 |
| 5 | June 1999 | 38 | June 1999 | 73 | June 1999 |
| 6 | June 1999 | 39 | June 1999 | 74 | June 1999 |
| 7 | June 1999 | 40 | June 1999 | 75 | June 1999 |
| 8 | June 1999 | 41 | June 1999 | 76 | June 1999 |
| 9 | June 1999 | 42 | June 1999 | 77 | June 1999 |
| 10 | June 1999 | 43 | June 1999 | 78 | June 1999 |
| 11 | June 1999 | 44 | June 1999 | 79 | June 1999 |
| 12 | August 2002 | 45 | June 1999 | 80 | June 1999 |
| 13 | June 1999 | 46 | June 1999 | 81 | June 1999 |
| 14 | June 1999 | 47 | June 1999 | 82 | June 1999 |
| 15 | June 1999 | 48 | June 1999 | 83 | June 1999 |
| 16 | June 1999 | 49 | June 1999 | 84 | June 1999 |
| 17 | June 1999 | 50 | August 2002 | 85 | June 1999 |
| 18 | June 1999 | 51 | August 2002 | 86 | June 1999 |
| 19 | June 1999 | 52 | June 1999 | 87 | June 1999 |
| 20 | June 1999 | 53 | June 1999 | 88 | June 1999 |
| 21 | June 1999 | 54 | August 2002 | 89 | June 1999 |
| 22 | June 1999 | 55 | August 2002 | 90 | June 1999 |
| 23 | June 1999 | 56 | August 2002 | 91 | June 1999 |
| 24 | June 1999 | 57 | August 2002 | 92 | June 1999 |
| 25 | June 1999 | 58 | August 2002 | 93 | June 1999 |
| 26 | June 1999 | 59 | August 2002 | 94 | June 1999 |
| | | 60 | August 2002 | 95 | June 1999 |
| | | 61 | August 2002 | 96 | June 1999 |
| | | 62 | August 2002 | 97 | June 1999 |

**757 AIRPLANE CHARACTERISTICS
LIST OF ACTIVE PAGES (CONTINUED)**

| | | | | | |
|-----|-------------|-----|-----------|-----|-----------|
| 98 | June 1999 | 134 | June 1999 | 170 | June 1999 |
| 99 | June 1999 | 135 | June 1999 | 171 | June 1999 |
| 100 | June 1999 | 136 | June 2010 | 172 | June 1999 |
| 101 | June 1999 | 137 | June 2010 | 173 | June 1999 |
| 102 | June 1999 | 138 | June 2010 | 174 | June 1999 |
| 103 | June 1999 | 139 | June 1999 | 3 | May 2011 |
| 104 | August 2002 | 140 | June 1999 | | |
| 105 | June 1999 | 141 | June 1999 | | |
| 106 | June 1999 | 142 | June 1999 | | |
| 107 | June 1999 | 143 | June 1999 | | |
| 108 | June 1999 | 144 | June 1999 | | |
| 109 | June 1999 | 145 | June 1999 | | |
| 110 | June 1999 | 146 | June 1999 | | |
| 111 | June 1999 | 147 | June 1999 | | |
| 112 | June 1999 | 148 | June 1999 | | |
| 113 | June 1999 | 149 | June 1999 | | |
| 114 | June 1999 | 150 | June 1999 | | |
| 115 | June 1999 | 151 | June 1999 | | |
| 116 | June 2010 | 152 | June 1999 | | |
| 117 | June 1999 | 153 | June 1999 | | |
| 118 | June 1999 | 154 | June 1999 | | |
| 119 | June 2010 | 155 | June 1999 | | |
| 120 | June 1999 | 156 | June 1999 | | |
| 121 | June 1999 | 157 | June 1999 | | |
| 122 | June 1999 | 158 | June 1999 | | |
| 123 | June 1999 | 159 | June 1999 | | |
| 124 | June 1999 | 160 | June 1999 | | |
| 125 | June 1999 | 161 | June 1999 | | |
| 126 | June 1999 | 162 | June 1999 | | |
| 127 | June 1999 | 163 | June 1999 | | |
| 128 | June 1999 | 164 | June 1999 | | |
| 129 | June 1999 | 165 | June 1999 | | |
| 130 | June 1999 | 166 | June 1999 | | |
| 131 | June 1999 | 167 | June 1999 | | |
| 132 | June 1999 | 168 | June 1999 | | |
| 133 | June 1999 | 169 | June 1999 | | |

TABLE OF CONTENTS

| <u>SECTION</u> | <u>TITLE</u> | <u>PAGE</u> |
|----------------|---|-------------|
| 1.0 | SCOPE AND INTRODUCTION | 1 |
| 1.1 | Scope | 2 |
| 1.2 | Introduction | 3 |
| 1.3 | A Brief Description of the 757 Family of Airplanes | 4 |
| 2.0 | AIRPLANE DESCRIPTION | 7 |
| 2.1 | General Characteristics | 8 |
| 2.2 | General Dimensions | 11 |
| 2.3 | Ground Clearances | 13 |
| 2.4 | Interior Arrangements | 15 |
| 2.5 | Cabin Cross-Sections | 19 |
| 2.6 | Lower Cargo Compartments | 20 |
| 2.7 | Door Clearances | 22 |
| 3.0 | AIRPLANE PERFORMANCE | 31 |
| 3.1 | General Information | 32 |
| 3.2 | Payload/Range for Long-Range Cruise | 33 |
| 3.3 | FAA Takeoff Runway Length Requirements | 38 |
| 3.4 | FAA Landing Runway Length Requirements | 64 |
| 4.0 | GROUND MANEUVERING | 69 |
| 4.1 | General Information | 70 |
| 4.2 | Turning Radii | 71 |
| 4.3 | Clearance Radii | 73 |
| 4.4 | Visibility from Cockpit in Static Position | 74 |
| 4.5 | Runway and Taxiway Turn Paths | 75 |
| 4.6 | Runway Holding Bay | 79 |
| 5.0 | TERMINAL SERVICING | 81 |
| 5.1 | Airplane Servicing Arrangement - Typical Turnaround | 83 |
| 5.2 | Terminal Operations - Turnaround Station | 86 |
| 5.3 | Terminal Operations - En Route Station | 89 |
| 5.4 | Ground Servicing Connections | 91 |
| 5.5 | Engine Start Pneumatic Requirements - Sea Level | 94 |
| 5.6 | Ground Pneumatic Power Requirements | 96 |
| 5.7 | Conditioned Air Flow Requirements | 98 |
| 5.8 | Ground Towing Requirements | 100 |

TABLE OF CONTENTS (CONTINUED)

| <u>SECTION</u> | <u>TITLE</u> | <u>PAGE</u> |
|----------------|--|-------------|
| 6.0 | JET ENGINE WAKE AND NOISE DATA | 103 |
| 6.1 | Jet Engine Exhaust Velocities and Temperatures | 104 |
| 6.2 | Airport and Community Noise | 111 |
| 7.0 | PAVEMENT DATA | 115 |
| 7.1 | General Information | 116 |
| 7.2 | Landing Gear Footprint | 119 |
| 7.3 | Maximum Pavement Loads | 120 |
| 7.4 | Landing Gear Loading on Pavement | 121 |
| 7.5 | Flexible Pavement Requirements - U.S. Army Corps of Engineers Method (S-77-1) | 123 |
| 7.6 | Flexible Pavement Requirements - LCN Method | 125 |
| 7.7 | Rigid Pavement Requirements - Portland Cement Association Design Method | 128 |
| 7.8 | Rigid Pavement Requirements - LCN Conversion | 131 |
| 7.9 | Rigid Pavement Requirements - FAA Method | 134 |
| 7.10 | ACN/PCN Reporting System: Flexible and Rigid Pavements | 136 |
| 8.0 | FUTURE 757 DERIVATIVE AIRPLANES | 141 |
| 9.0 | SCALED 757 DRAWINGS | 143 |

1.0 SCOPE AND INTRODUCTION

1.1 Scope

1.2 Introduction

1.3 A Brief Description of the 757 Airplane

1.0 SCOPE AND INTRODUCTION

1.1 Scope

This document provides, in a standardized format, airplane characteristics data for general airport planning. Since operational practices vary among airlines, specific data should be coordinated with the using airlines prior to facility design. Boeing Commercial Airplanes should be contacted for any additional information required.

Content of the document reflects the results of a coordinated effort by representatives from the following organizations:

- Aerospace Industries Association
- Airports Council International - North America
- Air Transport Association of America
- International Air Transport Association

The airport planner may also want to consider the information presented in the "CTOL Transport Aircraft, Characteristics, Trends, and Growth Projections," available from the US AIA, 1250 Eye St., Washington DC 20005, for long-range planning needs. This document is updated periodically and represents the coordinated efforts of the following organizations regarding future aircraft growth trends:

- International Coordinating Council of Aerospace Industries Associations
- Airports Council International - North America
- Air Transport Association of America
- International Air Transport Association

1.2 Introduction

This document conforms to NAS 3601. It provides characteristics of the Boeing Model 757 family of airplanes for airport planners and operators, airlines, architectural and engineering consultant organizations, and other interested industry agencies. Airplane changes and available options may alter model characteristics; the data presented herein reflect typical airplanes in each model category.

For additional information contact:

Boeing Commercial Airplanes
P.O. Box 3707
Seattle, Washington 98124-2207
USA

Attention: Manager, Airport Technology
Mail Code:20-93

1.3 A Brief Description of the 757 Airplane

The 757 is a twin-engine, new technology jet airplane designed for low fuel burn and short-to-medium range operations. This airplane uses new aerodynamics, materials, structures, and systems to fill market requirement that cannot be efficiently provided by existing equipment or derivatives.

The 757 is a low-noise airplane powered by either Rolls-Royce RB211-535C, -535E4, or -535E4B, or the Pratt & Whitney PW2037, PW2040, or PW2043 engines. These are high-bypass-ratio engines which are efficient, reliable, and easy to maintain. The following table shows the available engine options

| ENGINE MFR | MODEL | THRUST | AIRPLANE MODEL |
|-----------------|--------------|-----------|----------------------|
| PRATT & WHITNEY | PW2037 | 37,200 LB | 757-200, -200PF |
| | PW 2040 | 41,700 LB | 757-200,-200PF, -300 |
| | PW 2043 | 43,850 LB | 757-300 |
| ROLLS ROYCE | RB211-535C | 37,400 LB | 757-200 |
| | RB211-535E4 | 40,100 LB | 757-200,-300 |
| | RB211-535E4B | 43,100 LB | 757-200,-300 |

757-200

The 757-200 family of airplanes consists of passenger and package freighter versions.

The passenger version is available in two configurations:

- The basic configuration (overwing-exit) has three LH and RH passenger doors and two LH and RH overwing exit doors.
- An optional configuration (four-door) has the same three LH and RH passenger doors but with LH and RH exit door aft of the wing, in lieu of the overwing exit doors.

In the passenger configuration, the 757-200 can typically carry 186 passengers in a six-abreast, mixed class configuration over a 2,900-nautical-mile range with full load. High gross options can increase the range to about 3,900 nautical miles. High-density seating arrangements can accommodate as many as 239 passengers in an all-economy configuration.

The 757-200 can be equipped for Extended Range Operations (EROPS) to allow extended overwater operations. Changes include a backup hydraulic motor-generator set and an auxiliary fan for equipment cooling.

757-200PF

The Package Freighter (757-200PF) airplane is designed to carry an all-cargo payload. Main-deck cargo is either in cargo containers or pallets and are loaded through a large cargo door forward of left wing. The -200PF has no windows or passenger doors in the fuselage. A crew entry door is provided forward of the main deck cargo door.

757-300

The 757-300 is a second-generation derivative of the 757-200 airplane. Two body extensions are added to the airplane fuselage to provide additional seating and cargo capacity. The 757-300 can typically seat 243 passengers in a dual-class arrangement or 279 passengers in an all-economy configuration. The EROPS option has been incorporated in the 757-300.

The 757 has ground service connections compatible with existing ground support equipment and no special equipment is required.

THIS PAGE INTENTIONALLY LEFT BLANK

2.0 AIRPLANE DESCRIPTION

2.1 General Characteristics

2.2 General Dimensions

2.3 Ground Clearances

2.4 Interior Arrangements

2.5 Cabin Cross Sections

2.6 Lower Cargo Compartments

2.7 Door Clearances

2.0 AIRPLANE DESCRIPTION

2.1 General Characteristics

Maximum Design Taxi Weight (MTW). Maximum weight for ground maneuver as limited by aircraft strength and airworthiness requirements. (It includes weight of taxi and run-up fuel.)

Maximum Design Landing Weight (MLW). Maximum weight for landing as limited by aircraft strength and airworthiness requirements.

Maximum Design Takeoff Weight (MTOW). Maximum weight for takeoff as limited by aircraft strength and airworthiness requirements. (This is the maximum weight at start of the takeoff run.)

Operating Empty Weight (OEW). Weight of structure, powerplant, furnishing systems, unusable fuel and other unusable propulsion agents, and other items of equipment that are considered an integral part of a particular airplane configuration. Also included are certain standard items, personnel, equipment, and supplies necessary for full operations, excluding usable fuel and payload.

Maximum Design Zero Fuel Weight (MZFW). Maximum weight allowed before usable fuel and other specified usable agents must be loaded in defined sections of the aircraft as limited by strength and airworthiness requirements.

Maximum Pay load. Maximum design zero fuel weight minus operational empty weight.

Maximum Seating Capacity. The maximum number of passengers specifically certificated or anticipated for certification.

Maximum Cargo Volume. The maximum space available for cargo.

Usable Fuel. Fuel available for aircraft propulsion.

| CHARACTERISTICS | UNITS | 757-200 | | | | |
|-----------------------------|--------------|---------------------------------|---------|---------|---------|------------|
| | | | | | | |
| MAX DESIGN TAXI WEIGHT | POUNDS | 221,000 | 231,000 | 241,000 | 251,000 | 256,000 |
| | KILOGRAMS | 100,250 | 104,800 | 109,300 | 113,850 | 116,100 |
| MAX DESIGN TAKEOFF WEIGHT | POUNDS | 220,000 | 230,000 | 240,000 | 250,000 | 255,000(1) |
| | KILOGRAMS | 99,800 | 104,350 | 108,850 | 113,400 | 115,650(1) |
| MAX DESIGN LANDING WEIGHT | POUNDS | 198,000 | 198,000 | 198,000 | 198,000 | 210,000 |
| | KILOGRAMS | 89,800 | 89,800 | 89,800 | 89,800 | 95,250 |
| MAX DESIGN ZERO FUEL WEIGHT | POUNDS | 184,000 | 184,000 | 184,000 | 184,000 | 188,000 |
| | KILOGRAMS | 83,450 | 83,450 | 83,450 | 83,450 | 85,300 |
| SPEC OPERATING EMPTY WEIGHT | POUNDS | 134,090 | 125,110 | 132,280 | 136,940 | 136,940 |
| | KILOGRAMS | 60,800 | 56,750 | 60,000 | 62,100 | 62,100 |
| MAX STRUCTURAL PAYLOAD | POUNDS | 49,910 | 58,890 | 51,720 | 47,060 | 47,060 |
| | KILOGRAMS | 22,650 | 26,700 | 23,450 | 21,350 | 21,350 |
| SEATING CAPACITY | TWO-CLASS | 186 - 16 FIRST + 170 ECONOMY | | | | |
| | ONE-CLASS | FAA EXIT LIMIT: 224 (2), 239(3) | | | | |
| MAX CARGO - LOWER DECK (4) | CUBIC FEET | 1,790 | 1,790 | 1,790 | 1,790 | 1,790 |
| | CUBIC METERS | 51 | 51 | 51 | 51 | 51 |
| USABLE FUEL | US GALLONS | 11276 | 11276 | 11276 | 11276 | 11276 |
| | LITERS | 42,680 | 42,680 | 42,680 | 42,680 | 42,680 |
| | POUNDS | 75,550 | 75,550 | 75,550 | 75,550 | 75,550 |
| | KILOGRAMS | 34,260 | 34,260 | 34,260 | 34,260 | 34,260 |

NOTES: WEIGHTS SHOWN ARE FOR TYPICAL AS-DELIVERED OR AS-OFFERED CONFIGURATIONS.
CONSULT WITH AIRLINE FOR ACTUAL WEIGHTS.

- (1) 255,500 LB (115,900 KG) FOR AIRPORT ALTITUDES BELOW 1,500 FT.
- (2) OVERWING-EXIT CONFIGURATION AIRPLANE.
- (3) FOUR-DOOR CONFIGURATION AIRPLANE.
- (4) VOLUME IS REDUCED BY 100 CU FT (3 CU M) WITH TELESCOPING BAGGAGE SYSTEM.

2.1.1 GENERAL CHARACTERISTICS

MODEL 757-200 (RB211-535C, -535E4, -535E4B ENGINES)

D6-58327

JUNE 1999 9

| CHARACTERISTICS | UNITS | 757-200 | | | | |
|-----------------------------|--------------|---------------------------------|---------|---------|---------|------------|
| MAX DESIGN TAXI WEIGHT | POUNDS | 221,000 | 231,000 | 241,000 | 251,000 | 256,000 |
| | KILOGRAMS | 100,250 | 104,800 | 109,300 | 113,850 | 116,100 |
| MAX DESIGN TAKEOFF WEIGHT | POUNDS | 220,000 | 230,00 | 240,000 | 250,000 | 255,000(1) |
| | KILOGRAMS | 99,800 | 104,350 | 108,850 | 113,400 | 115,650(1) |
| MAX DESIGN LANDING WEIGHT | POUNDS | 198,000 | 198,000 | 198,000 | 198,000 | 210,000 |
| | KILOGRAMS | 89,800 | 89,800 | 89,800 | 89,800 | 95,250 |
| MAX DESIGN ZERO FUEL WEIGHT | POUNDS | 184,000 | 184,000 | 184,000 | 184,000 | 188,000 |
| | KILOGRAMS | 83,450 | 83,450 | 83,450 | 83,450 | 85,300 |
| SPEC OPERATING EMPTY WEIGHT | POUNDS | 128,380 | 130,850 | 130,860 | 130,875 | 130,875 |
| | KILOGRAMS | 58,250 | 59,350 | 59,350 | 59,350 | 59,350 |
| MAX STRUCTURAL PAYLOAD | POUNDS | 55,620 | 53,140 | 53,140 | 53,125 | 53,125 |
| | KILOGRAMS | 25,250 | 24,100 | 24,100 | 24,100 | 25,000 |
| SEATING CAPACITY | TWO-CLASS | 186 - 16 FIRST + 170 ECONOMY | | | | |
| | ONE-CLASS | FAA EXIT LIMIT: 224 (2), 239(3) | | | | |
| MAX CARGO - LOWER DECK (4) | CUBIC FEET | 1,790 | 1,790 | 1,790 | 1,790 | 1,790 |
| | CUBIC METERS | 51 | 51 | 51 | 51 | 51 |
| USABLE FUEL | US GALLONS | 11276 | 11276 | 11276 | 11276 | 11276 |
| | LITERS | 42,680 | 42,680 | 42,680 | 42,680 | 42,680 |
| | POUNDS | 75,550 | 75,550 | 75,550 | 75,550 | 75,550 |
| | KILOGRAMS | 34,260 | 34,260 | 34,260 | 34,260 | 34,260 |

NOTES: WEIGHTS SHOWN ARE FOR TYPICAL AS-DELIVERED OR AS-OFFERRED CONFIGURATIONS.

CONSULT WITH AIRLINE FOR ACTUAL WEIGHTS.

(1) 255,500 LB (115,900 KG) FOR AIRPORT ALTITUDES BELOW 1,500 FT.

(2) OVERWING-EXIT CONFIGURATION AIRPLANE.

(3) FOUR-DOOR CONFIGURATION AIRPLANE.

(4) VOLUME IS REDUCED BY 100 CU FT (3 CU M) WITH TELESCOPING BAGGAGE SYSTEM.

2.1.2 GENERAL CHARACTERISTICS

MODEL 757-200 (PW2037, PW2040 ENGINES)

D6-58327

10 JUNE 1999

Not Subject to EAR or ITAR.
Copyright © 2023 Boeing. All Rights Reserved.

| CHARACTERISTICS | UNITS | 757-200PF | |
|-----------------------------|--------------|-----------|------------|
| | | | |
| MAX DESIGN TAXI WEIGHT | POUNDS | 251,000 | 256,000 |
| | KILOGRAMS | 113,850 | 116,100 |
| MAX DESIGN TAKEOFF WEIGHT | POUNDS | 250,000 | 255,000(1) |
| | KILOGRAMS | 113,400 | 116,650(1) |
| MAX DESIGN LANDING WEIGHT | POUNDS | 210,000 | 210,000 |
| | KILOGRAMS | 92,250 | 92,250 |
| MAX DESIGN ZERO FUEL WEIGHT | POUNDS | 200,000 | 200,000 |
| | KILOGRAMS | 90,700 | 90,700 |
| SPEC OPERATING EMPTY WEIGHT | POUNDS | 114,000 | 114,000 |
| | KILOGRAMS | 51,700 | 51,700 |
| MAX STRUCTURAL PAYLOAD | POUNDS | 86,000 | 86,000 |
| | KILOGRAMS | 39,000 | 39,000 |
| MAX CARGO | CUBIC FEET | 1,830 | 1,830 |
| - LOWER DECK (2) | CUBIC METERS | 52 | 52 |
| MAX CARGO - MAIN DECK (3) | CUBIC FEET | 6,600 | 6,600 |
| | CUBIC METERS | 187 | 187 |
| USABLE FUEL | US GALLONS | 11,276 | 11,276 |
| | LITERS | 42,680 | 42,680 |
| | POUNDS | 75,550 | 75,550 |
| | KILOGRAMS | 34,260 | 34,260 |

NOTES: WEIGHTS SHOWN ARE FOR TYPICAL AS-DELIVERED OR AS-OFFERRED CONFIGURATIONS. CONSULT WITH AIRLINE FOR ACTUAL WEIGHTS.

- (1) 255,500 LB (115,900 KG) FOR AIRPORT ALTITUDES BELOW 1,500 FEET.
- (2) VOLUME IS REDUCED BY 100 CU FT (3 CU M) WITH TELESCOPING BAGGAGE SYSTEM.
- (3) 15 UNIT LOAD DEVICES (ULD) AT 440 CU FT (12.36 CU M) EACH.

2.1.3 GENERAL CHARACTERISTICS

MODEL 757-200PF

D6-58327

JUNE 1999 11

| CHARACTERISTICS | UNITS | PW2040, PW 2043 ENGINES | RB211-535E4, -535E4B ENGINES |
|---------------------------------|--------------|------------------------------|------------------------------|
| MAX DESIGN TAXI WEIGHT | POUNDS | 271,000 | 271,000 |
| | KILOGRAMS | 122,930 | 122,930 |
| MAX DESIGN TAKEOFF WEIGHT | POUNDS | 270,000 | 270,000 |
| | KILOGRAMS | 122,470 | 122,470 |
| MAX DESIGN LANDING WEIGHT | POUNDS | 224,000 | 224,000 |
| | KILOGRAMS | 101,610 | 101,610 |
| MAX DESIGN ZERO FUEL WEIGHT | POUNDS | 210,000 | 210,000 |
| | KILOGRAMS | 95,260 | 95,260 |
| SPEC OPERATING EMPTY WEIGHT (1) | POUNDS | 141,800 | 142,350 |
| | KILOGRAMS | 64,330 | 64,580 |
| MAX STRUCTURAL PAYLOAD | POUNDS | 68,200 | 67,650 |
| | KILOGRAMS | 30,940 | 30,690 |
| SEATING CAPACITY (1) | TWO-CLASS | 243 - 12 FIRST + 231 ECONOMY | |
| | ONE-CLASS | 279 ALL-ECONOMY | |
| MAX CARGO - LOWER DECK | CUBIC FEET | 2,382 (2) | 2,382 (2) |
| | CUBIC METERS | 67.5 (2) | 67.5 (2) |
| USABLE FUEL | US GALLONS | 11,490 | 11,490 |
| | LITERS | 43,495 | 43,495 |
| | POUNDS | 76,980 | 79,980 |
| | KILOGRAMS | 34,930 | 34,930 |

NOTES: (1) SPEC WEIGHT FOR BASELINE CONFIGURATION OF 243 PASSENGERS.
CONSULT WITH AIRLINE FOR SPECIFIC WEIGHTS AND CONFIGURATIONS.

(2) FWD CARGO = 1,070 CU FT (30.3 CU M).
AFT CARGO = 1,312 CU FT (37.2 CU M).

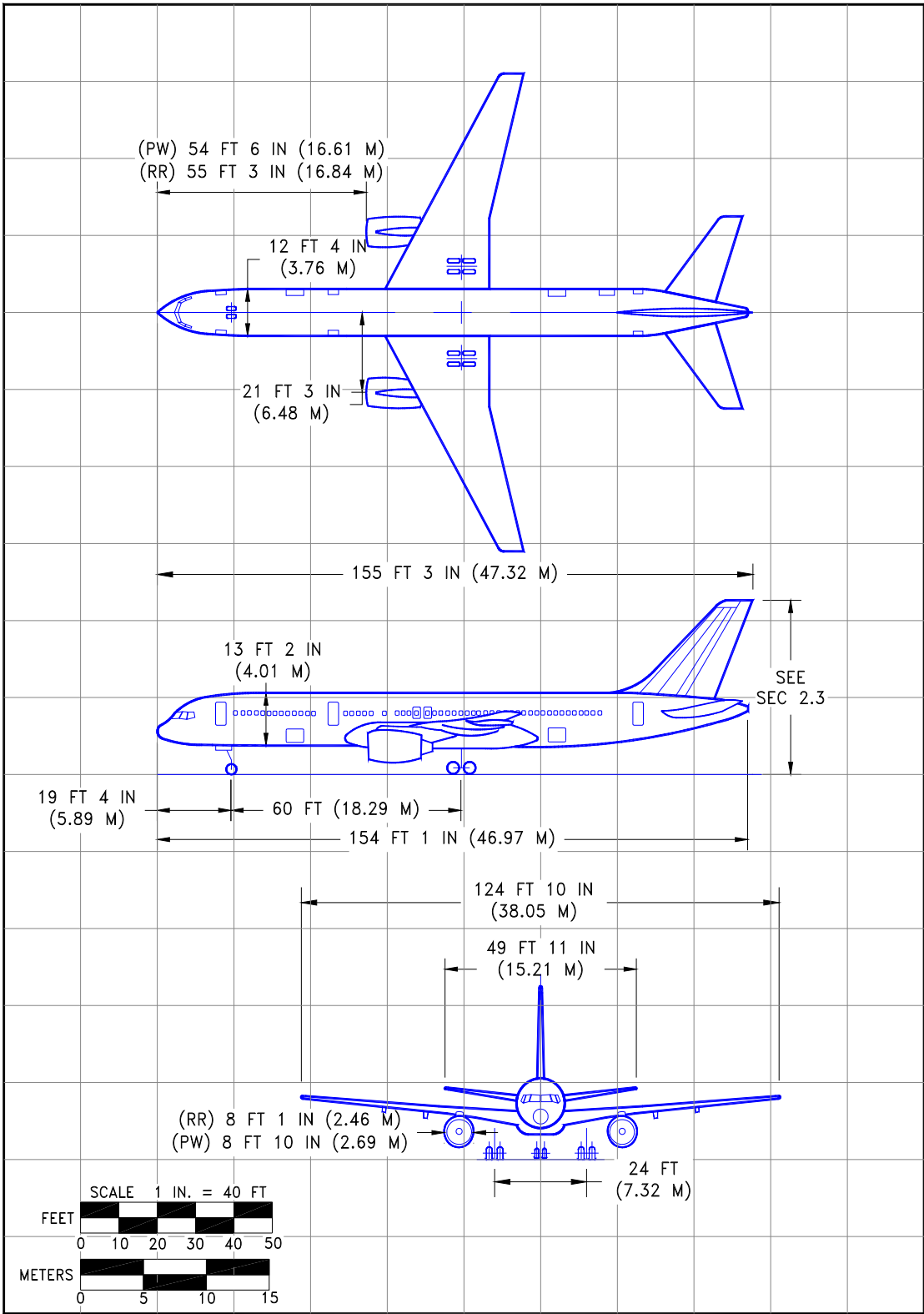
2.1.4 GENERAL CHARACTERISTICS

MODEL 757-300

D6-58327

12 AUGUST 2002

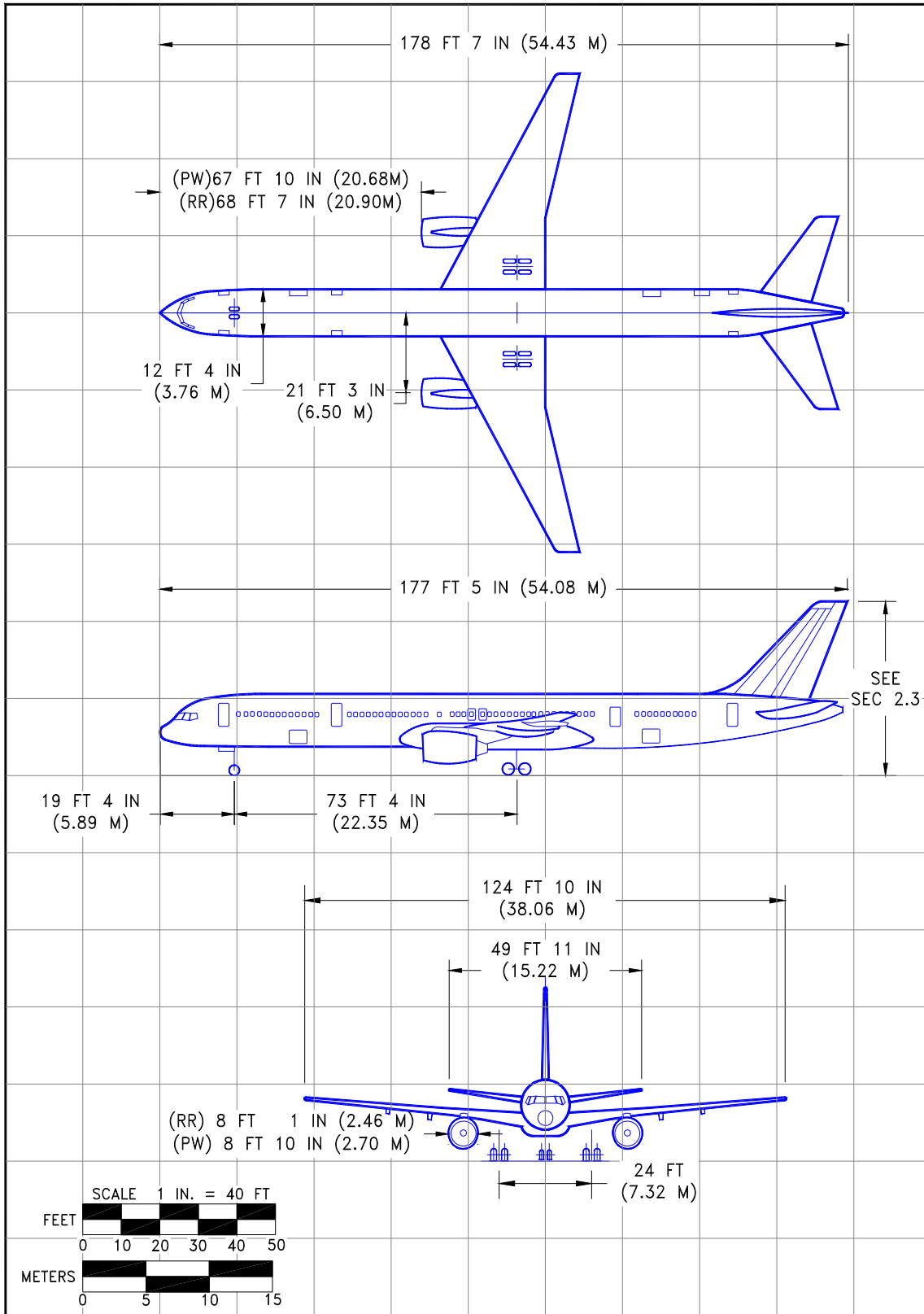
Not Subject to EAR or ITAR.
Copyright © 2023 Boeing. All Rights Reserved.



2.2.1 GENERAL DIMENSIONS
 MODEL 757-200, -200PF

D6-58327

JUNE 1999 13

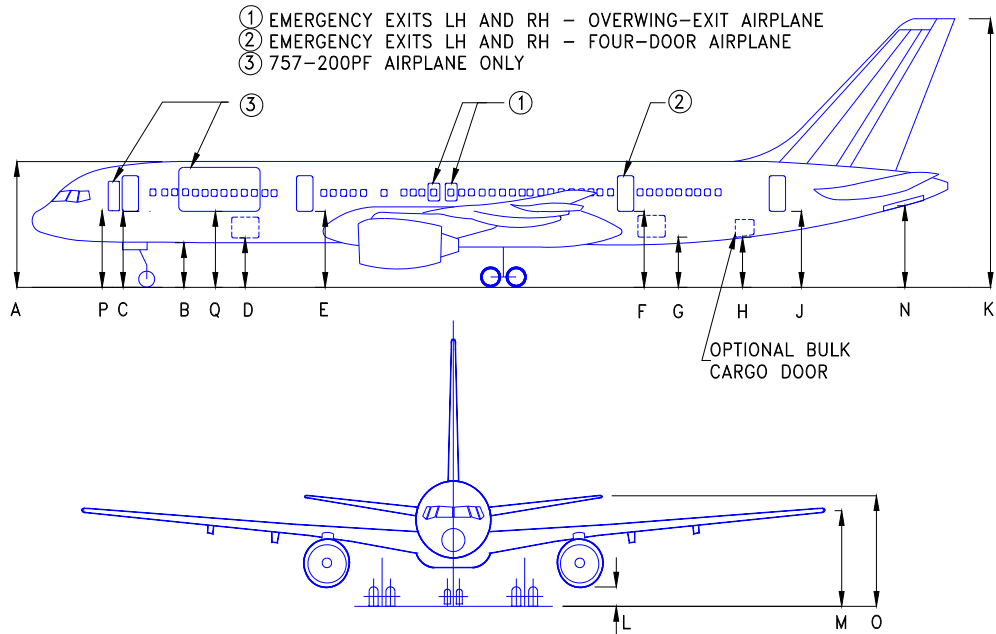


2.2.2 GENERAL DIMENSIONS
 MODEL 757-300

D6-58327

14 JUNE 1999

Not Subject to EAR or ITAR.
 Copyright © 2023 Boeing. All Rights Reserved.



| | MINIMUM* | | MAXIMUM* | | MODEL APPLICABILITY |
|---|---------------|--------|---------------|--------|---------------------|
| | FEET - INCHES | METERS | FEET - INCHES | METERS | |
| A | 20 - 6 | 6.25 | 21 - 2 | 6.45 | -200, -200PF |
| B | 7 - 4 | 2.24 | 8 - 0 | 2.44 | -200, -200PF |
| C | 12 - 5 | 3.79 | 13 - 2 | 4.01 | -200 |
| D | 8 - 1 | 2.46 | 8 - 9 | 2.67 | -200, -200PF |
| E | 12 - 7 | 3.84 | 13 - 2 | 4.01 | -200 |
| F | 12 - 9 | 3.89 | 13 - 3 | 4.04 | -200 |
| G | 7 - 9 | 2.36 | 8 - 3 | 2.51 | -200, -200PF |
| H | 8 - 6 | 2.59 | 9 - 1 | 2.77 | -200 |
| J | 12 - 9 | 3.89 | 13 - 7 | 4.14 | -200 |
| K | 44 - 3 | 13.49 | 45 - 1 | 13.74 | -200, -200PF |
| L | 2 - 5 | 0.74 | 2 - 10 | 0.86 | -200, -200PF |
| M | 15 - 4 | 4.67 | 16 - 1 | 4.90 | -200, -200PF |
| N | 12 - 5 | 3.78 | 13 - 3 | 4.04 | -200, -200PF |
| O | 18 - 7 | 5.66 | 19 - 8 | 5.99 | -200, -200PF |
| P | 12 - 5 | 3.79 | 13 - 2 | 4.01 | -200PF |
| Q | 12 - 6 | 3.81 | 13 - 2 | 4.01 | -200PF |

NOTES: VERTICAL CLEARANCES SHOWN OCCUR DURING MAXIMUM VARIATIONS OF AIRPLANE ATTITUDE. COMBINATIONS OF AIRPLANE LOADING AND UNLOADING ACTIVITIES THAT PRODUCE THE GREATEST POSSIBLE VARIATIONS IN ATTITUDE WERE USED TO ESTABLISH THE VARIATIONS SHOWN.

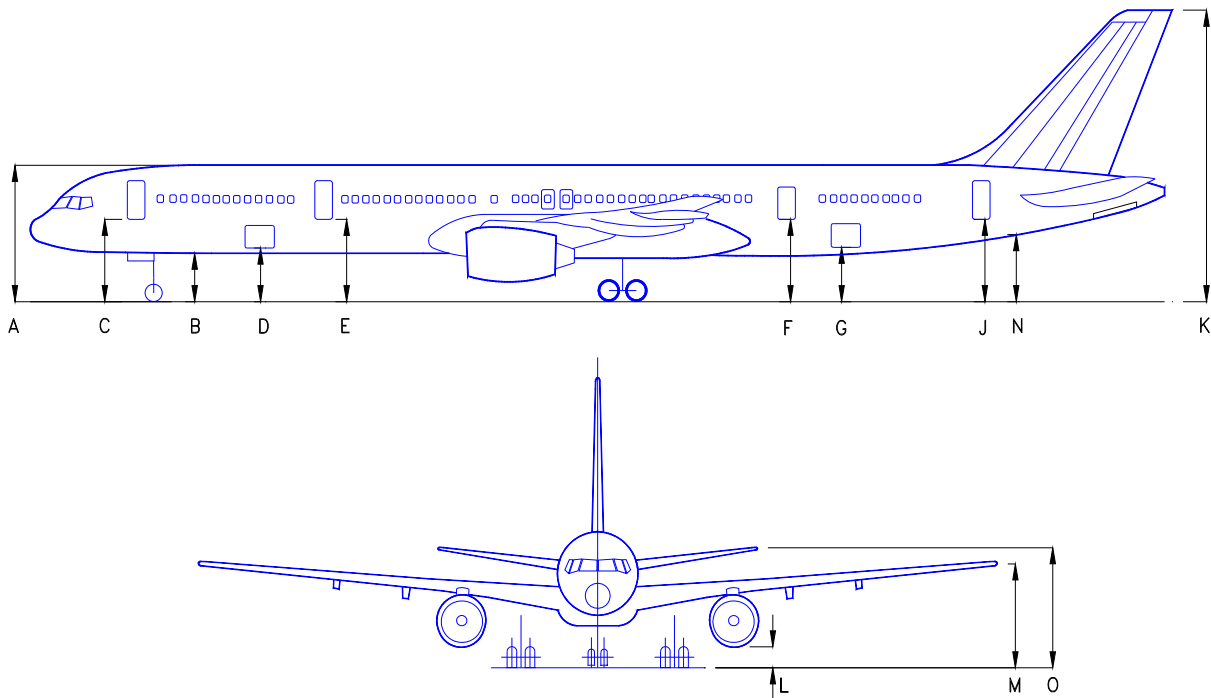
* NOMINAL DIMENSIONS

2.3.1 GROUND CLEARANCES

MODEL 757-200, 200PF

D6-58327

JUNE 1999 15



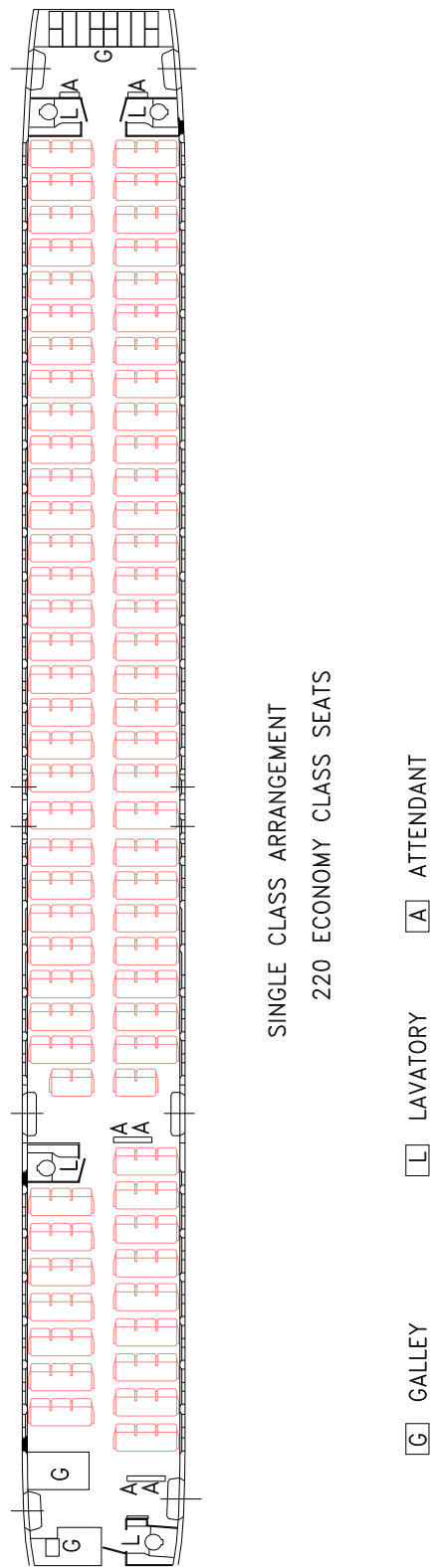
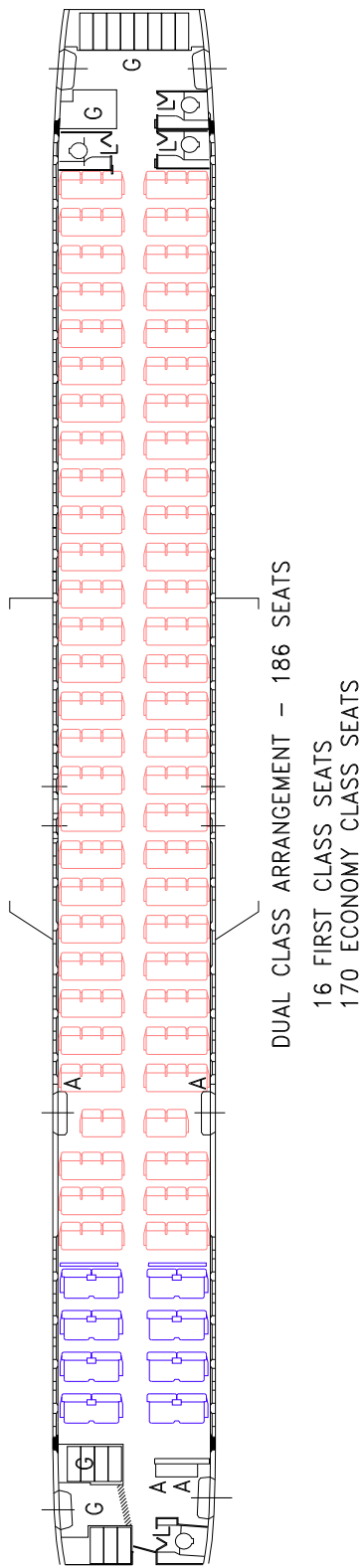
| | MINIMUM* | | MAXIMUM* | |
|---------------|---------------|--------|---------------|--------|
| | FEET - INCHES | METERS | FEET - INCHES | METERS |
| A | 20 - 7 | 6.27 | 21 - 4 | 6.50 |
| B | 7 - 5 | 2.26 | 8 - 2 | 2.49 |
| C | 12 - 5 | 3.79 | 13 - 2 | 4.01 |
| D | 8 - 0 | 2.44 | 8 - 9 | 2.67 |
| E | 12 - 7 | 3.84 | 13 - 2 | 4.01 |
| F | 12 - 11 | 3.94 | 13 - 4 | 4.06 |
| G | 7 - 6 | 2.29 | 7 - 10 | 2.39 |
| J | 13 - 0 | 3.96 | 13 - 4 | 4.06 |
| K | 44 - 6 | 13.56 | 44 - 9 | 13.64 |
| L (RB211) | 3 - 0 | 0.91 | 3 - 7 | 1.09 |
| L (PW2043) | 2 - 8 | 0.81 | 3 - 3 | 0.99 |
| M | 16 - 1 | 4.90 | 16 - 6 | 5.03 |
| N (TAIL SKID) | 9 - 0 | 2.74 | 9 - 4 | 2.85 |
| O | 18 - 10 | 5.74 | 19 - 1 | 5.82 |

NOTES: VERTICAL CLEARANCES SHOWN OCCUR DURING MAXIMUM VARIATIONS OF AIRPLANE ATTITUDE. COMBINATIONS OF AIRPLANE LOADING AND UNLOADING ACTIVITIES THAT PRODUCE THE GREATEST POSSIBLE VARIATIONS IN ATTITUDE WERE USED TO ESTABLISH THE VARIATIONS SHOWN.

* NOMINAL DIMENSIONS

2.3.2 GROUND CLEARANCES
MODEL 757-300

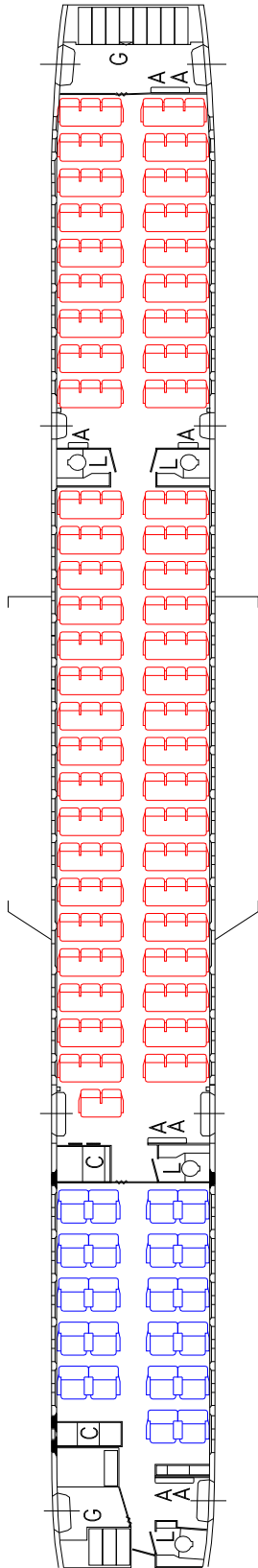
D6-58327



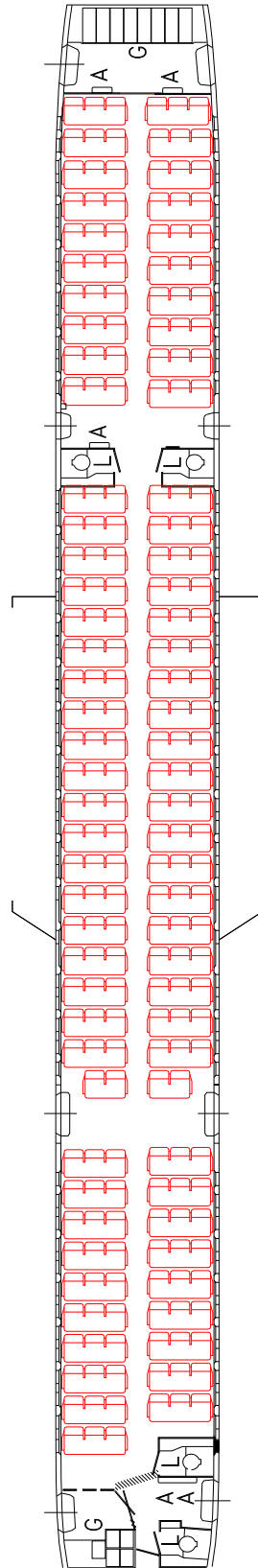
2.4.1 INTERIOR ARRANGEMENTS - OVERWING-EXIT AIRPLANE
 MODEL 757-200

D6-58327

JUNE 1999 17



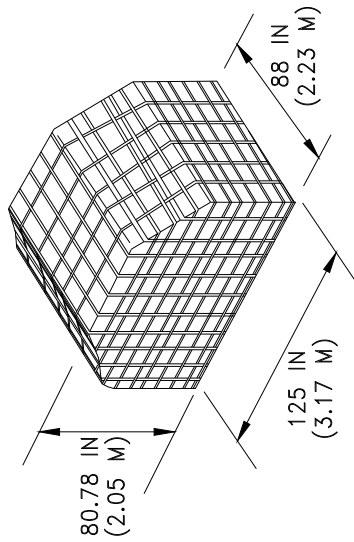
DUAL CLASS ARRANGEMENT - 180 SEATS
 22 FIRST CLASS SEATS
 158 ECONOMY CLASS SEATS



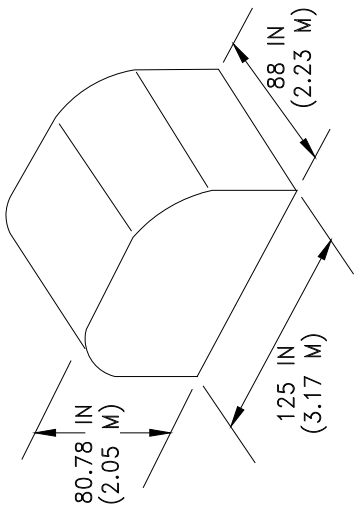
SINGLE CLASS ARRANGEMENT
 228 ECONOMY CLASS SEATS

G GALLEY
 L LAVATORY
 A ATTENDANT
 C CLOSET

2.4.2 INTERIOR ARRANGEMENTS - FOUR-DOOR AIRPLANE
 MODEL 757-200



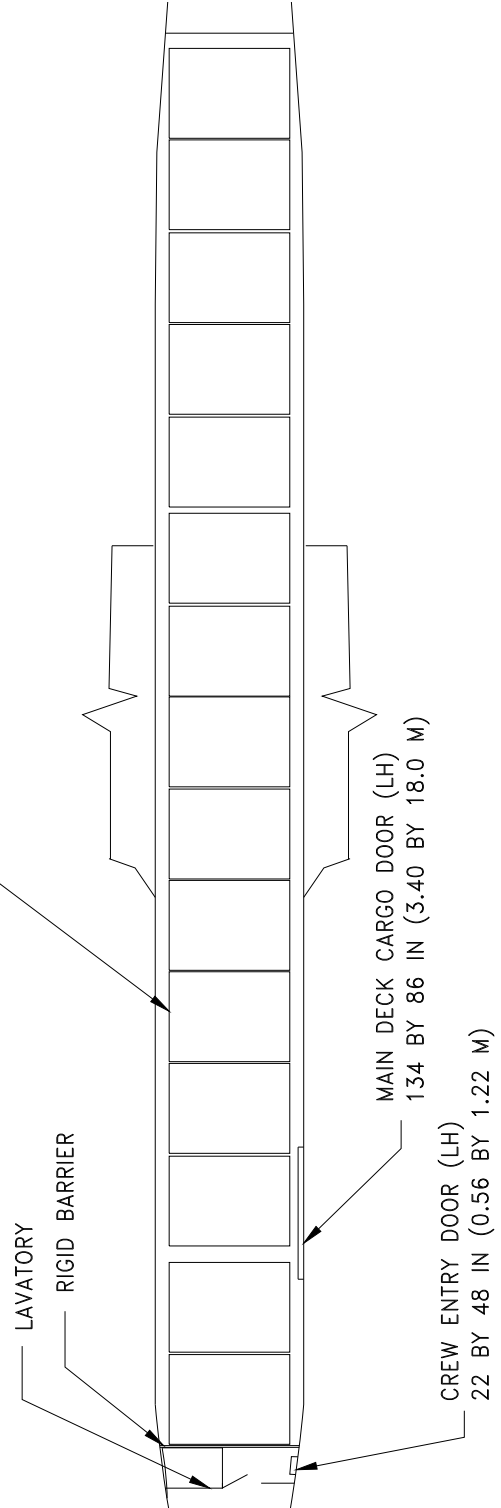
STRAPPED PALLET
UP TO 440 CU FT



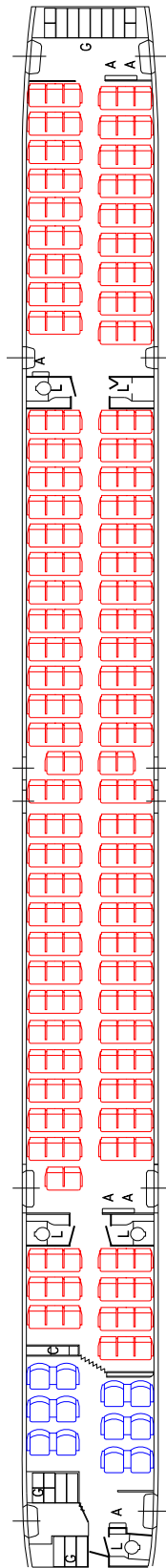
440 CU FT (12.47 CU M)
CONTAINER

ULD DATA

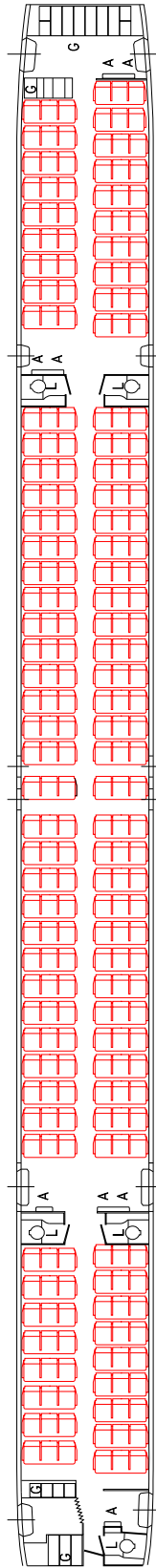
15 UNIT LOAD DEVICES
(ULD)



2.4.3 INTERIOR ARRANGEMENTS - MAIN DECK CARGO
MODEL 757-200PF



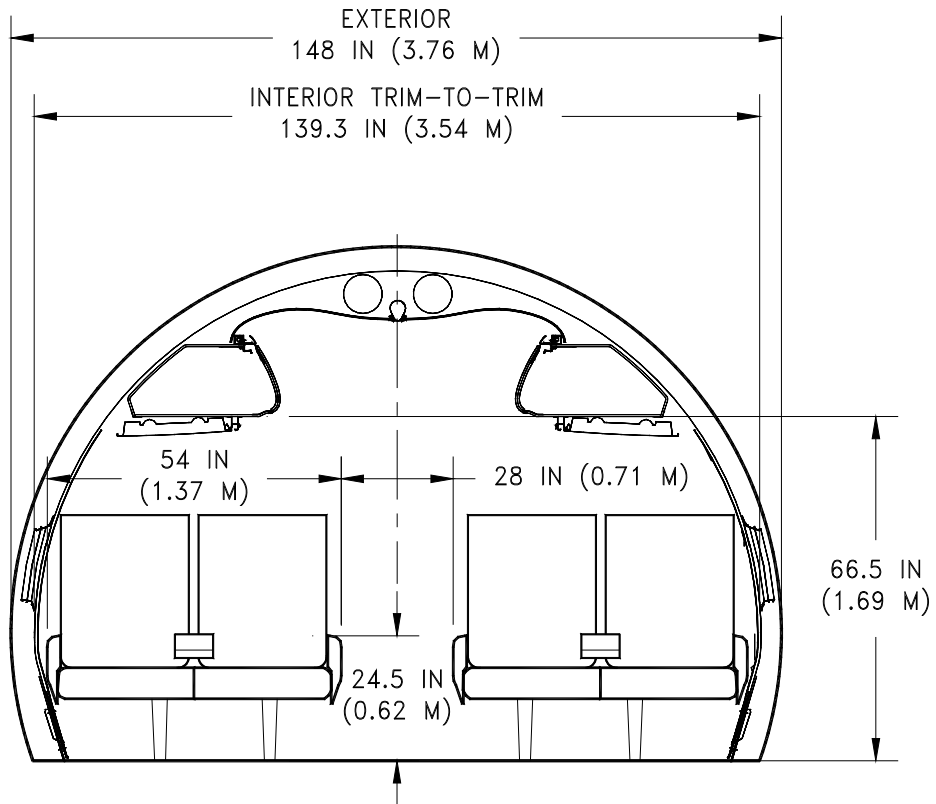
DUAL CLASS ARRANGEMENT - 243 SEATS
 12 FIRST CLASS SEATS
 231 ECONOMY CLASS SEATS



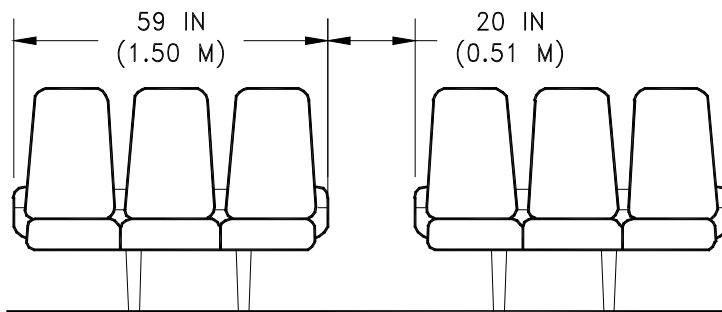
SINGLE CLASS ARRANGEMENT
 279 ECONOMY CLASS SEATS

G GALLEY L LAVATORY A ATTENDANT

2.4.4 INTERIOR ARRANGEMENTS
 MODEL 757-300



FIRST CLASS



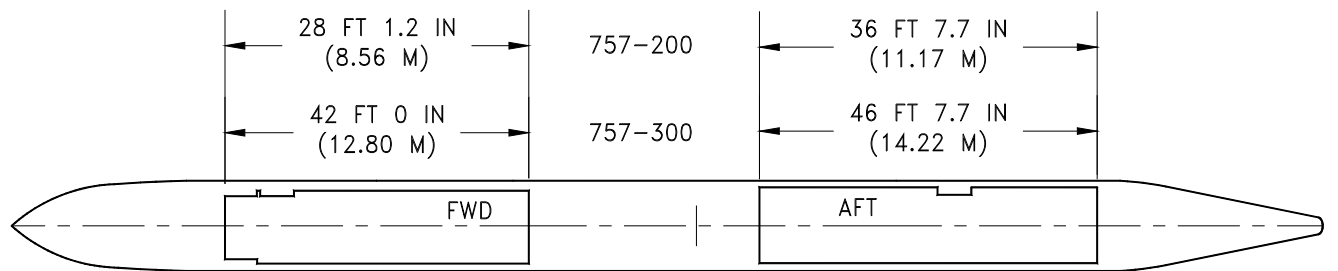
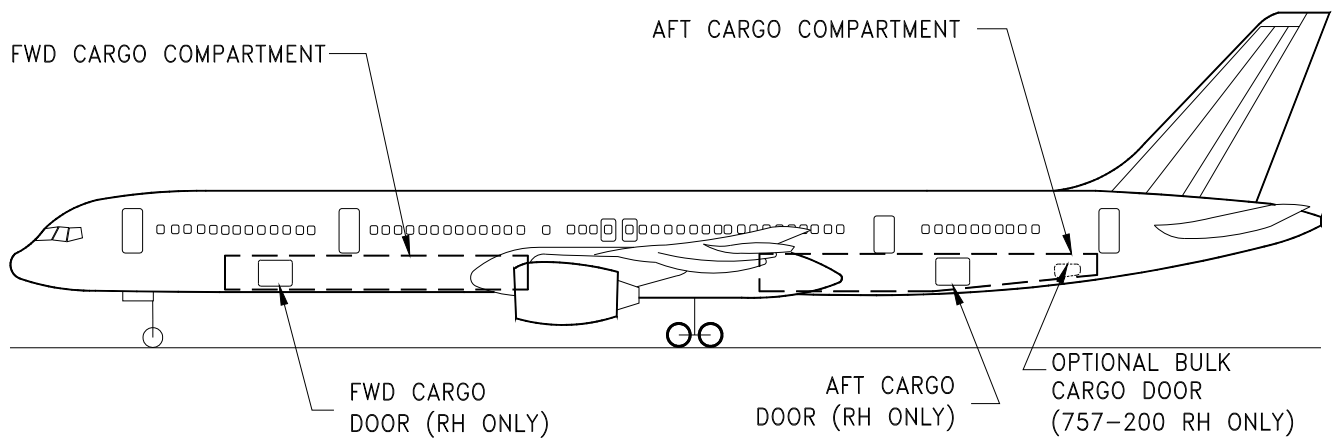
ECONOMY CLASS

2.5 CABIN CROSS-SECTIONS

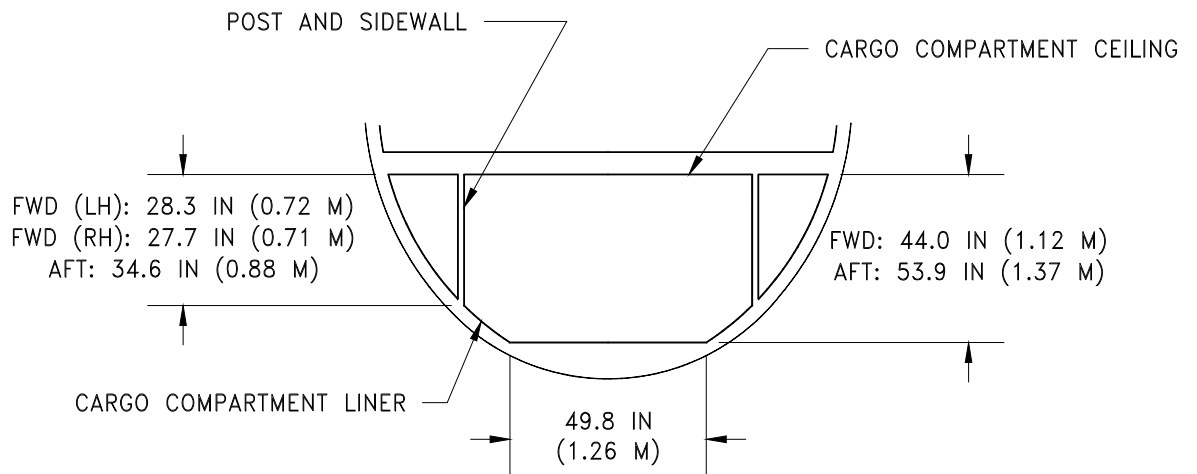
MODEL 757-200, -300

D6-58327

JUNE 1999 21



PLAN VIEW



CROSS-SECTION

2.6.1 LOWER CARGO COMPARTMENTS - BULK CARGO CAPACITIES

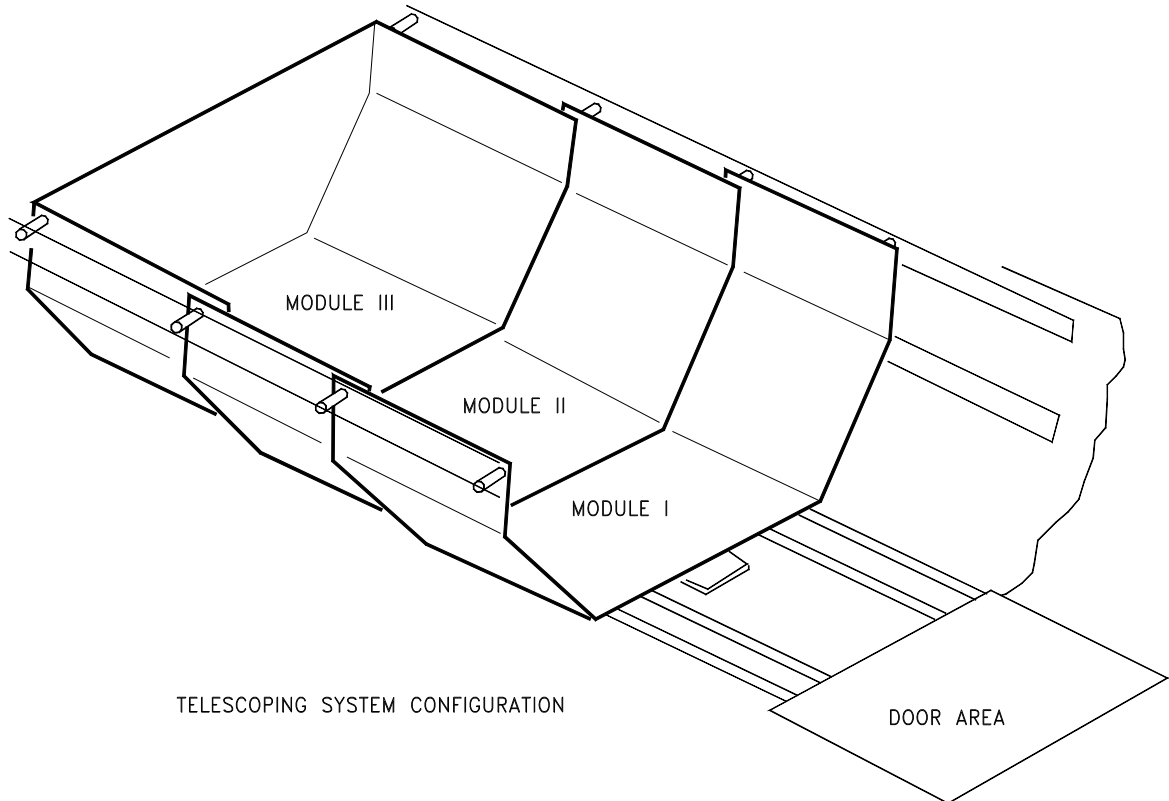
MODEL 757-200, -300

D6-58327

22 JUNE 1999

Not Subject to EAR or ITAR.
Copyright © 2023 Boeing. All Rights Reserved.

- SYSTEM AVAILABLE IN EITHER OR BOTH CARGO COMPARTMENTS
- FORWARD CARGO COMPARTMENT USES A THREE-MODULE SYSTEM AFT OF THE CARGO DOOR
- AFT CARGO COMPARTMENT USES A TWO-MODULE SYSTEM FORWARD OF THE CARGO DOOR



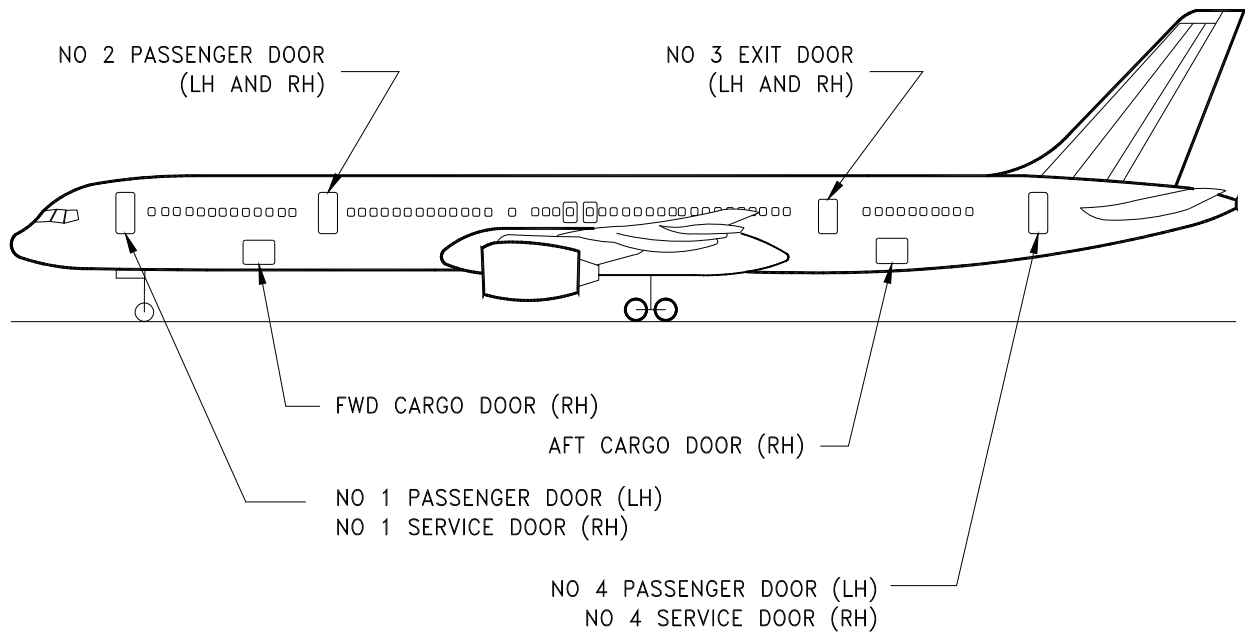
| | | BULK CARGO CAPACITIES - TELESCOPING SYSTEM | | | | TOTAL(1) |
|--------|-------|--|------------|-----------------|------------|----------|
| | | FWD COMPARTMENT | | AFT COMPARTMENT | | |
| | | 3 MODULES | ADD'L BULK | 2 MODULES | ADD'L BULK | |
| VOLUME | CU FT | 420 | 220 | 420 | 630 | 1,690 |
| | CU M | 11.9 | 6.2 | 11.9 | 17.8 | 47.8 |

NOTE: (1) OPTIONAL THIRD CARGO DOOR REDUCES VOLUME BY 100 CU FT

2.6.2 LOWER CARGO COMPARTMENTS - OPTIONAL TELESCOPING BAGGAGE SYSTEM
 MODEL 757-200, -200PF

D6-58327

JUNE 1999 23



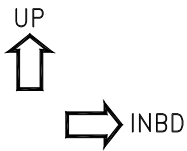
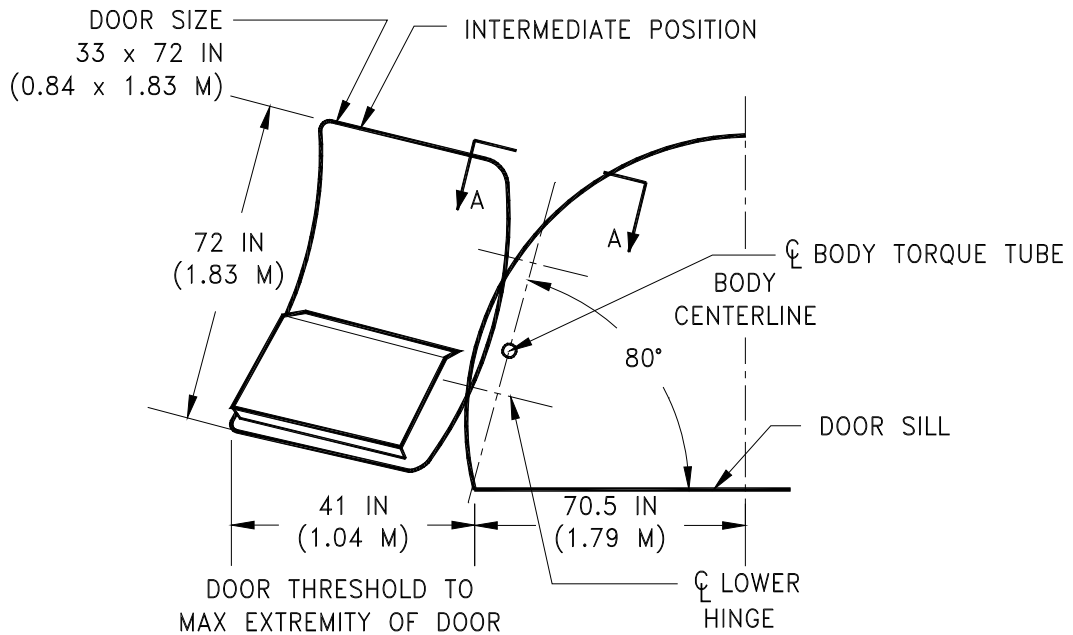
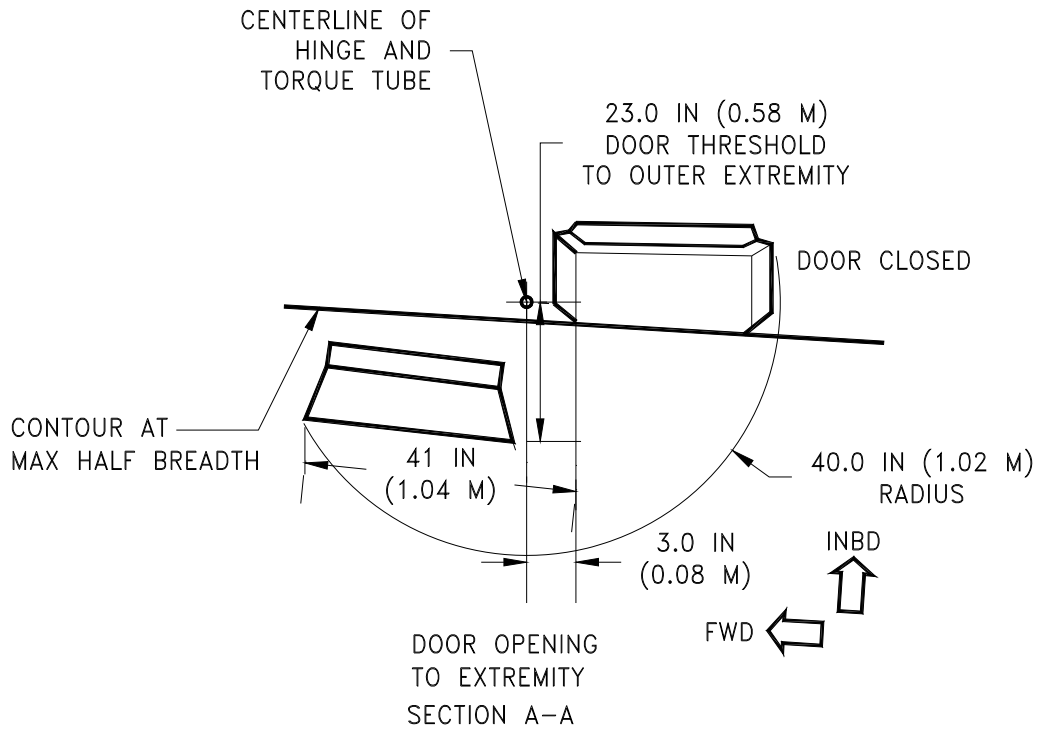
| DOOR NAME | DISTANCE FROM NOSE(1) - 757-200 | DISTANCE FROM NOSE(1) - 757-300 | DOOR OPENING SIZE |
|--------------------------------|---------------------------------|---------------------------------|--------------------------------|
| NO. 1 PASSENGER DOOR (LH) | 16 FT 7 IN (5.05 M) | 16 FT 7 IN (5.05 M) | 33 BY 72 IN (0.84 BY 1.83 M) |
| NO. 1 SERVICE DOOR (RH) | 15 FT 8 IN (4.78 M) | 15 FT 8 IN (4.78 M) | 30 BY 65 IN (0.76 BY 1.65 M) |
| NO. 2 PASSENGER DOOR (LH & RH) | 45 FT 11 IN (13.99 M) | 45 FT 11 IN (13.99 M) | 33 BY 72 IN (0.84 BY 1.83 M) |
| NO. 3 EXIT DOOR (LH & RH) | (N/A) | 121 FT 4 IN (35.99 M) | 24 BY 44 IN (0.61 BY 1.18 M) |
| NO. 4 PASSENGER DOOR (LH & RH) | 125 FT 5 IN (38.23 M) | 148 FT 9 IN (45.34 M) | 30 BY 72 IN (0.76 BY 1.83 M) |
| FWD CARGO DOOR (RH) | 35 FT 11 IN (10.95 M) | 35 FT 11 IN (10.95 M) | 55 BY 42.5 IN (1.40 BY 1.08 M) |
| AFT CARGO DOOR (RH) | 104 FT 3 IN (31.78 M) | 127 FT 7 IN (38.89 M) | 55 BY 45 IN (1.40 BY 1.14 M) |
| BULK CARGO DOOR (2) | 117 FT 3 IN (35.74 M) | (N/A) | 48 BY 32 IN (1.22 BY 0.81 M) |

NOTES (1) LONGITUDINAL DISTANCE FROM NOSE TO CENTER OF DOOR

(2) EARLY PRODUCTION 757-200 AIRPLANES ONLY

2.7.1 DOOR CLEARANCES - PASSENGER, SERVICE, AND CARGO DOOR LOCATIONS
 MODEL 757-200, -300

D6-58327

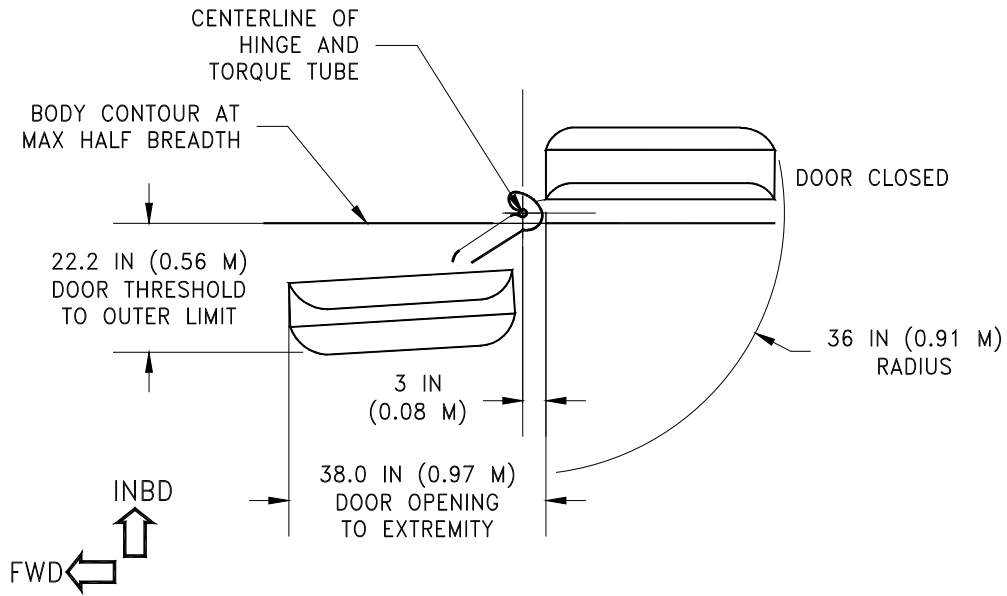


VIEW LOOKING FORWARD AT PASSENGER DOOR NO 1 (LH SHOWN)

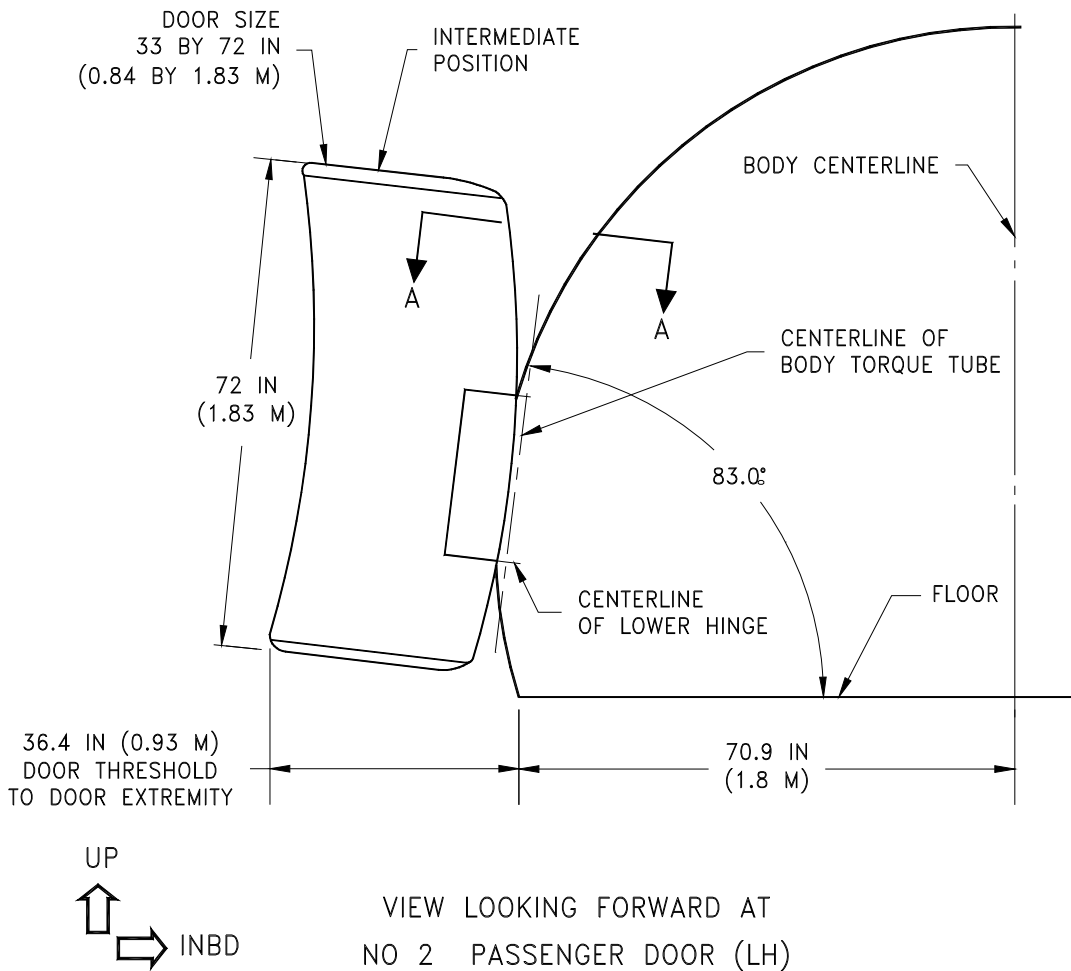
2.7.2 DOOR CLEARANCES - MAIN DECK DOOR NO 1
 MODEL 757-200, -300

D6-58327

JUNE 1999 25

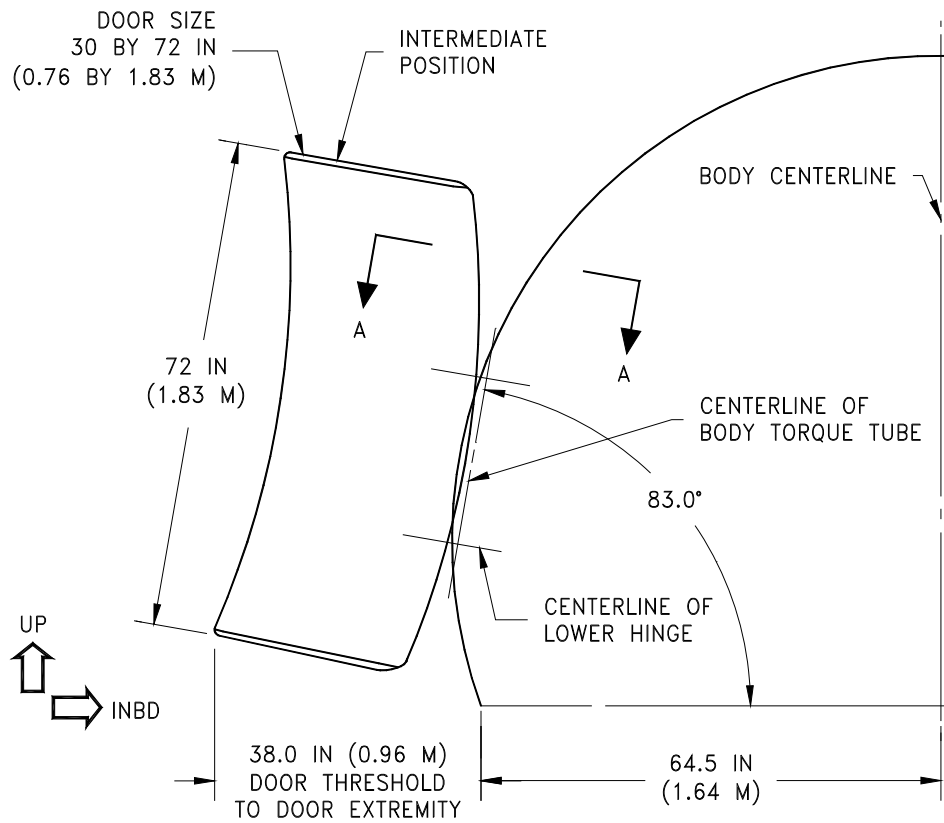
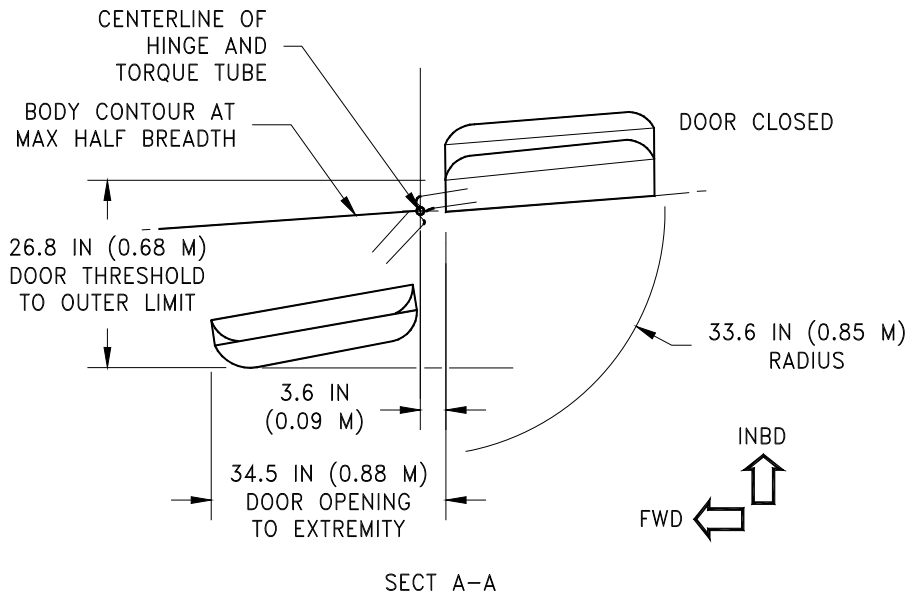


SECT A-A



2.7.3 DOOR CLEARANCES - MAIN DECK DOOR NO 2
 MODEL 757-200, -300

D6-58327

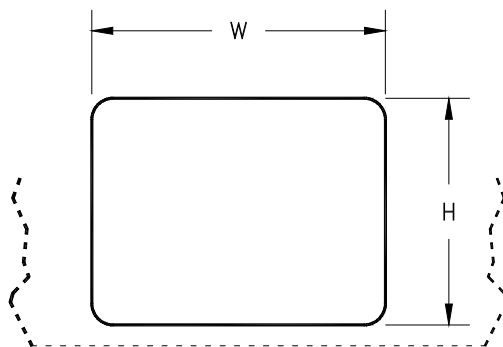
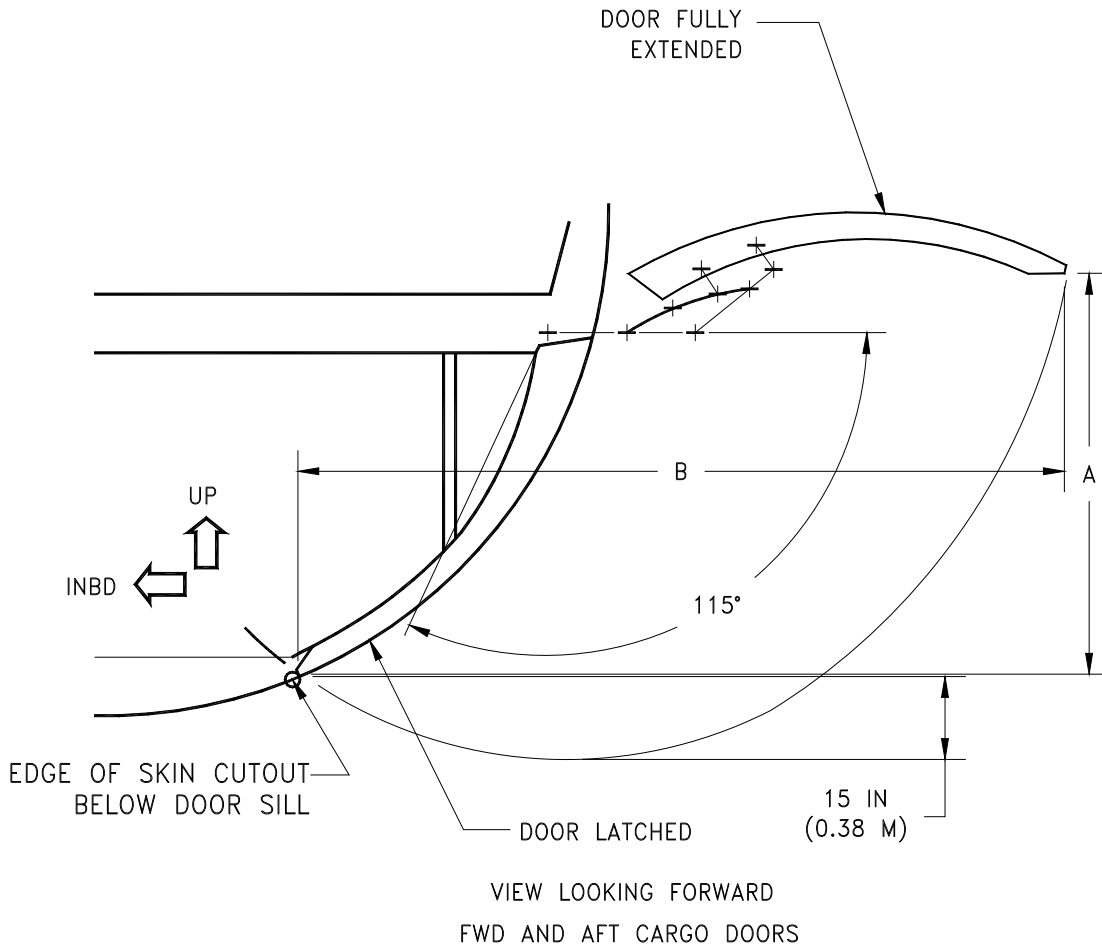


VIEW LOOKING FORWARD AT
NO 4 PASSENGER DOOR (LH)

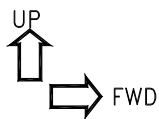
2.7.4 DOOR CLEARANCES - MAIN DECK DOOR NO 4
MODEL 757-200, -300

D6-58327

JUNE 1999 27

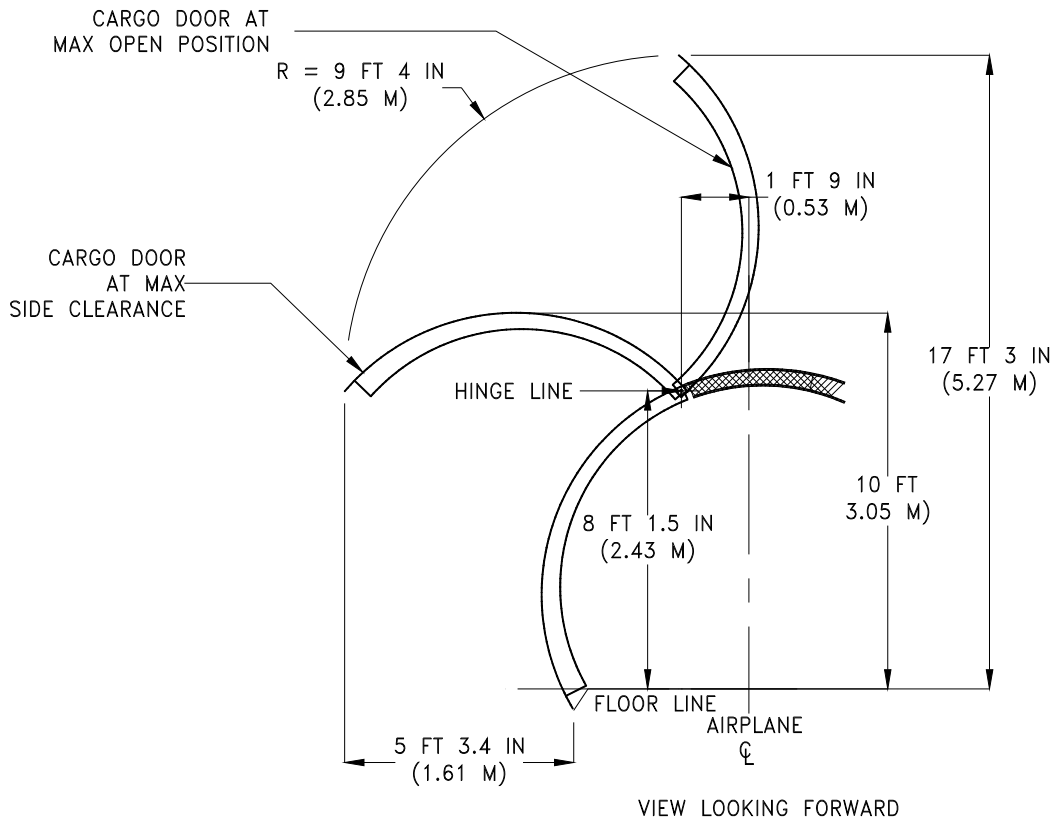
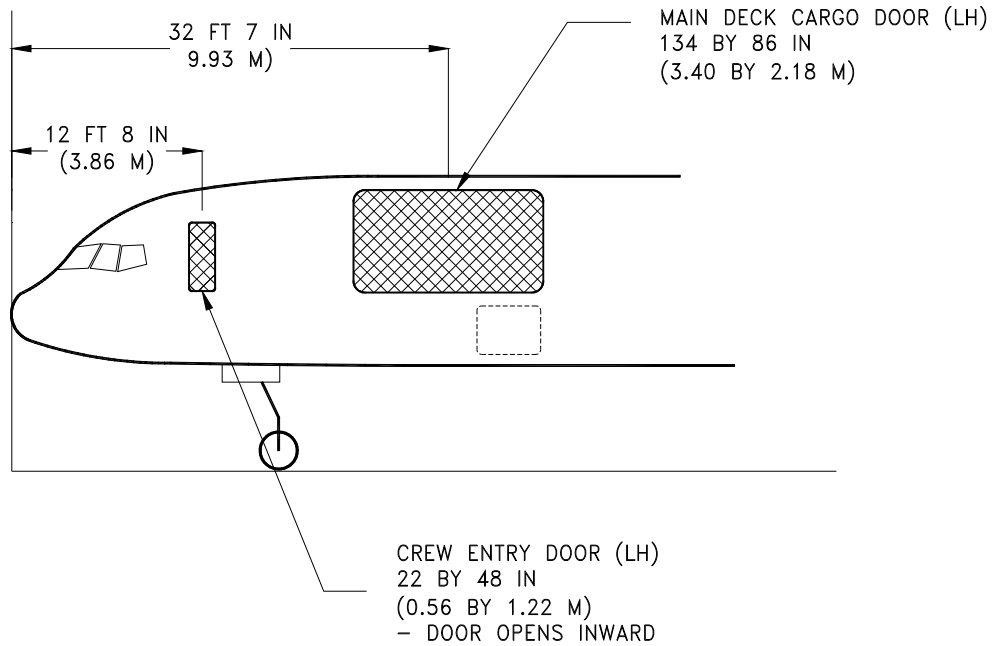


RIGHT SIDE VIEW
FWD & AFT CARGO DOORS



| | W WIDTH | H HEIGHT | A VERTICAL | B LATERAL |
|-------------------|---------------------|---------------------|---------------------|----------------------|
| FWD CARGO DOOR | 55.0 IN (1.40 M) | 42.5 IN (1.08 M) | 57.0 IN (1.45 M) | 111.1 IN (2.82 M) |
| AFT CARGO DOOR | 55.0 IN (1.40 M) | 45.0 IN (1.14 M) | 61.0 IN (1.55 M) | 111.3 IN (2.83 M) |

2.7.5 DOOR CLEARANCES - CARGO DOORS
MODEL 757-200, -300



2.7.6 DOOR CLEARANCES - MAIN DECK DOORS
MODEL 757-200PF

D6-58327

JUNE 1999 29

THIS PAGE INTENTIONALLY LEFT BLANK

3.0 AIRPLANE PERFORMANCE

3.1 General Information

3.2 Payload/Range for Long-Range Cruise

3.3 F.A.R. and J.A.R. Takeoff Runway Length Requirements

3.4 F.A.R. Landing Runway Length Requirements

3.0 AIRPLANE PERFORMANCE

3.1 General Information

The graphs in Section 3.2 provide information on operational empty weight (OEW) and payload, trip range, brake release gross weight, and fuel limits. To use this graph, if the trip range and zero fuel weight (OEW + payload) are known, the approximate brake release weight can be found, limited by fuel quantity.

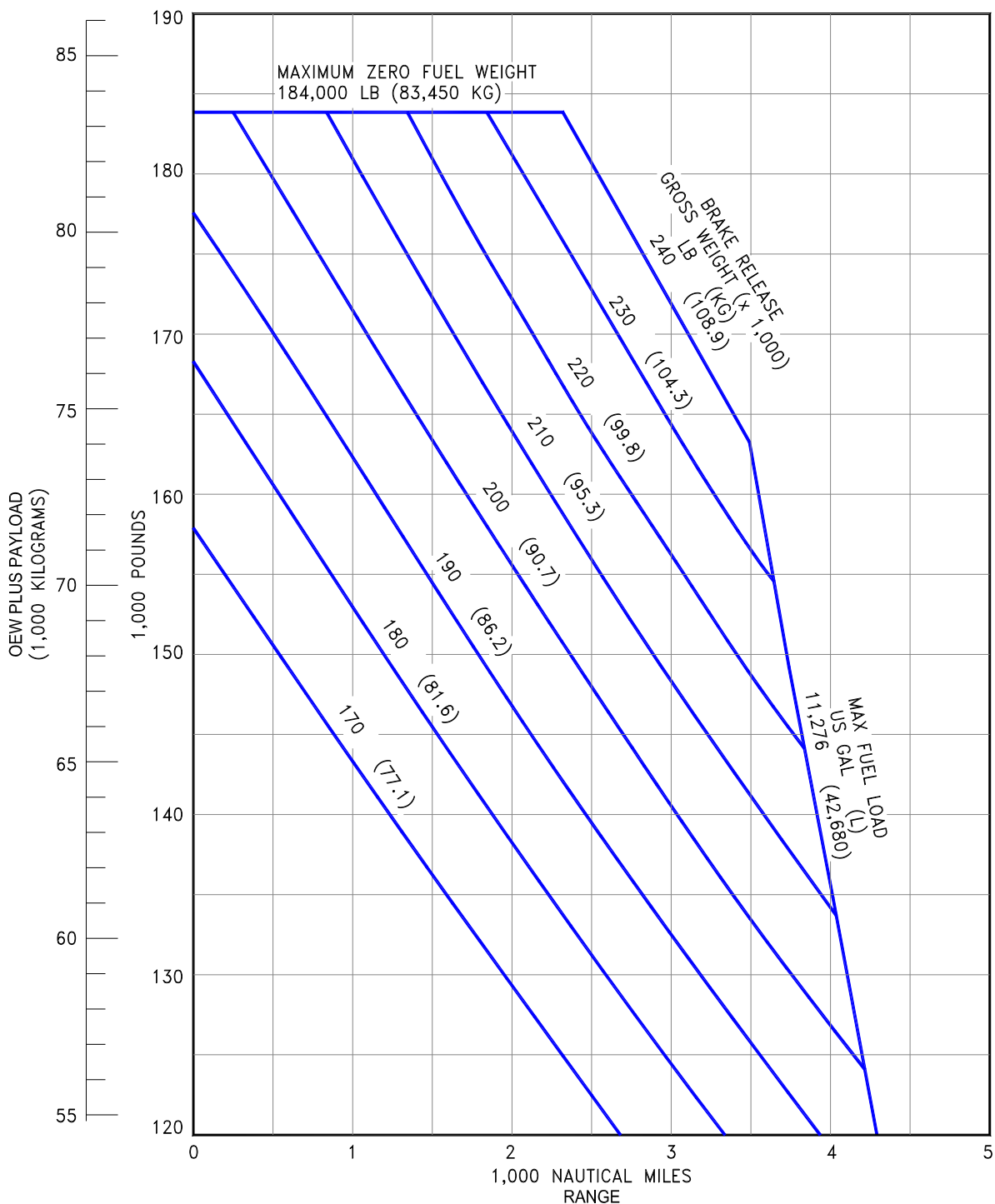
The graphs in Section 3.3 provide information on F.A.R. takeoff runway length requirements with typical engines at different pressure altitudes. Maximum takeoff weights shown on the graphs are the heaviest for the particular airplane models with the corresponding engines. Standard day temperatures for pressure altitudes shown on the F.A.R. takeoff graphs are given below:

| PRESSURE ALTITUDE | | STANDARD DAY TEMP | |
|-------------------|--------|-------------------|-------|
| FEET | METERS | °F | °C |
| 0 | 0 | 59.0 | 15.00 |
| 2,000 | 609 | 51.9 | 11.04 |
| 4,000 | 1,219 | 44.7 | 7.06 |
| 6,000 | 1,828 | 37.6 | 3.11 |
| 8,000 | 2,438 | 30.5 | -0.85 |

Wet runway performance for the 757-300 airplane is shown in accordance with JAR-OPS 1 Subpart F, with wet runways defined in Paragraph 1.480(a)(10). Skid-resistant runways (grooved or PFC treated) per FAA or ICAO specifications exhibit runway length requirements that remove some or all of the length penalties associated with wet smooth (non-grooved) runways. Under predominantly wet conditions, the wet runway performance characteristics may be used to determine runway length requirements, if it is longer than the dry runway performance requirements. This is not required for the 757-200 airplanes.

The graphs in Section 3.4 provides information on landing runway length requirements for different airplane weights and airport altitudes. The maximum landing weights shown are the heaviest for the particular airplane model.

- NOTES:
- * 0.80 MACH AT 35,000 AND 39,000 FT (10,668 AND 11,887 M)
 - * ATA DOMESTIC RESERVES
 - * STANDARD DAY
 - * NOMINAL PERFORMANCE
 - * CONSULT USING AIRLINE FOR SPECIFIC OPERATING PROCEDURE PRIOR TO FACILITY DESIGN



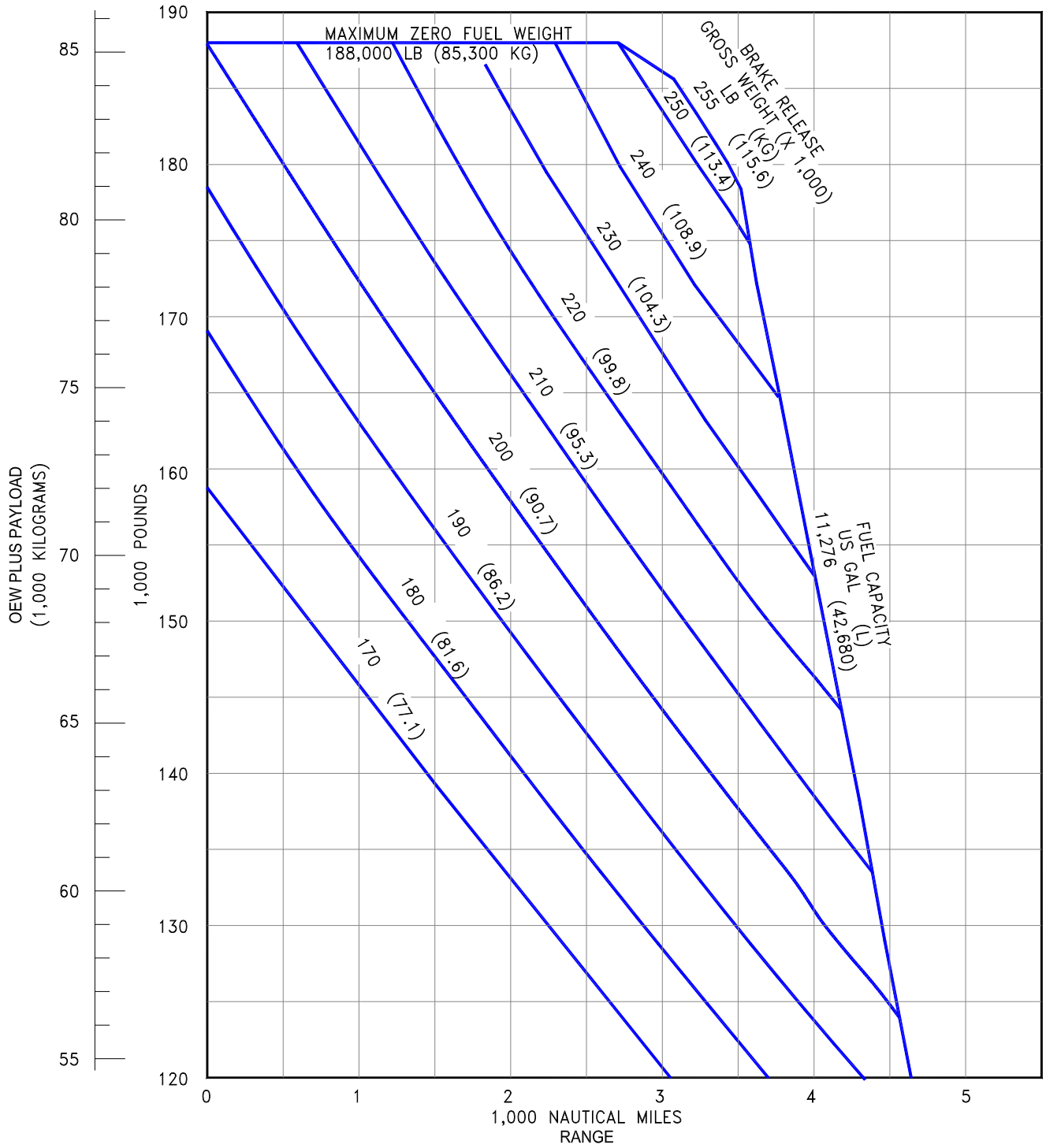
3.2.1. PAYLOAD/RANGE FOR LONG-RANGE CRUISE
 MODEL 757-200 (RB211-535C ENGINES)

D6-58327

JUNE 1999 33

NOTES:

- * 0.80 MACH AT 35,000 AND 39,000 FT (10,668 AND 11,887 M)
- * ATA DOMESTIC RESERVES
- * STANDARD DAY
- * NOMINAL PERFORMANCE
- * CONSULT USING AIRLINE FOR SPECIFIC OPERATING PROCEDURE PRIOR TO FACILITY DESIGN



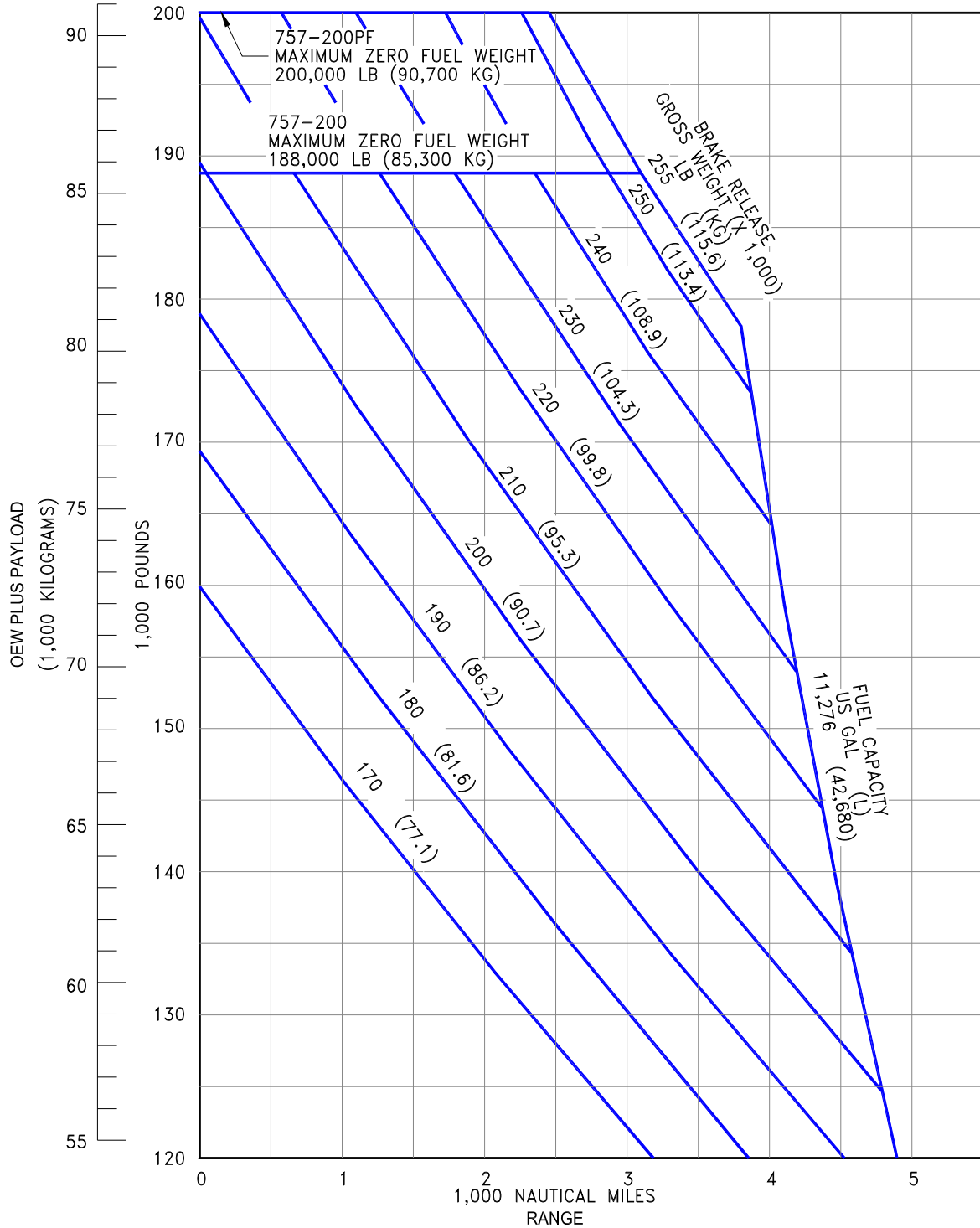
3.2.2. PAYLOAD/RANGE FOR LONG-RANGE CRUISE

MODEL 757-200 (RB211-53E4, -535E4B ENGINES)

D6-58327

NOTES:

- * 0.80 MACH AT 35,000 AND 39,000 FT (10,668 AND 11,887 M)
- * ATA DOMESTIC RESERVES
- * STANDARD DAY
- * NOMINAL PERFORMANCE
- * CONSULT USING AIRLINE FOR SPECIFIC OPERATING PROCEDURES PRIOR TO FACILITY DESIGN



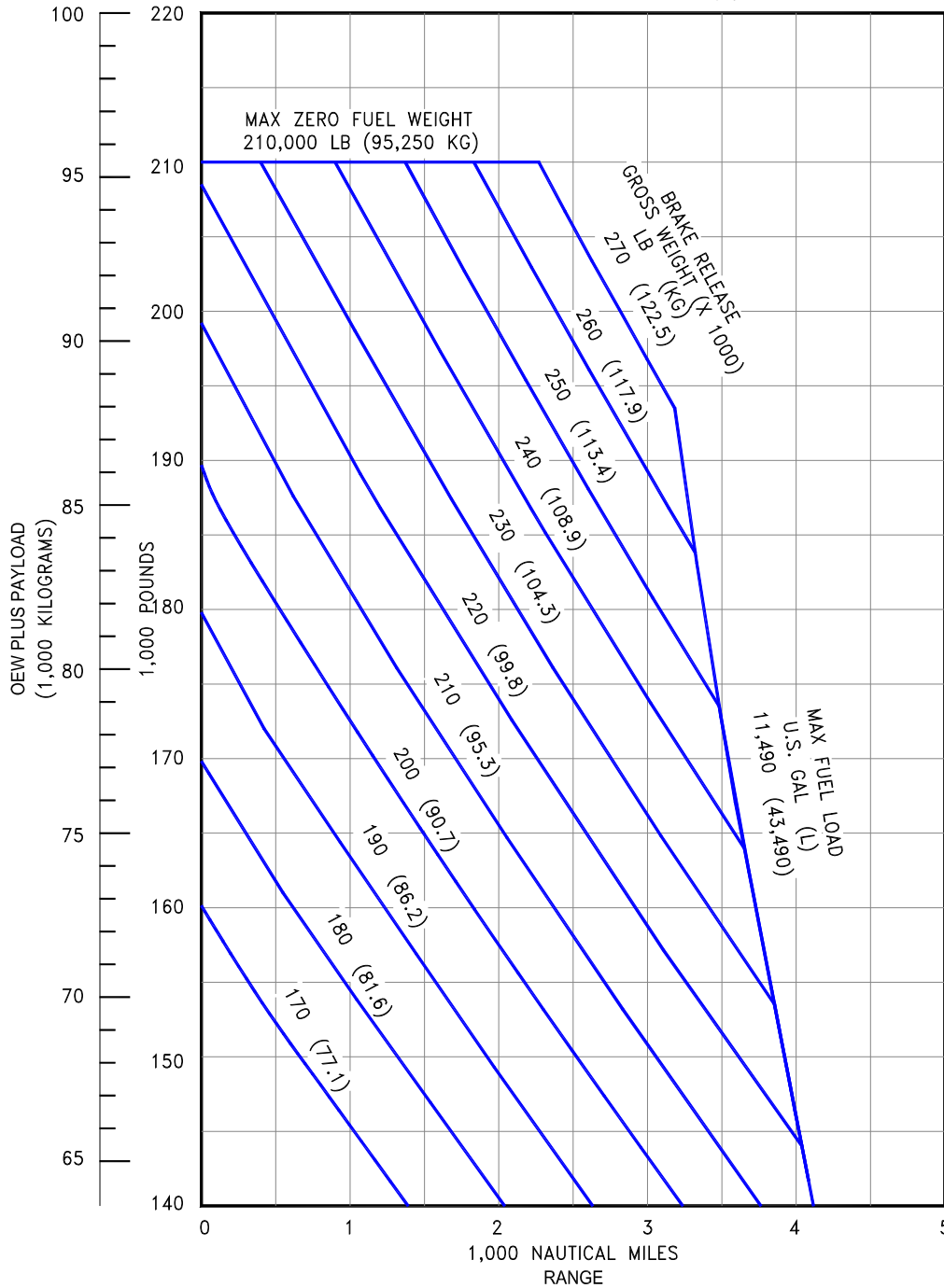
3.2.3. PAYLOAD/RANGE FOR LONG-RANGE CRUISE
 MODEL 757-200, -200PF (PW2037, PW2040 ENGINES)

D6-58327

JUNE 1999 35

NOTES:

- * 31-35-39,000 FT STEP CRUISE
- * CRUISE MACH = 0.80
- * STANDARD DAY
- * 200 NMI ALTERNATE
- * TYPICAL MISSION RESERVES
- * NOMINAL PERFORMANCE
- * CONSULT USING AIRLINE FOR SPECIFIC OPERATING PROCEDURE PRIOR TO FACILITY DESIGN

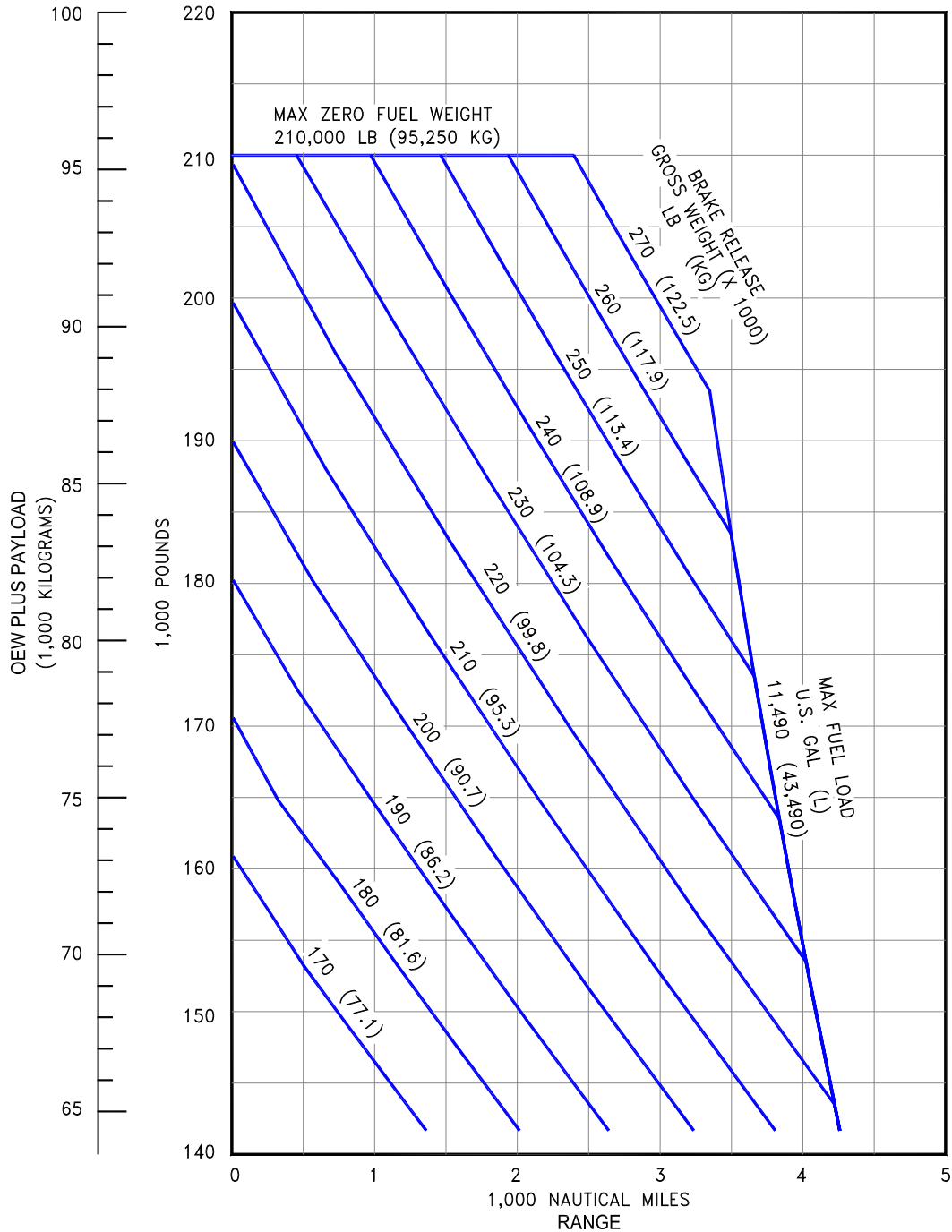


3.2.4. PAYLOAD/RANGE FOR 0.80 MACH CRUISE
 MODEL 757-300 (RB211-535E4, -535E4B ENGINES)

D6-58327

NOTES:

- * 31-35-39,000 FT STEP CRUISE
- * CRUISE MACH = 0.80
- * STANDARD DAY
- * 200 NMI ALTERNATE
- * TYPICAL MISSION RESERVES
- * NOMINAL PERFORMANCE
- * CONSULT USING AIRLINE FOR SPECIFIC OPERATING PROCEDURE PRIOR TO FACILITY DESIGN



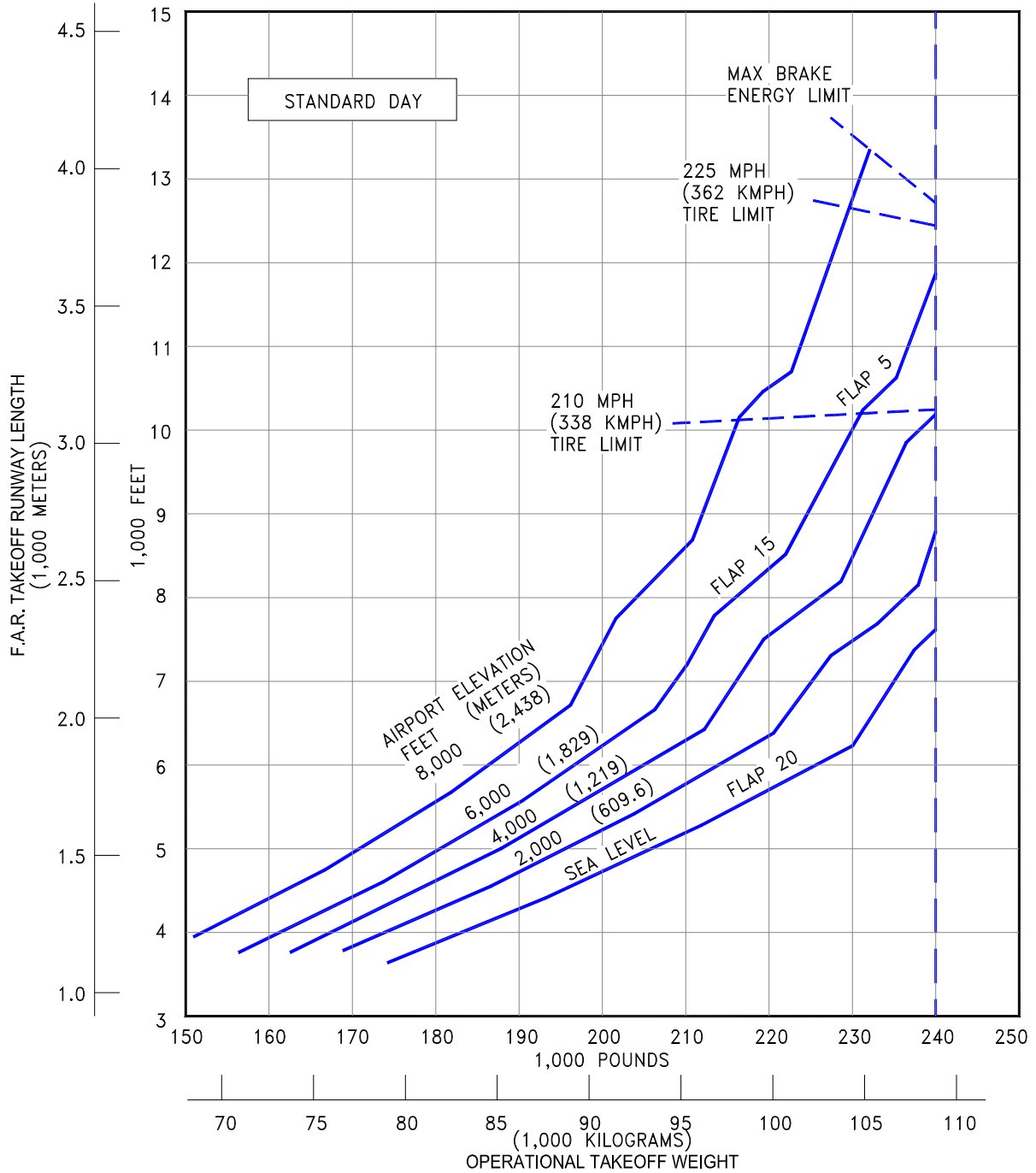
3.2.5. PAYLOAD/RANGE FOR 0.80 MACH CRUISE
 MODEL 757-300 (PW2040, PW2043 ENGINES)

D6-58327

AUGUST 2002 37

NOTES:

- * RB211-535C ENGINES
- * NO ENGINE AIRBLEED FOR AIR CONDITIONING
- * ZERO WIND, ZERO RUNWAY GRADIENT
- * CONSULT USING AIRLINE FOR SPECIFIC OPERATING PROCEDURE PRIOR TO FACILITY DESIGN
- * LINEAR INTERPOLATION BETWEEN ALTITUDES INVALID
- * LINEAR INTERPOLATION BETWEEN TEMPERATURES INVALID
- * NOMINAL PERFORMANCE

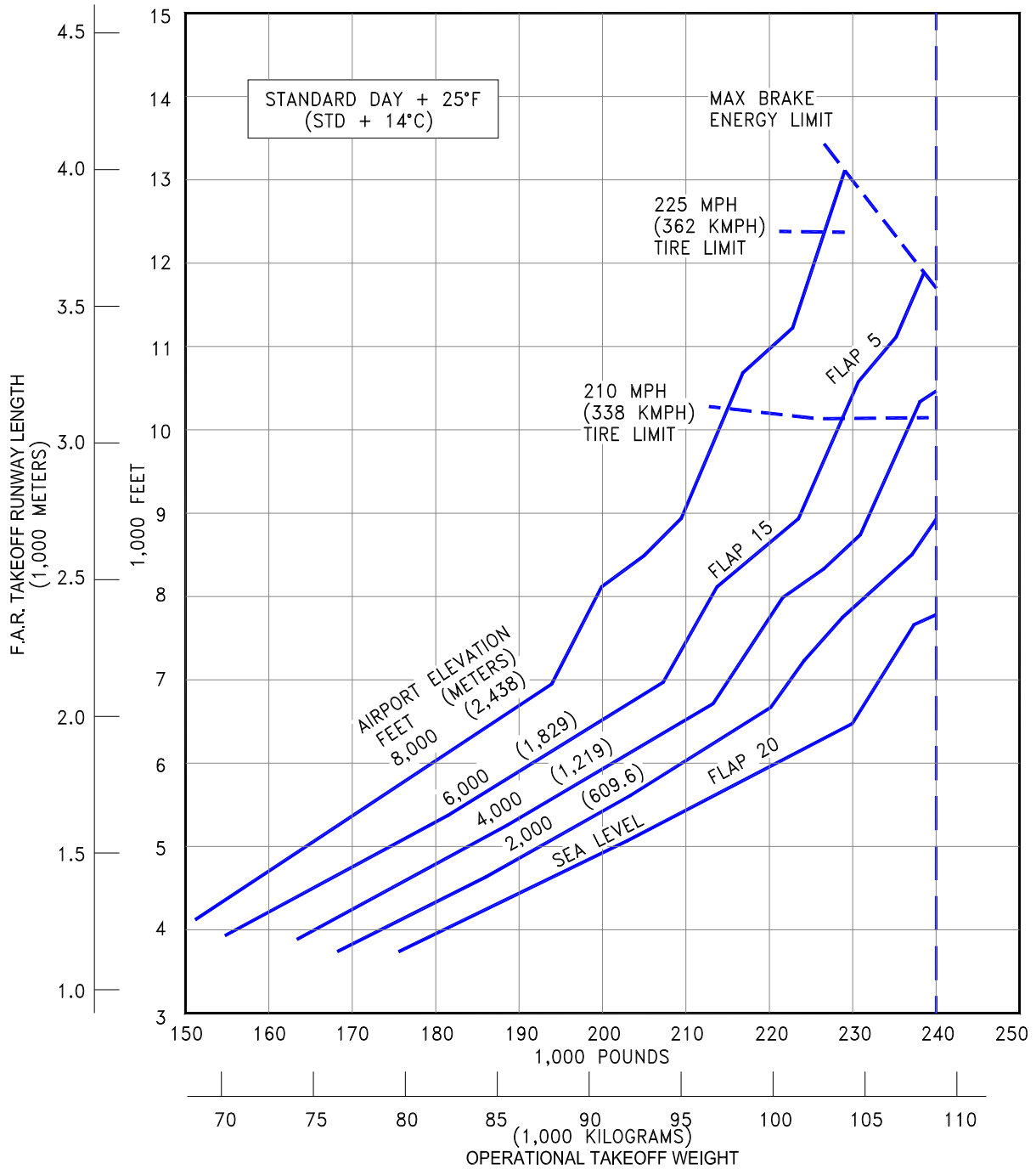


3.3.1 F.A.R. TAKEOFF RUNWAY LENGTH REQUIREMENTS - STANDARD DAY
 MODEL 757-200 (RB211-535C ENGINES)

D6-58327

NOTES:

- * RB211-535C ENGINES
- * NO ENGINE AIRBLEED FOR AIR CONDITIONING
- * ZERO WIND, ZERO RUNWAY GRADIENT
- * CONSULT USING AIRLINE FOR SPECIFIC OPERATING PROCEDURE PRIOR TO FACILITY DESIGN
- * LINEAR INTERPOLATION BETWEEN ALTITUDES INVALID
- * LINEAR INTERPOLATION BETWEEN TEMPERATURES INVALID
- * NOMINAL PERFORMANCE



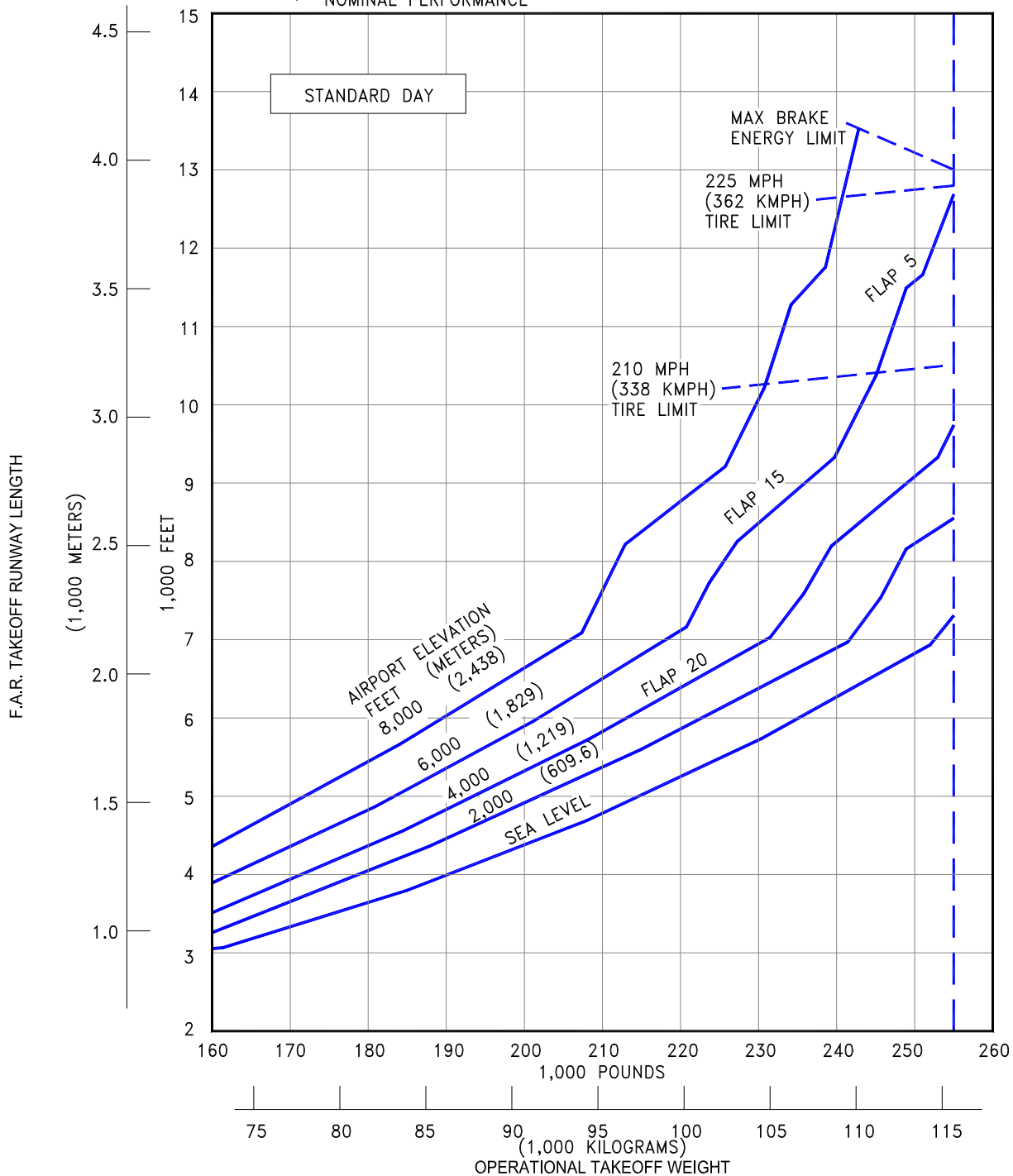
**3.3.2 F.A.R. TAKEOFF RUNWAY LENGTH REQUIREMENTS -
STANDARD DAY +25°F (STD + 14°C)
MODEL 757-200 (RB211-535C ENGINES)**

D6-58327

JUNE 1999 39

NOTES:

- * RB211-535E4 ENGINES
- * NO ENGINE AIRBLEED FOR AIR CONDITIONING
- * ZERO WIND, ZERO RUNWAY GRADIENT
- * CONSULT USING AIRLINE FOR SPECIFIC OPERATING PROCEDURE PRIOR TO FACILITY DESIGN
- * LINEAR INTERPOLATION BETWEEN ALTITUDES INVALID
- * LINEAR INTERPOLATION BETWEEN TEMPERATURES INVALID
- * NOMINAL PERFORMANCE

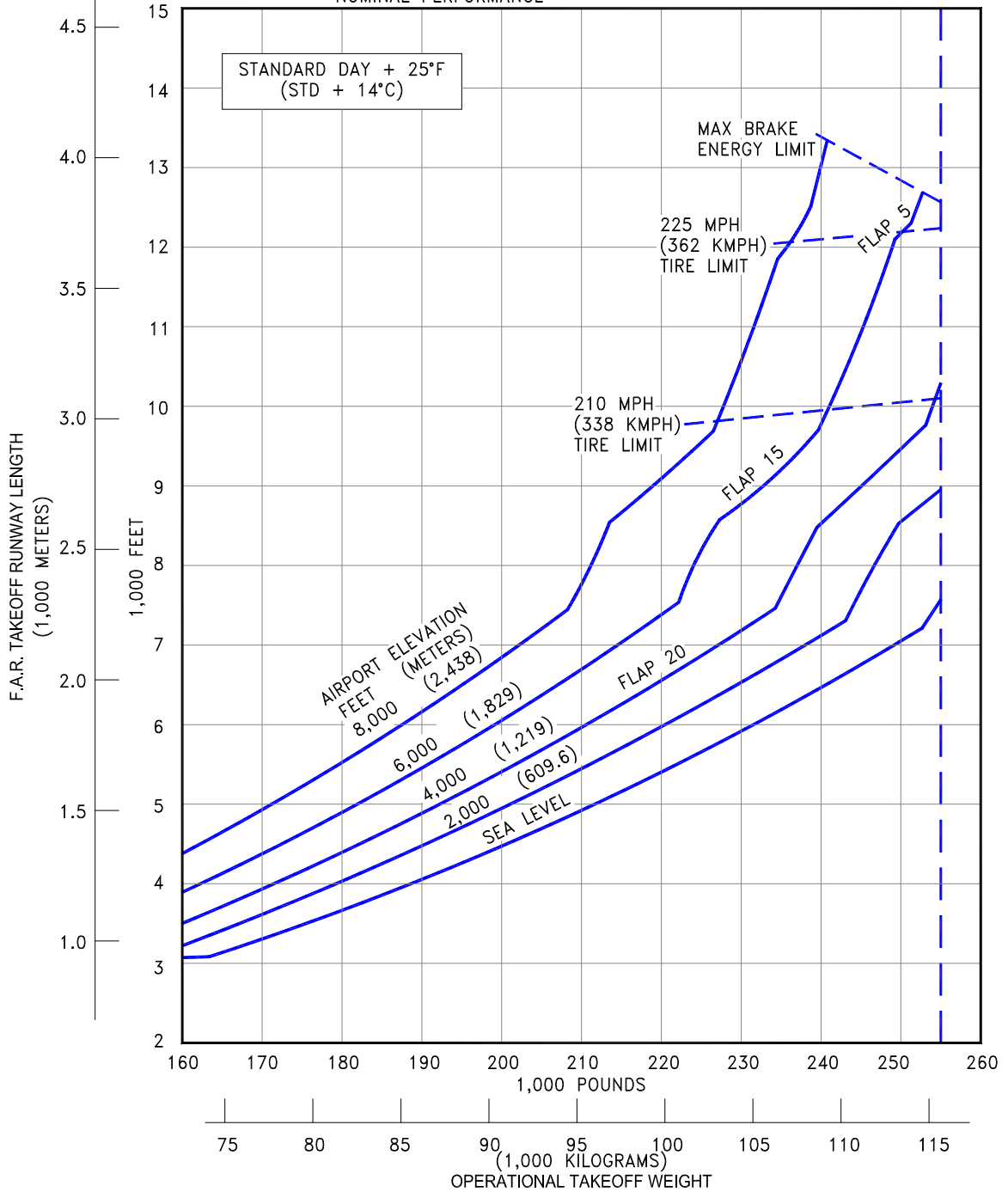


3.3.3 F.A.R. TAKEOFF RUNWAY LENGTH REQUIREMENTS - STANDARD DAY
 MODEL 757-200 (RB211-535E4 ENGINES)

D6-58327

NOTES:

- * RB211-535E4 ENGINES
- * NO ENGINE AIRBLEED FOR AIR CONDITIONING
- * ZERO WIND, ZERO RUNWAY GRADIENT
- * CONSULT USING AIRLINE FOR SPECIFIC OPERATING PROCEDURE PRIOR TO FACILITY DESIGN
- * LINEAR INTERPOLATION BETWEEN ALTITUDES INVALID
- * LINEAR INTERPOLATION BETWEEN TEMPERATURES INVALID
- * NOMINAL PERFORMANCE



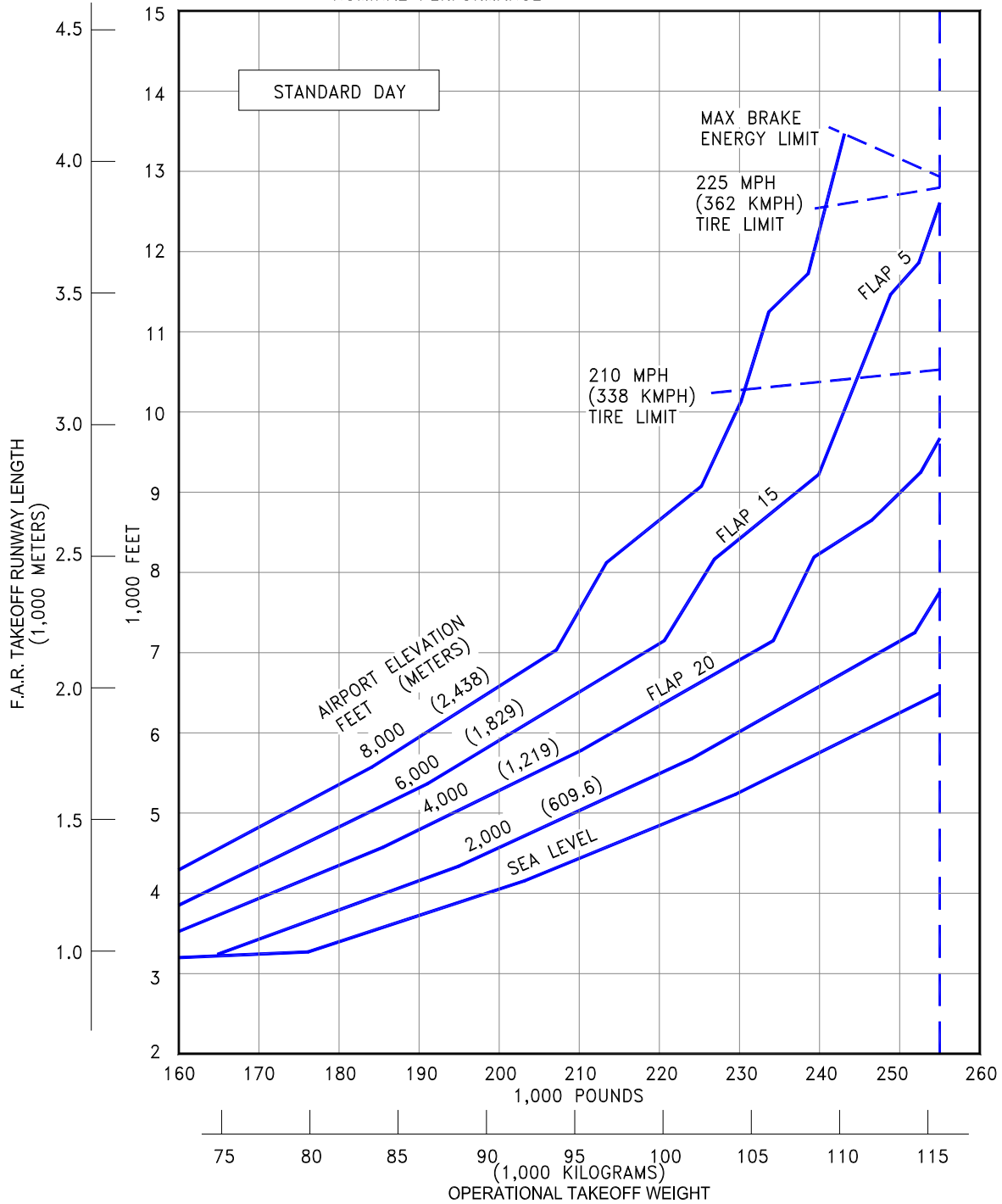
**3.3.4 F.A.R. TAKEOFF RUNWAY LENGTH REQUIREMENTS -
STANDARD DAY +25°F (STD + 14°C)
MODEL 757-200 (RB211-535E4 ENGINES)**

D6-58327

JUNE 1999 41

NOTES:

- * RB211-535E4B ENGINES
- * NO ENGINE AIRBLEED FOR AIR CONDITIONING
- * ZERO WIND, ZERO RUNWAY GRADIENT
- * CONSULT USING AIRLINE FOR SPECIFIC OPERATING PROCEDURE PRIOR TO FACILITY DESIGN
- * LINEAR INTERPOLATION BETWEEN ALTITUDES INVALID
- * LINEAR INTERPOLATION BETWEEN TEMPERATURES INVALID
- * NOMINAL PERFORMANCE

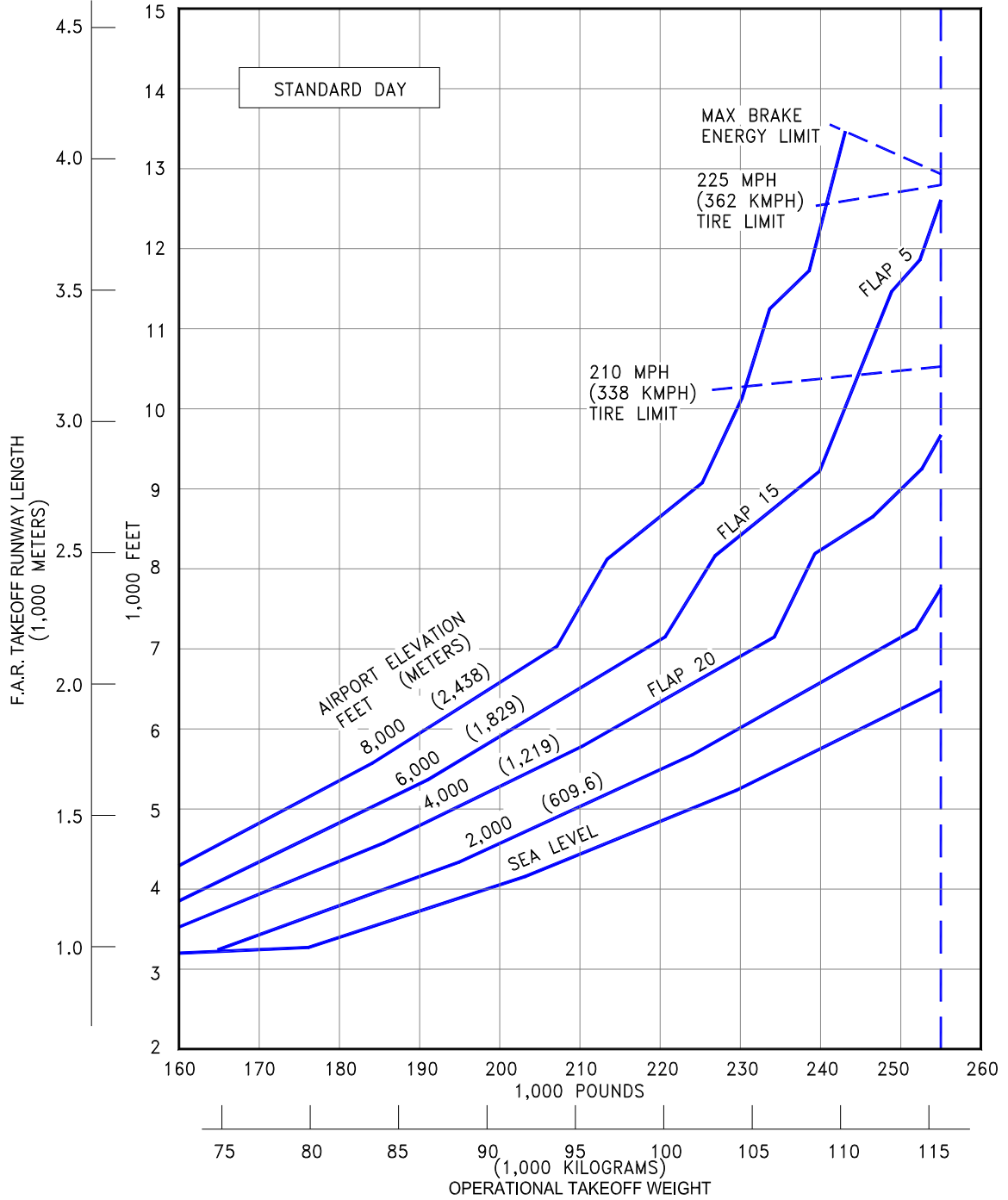


3.3.5 F.A.R. TAKEOFF RUNWAY LENGTH REQUIREMENTS - STANDARD DAY
 MODEL 757-200 (RB211-535E4B ENGINES)

D6-58327

NOTES:

- * RB211-535E4B ENGINES
- * NO ENGINE AIRBLEED FOR AIR CONDITIONING
- * ZERO WIND, ZERO RUNWAY GRADIENT
- * CONSULT USING AIRLINE FOR SPECIFIC OPERATING PROCEDURE PRIOR TO FACILITY DESIGN
- * LINEAR INTERPOLATION BETWEEN ALTITUDES INVALID
- * LINEAR INTERPOLATION BETWEEN TEMPERATURES INVALID
- * NOMINAL PERFORMANCE



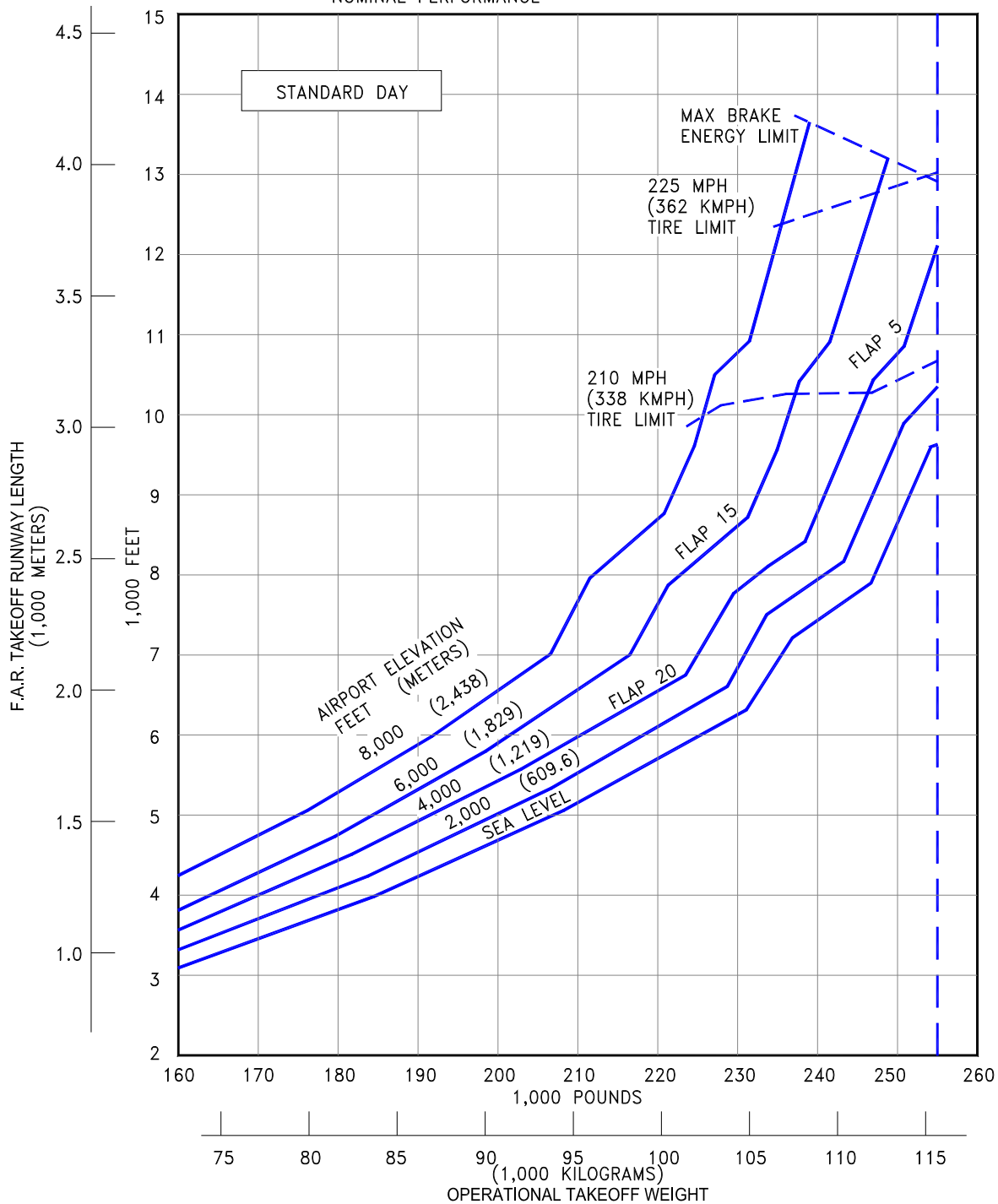
**3.3.6 F.A.R. TAKEOFF RUNWAY LENGTH REQUIREMENTS -
STANDARD DAY +25°F (STD + 14°C)
MODEL 757-200 (RB211-535E4B ENGINES)**

D6-58327

JUNE 1999 43

NOTES:

- * PW2037 ENGINES
- * NO ENGINE AIRBLEED FOR AIR CONDITIONING
- * ZERO WIND, ZERO RUNWAY GRADIENT
- * CONSULT USING AIRLINE FOR SPECIFIC OPERATING PROCEDURE PRIOR TO FACILITY DESIGN
- * LINEAR INTERPOLATION BETWEEN ALTITUDES INVALID
- * LINEAR INTERPOLATION BETWEEN TEMPERATURES INVALID
- * NOMINAL PERFORMANCE

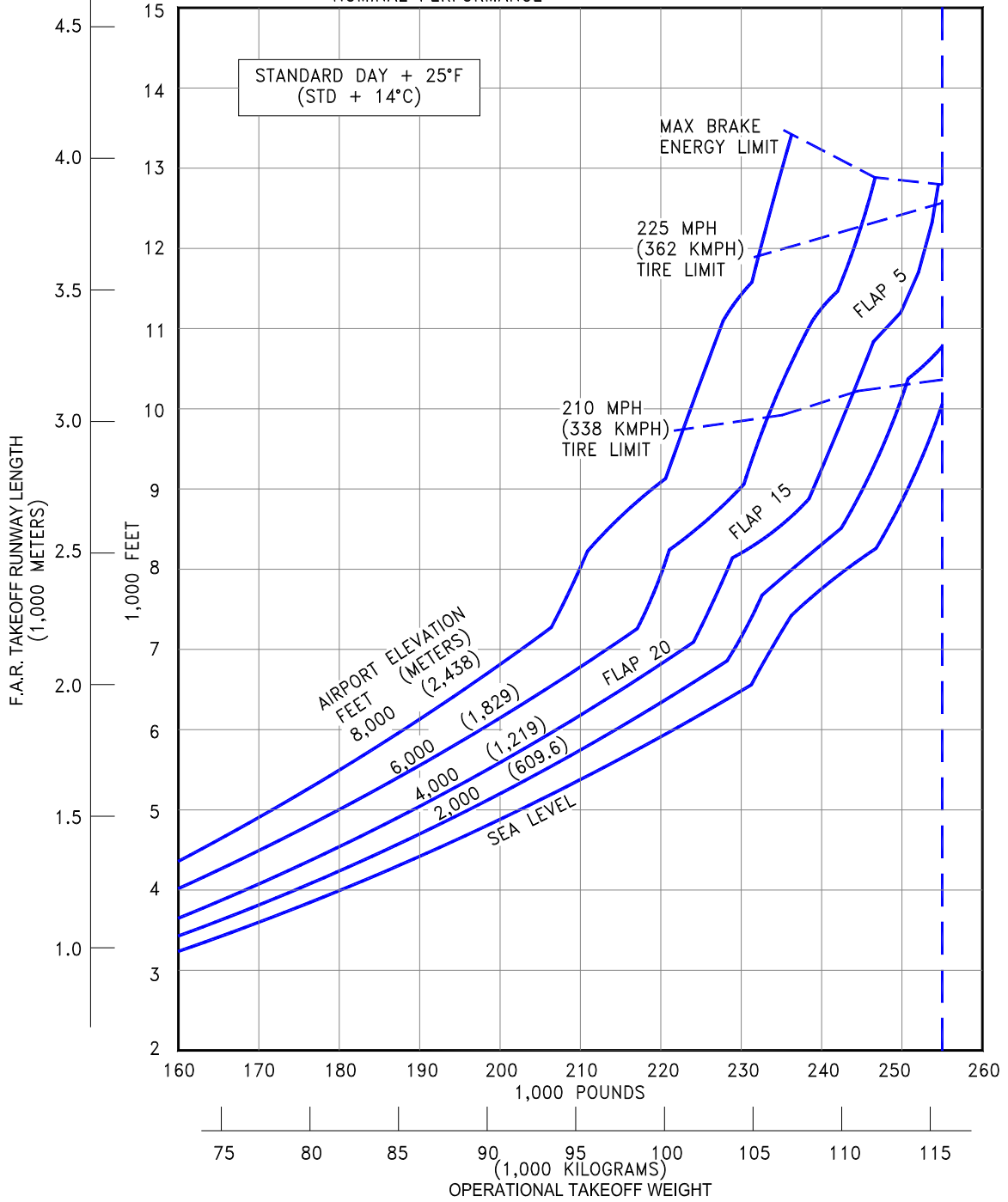


3.3.7 F.A.R. TAKEOFF RUNWAY LENGTH REQUIREMENTS - STANDARD DAY
 MODEL 757-200 (PW2037 ENGINES)

D6-58327

NOTES:

- * PW2037 ENGINES
- * NO ENGINE AIRBLEED FOR AIR CONDITIONING
- * ZERO WIND, ZERO RUNWAY GRADIENT
- * CONSULT USING AIRLINE FOR SPECIFIC OPERATING PROCEDURE PRIOR TO FACILITY DESIGN
- * LINEAR INTERPOLATION BETWEEN ALTITUDES INVALID
- * LINEAR INTERPOLATION BETWEEN TEMPERATURES INVALID
- * NOMINAL PERFORMANCE



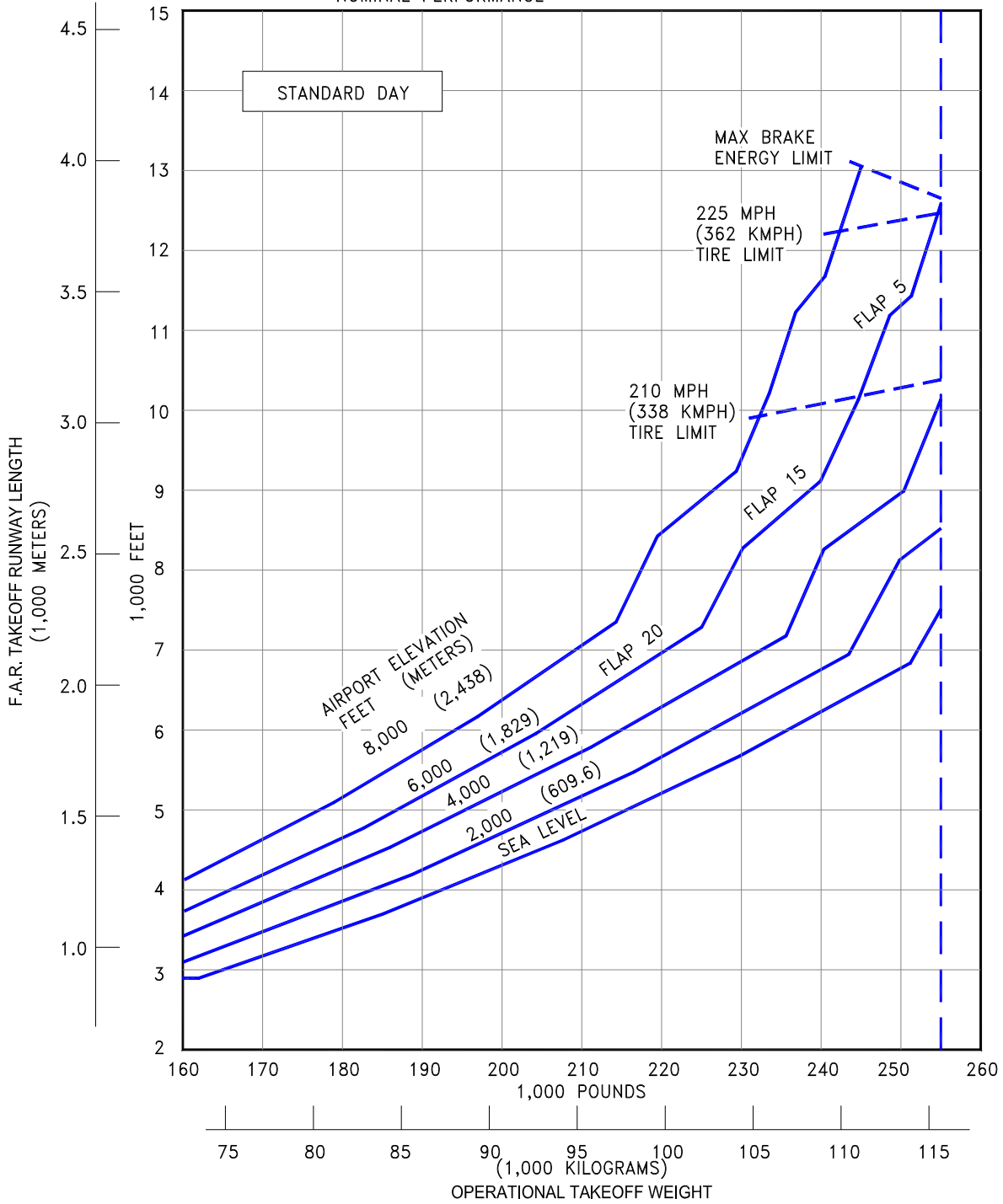
**3.3.8 F.A.R. TAKEOFF RUNWAY LENGTH REQUIREMENTS -
STANDARD DAY +25°F (STD + 14°C)
MODEL 757-200 (PW2037 ENGINES)**

D6-58327

JUNE 1999 45

NOTES:

- * PW2040 ENGINES
- * NO ENGINE AIRBLEED FOR AIR CONDITIONING
- * ZERO WIND, ZERO RUNWAY GRADIENT
- * CONSULT USING AIRLINE FOR SPECIFIC OPERATING PROCEDURE PRIOR TO FACILITY DESIGN
- * LINEAR INTERPOLATION BETWEEN ALTITUDES INVALID
- * LINEAR INTERPOLATION BETWEEN TEMPERATURES INVALID
- * NOMINAL PERFORMANCE

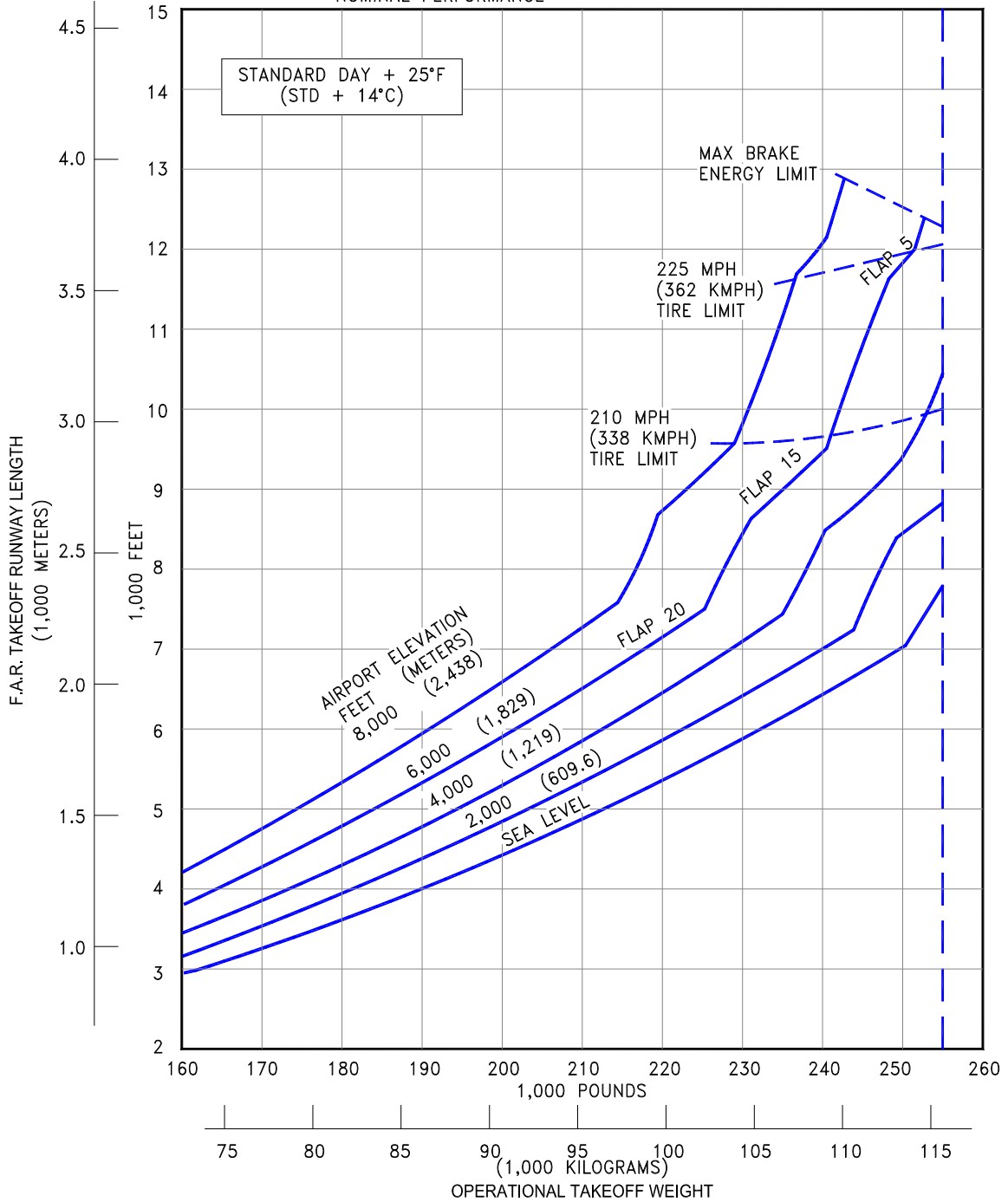


3.3.9 F.A.R. TAKEOFF RUNWAY LENGTH REQUIREMENTS - STANDARD DAY
 MODEL 757-200 (PW2040 ENGINES)

D6-58327

NOTES:

- * PW2040 ENGINES
- * NO ENGINE AIRBLEED FOR AIR CONDITIONING
- * ZERO WIND, ZERO RUNWAY GRADIENT
- * CONSULT USING AIRLINE FOR SPECIFIC OPERATING PROCEDURE PRIOR TO FACILITY DESIGN
- * LINEAR INTERPOLATION BETWEEN ALTITUDES INVALID
- * LINEAR INTERPOLATION BETWEEN TEMPERATURES INVALID
- * NOMINAL PERFORMANCE



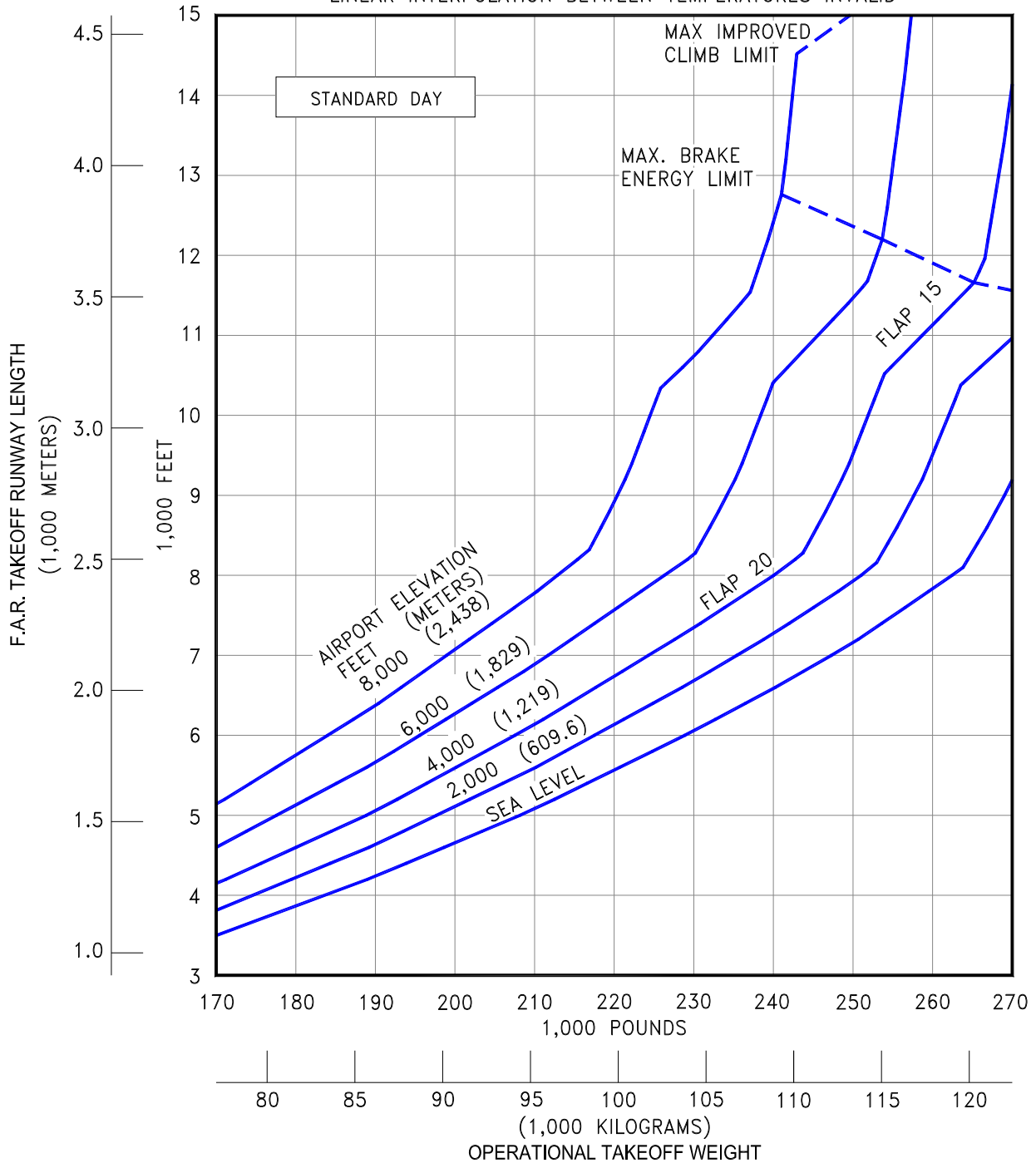
**3.3.10 F.A.R. TAKEOFF RUNWAY LENGTH REQUIREMENTS -
STANDARD DAY +25°F (STD + 14°C)
MODEL 757-200 (PW2040 ENGINES)**

D6-58327

JUNE 1999 47

NOTES:

- * RB211-535E4 ENGINES
- * NO ENGINE AIRBLEED FOR AIR CONDITIONING
- * ZERO WIND, ZERO RUNWAY GRADIENT
- * DRY RUNWAY SURFACE
- * CONSULT USING AIRLINE FOR SPECIFIC OPERATING PROCEDURE PRIOR TO FACILITY DESIGN
- * LINEAR INTERPOLATION BETWEEN ALTITUDES INVALID
- * LINEAR INTERPOLATION BETWEEN TEMPERATURES INVALID

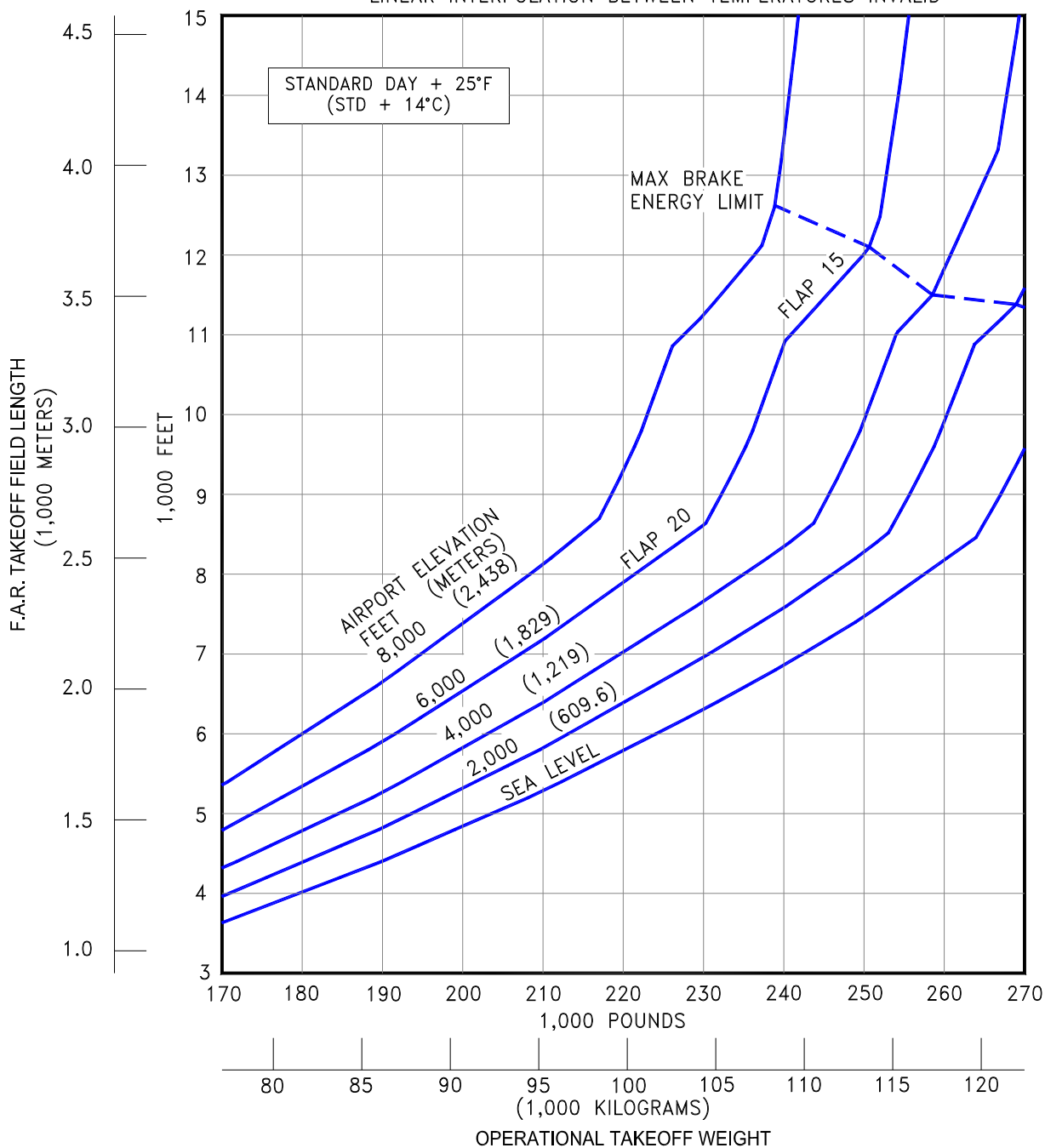


3.3.11 F.A.R. TAKEOFF RUNWAY LENGTH REQUIREMENTS - STANDARD DAY
 MODEL 757-300 (RB211-535E4 ENGINES)

D6-58327

NOTES:

- * RB211-535E4 ENGINES
- * NO ENGINE AIRBLEED FOR AIR CONDITIONING
- * ZERO WIND, ZERO RUNWAY GRADIENT
- * DRY RUNWAY SURFACE
- * CONSULT USING AIRLINE FOR SPECIFIC OPERATING PROCEDURE PRIOR TO FACILITY DESIGN
- * LINEAR INTERPOLATION BETWEEN ALTITUDES INVALID
- * LINEAR INTERPOLATION BETWEEN TEMPERATURES INVALID



3.3.12 F.A.R. TAKEOFF RUNWAY LENGTH REQUIREMENTS

STANDARD DAY +25°F (STD + 14°C)

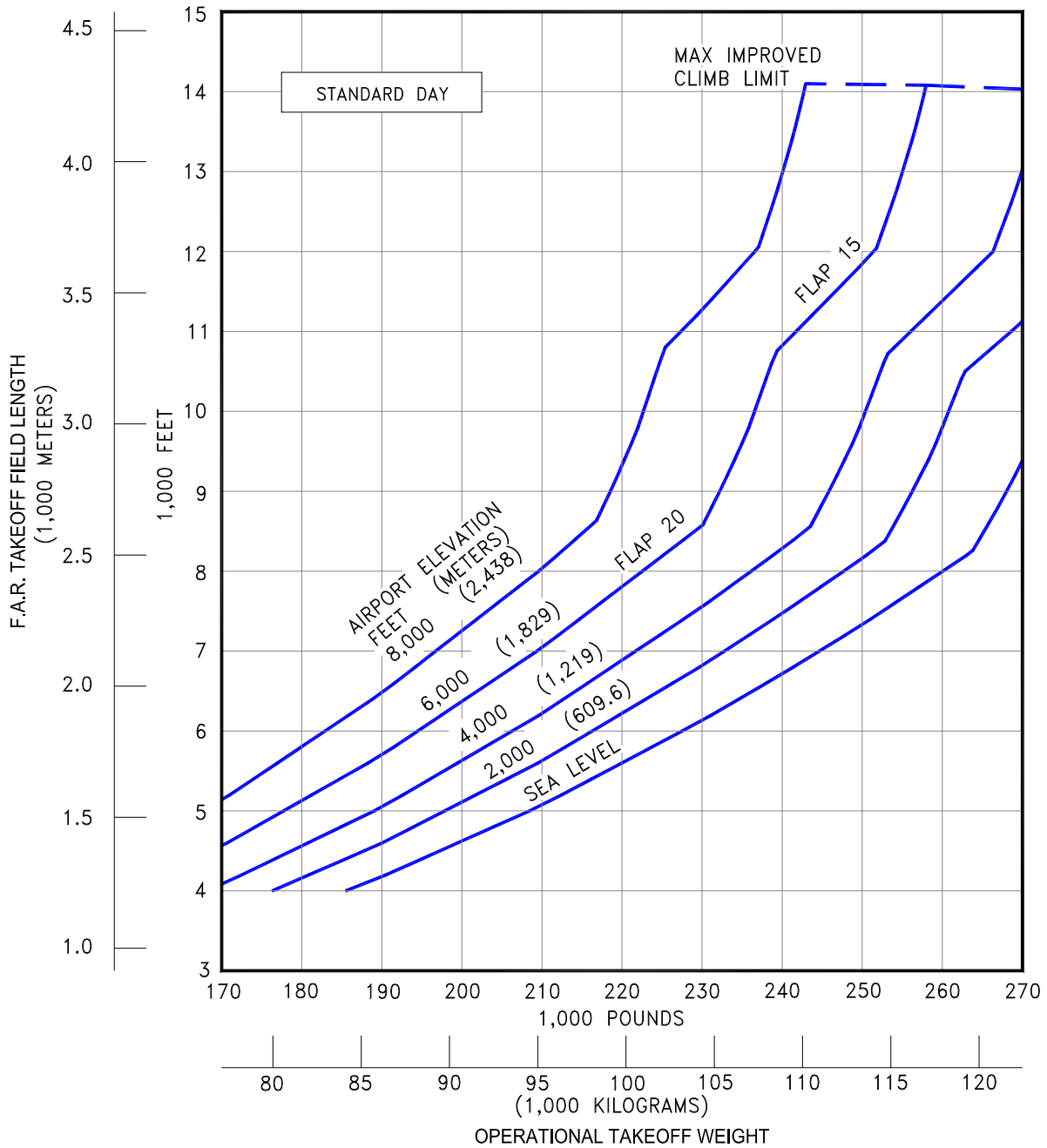
MODEL 757-300 (RB211-535E4 ENGINES)

D6-58327

JUNE 1999 49

NOTES:

- * RB211-535E4 ENGINES
- * NO ENGINE AIRBLEED FOR AIR CONDITIONING
- * ZERO WIND, ZERO RUNWAY GRADIENT
- * WET SMOOTH RUNWAY SURFACE
- * CONSULT USING AIRLINE FOR SPECIFIC OPERATING PROCEDURE PRIOR TO FACILITY DESIGN
- * LINEAR INTERPOLATION BETWEEN ALTITUDES INVALID
- * LINEAR INTERPOLATION BETWEEN TEMPERATURES INVALID
- * TAKEOFF PERFORMANCE IMPROVEMENTS ARE POSSIBLE USING GROOVED RUNWAY



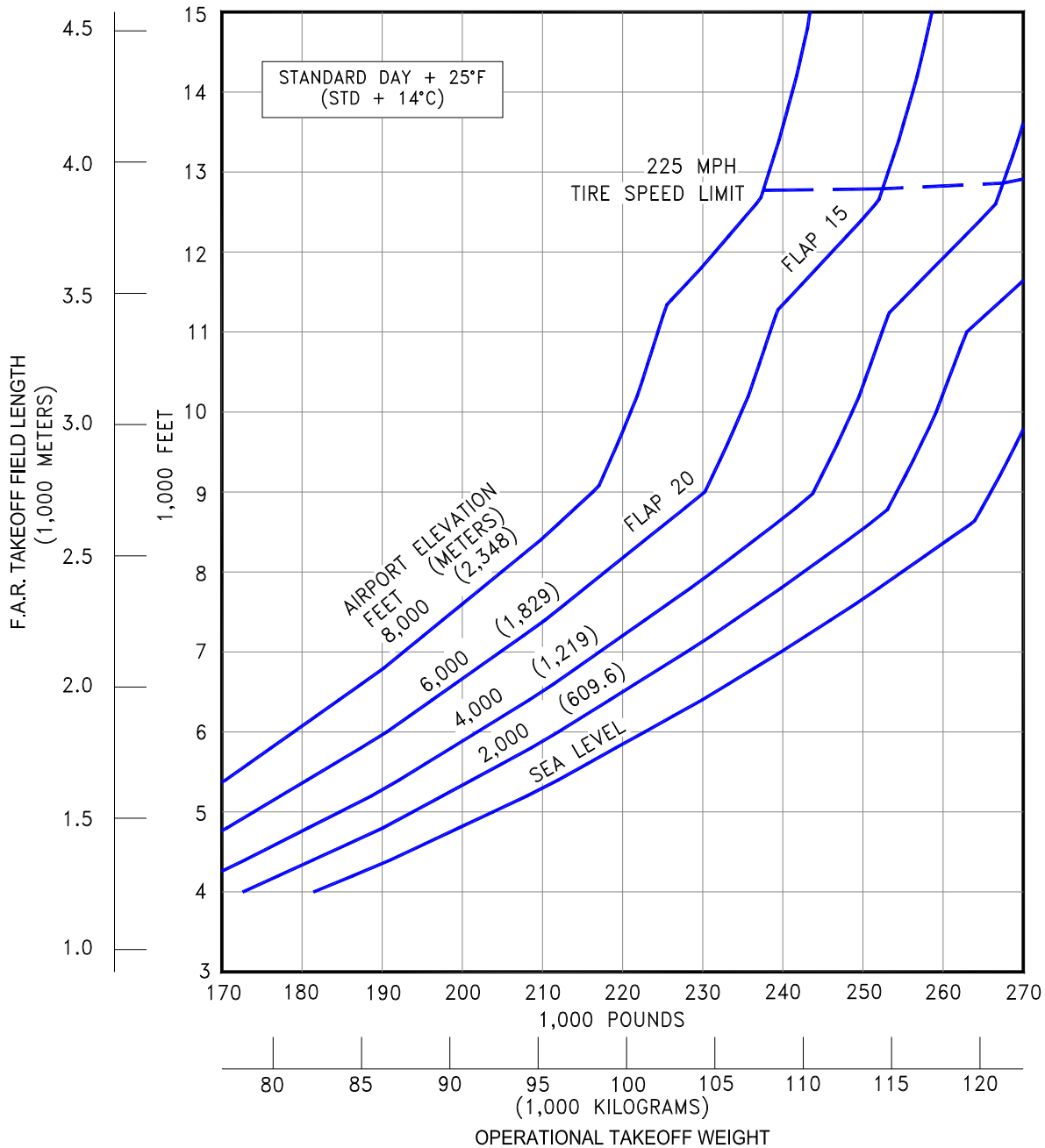
3.3.13 J.A.R. TAKEOFF RUNWAY LENGTH REQUIREMENTS - STANDARD DAY - WET RUNWAY

MODEL 757-300 (RB211-535E4 ENGINES)

D6-58327

NOTES:

- * RB211-535E4 ENGINES
- * NO ENGINE AIRBLEED FOR AIR CONDITIONING
- * ZERO WIND, ZERO RUNWAY GRADIENT
- * WET SMOOTH RUNWAY SURFACE
- * CONSULT USING AIRLINE FOR SPECIFIC OPERATING PROCEDURE PRIOR TO FACILITY DESIGN
- * LINEAR INTERPOLATION BETWEEN ALTITUDES INVALID
- * LINEAR INTERPOLATION BETWEEN TEMPERATURES INVALID
- * TAKEOFF PERFORMANCE IMPROVEMENTS ARE POSSIBLE USING GROOVED RUNWAY



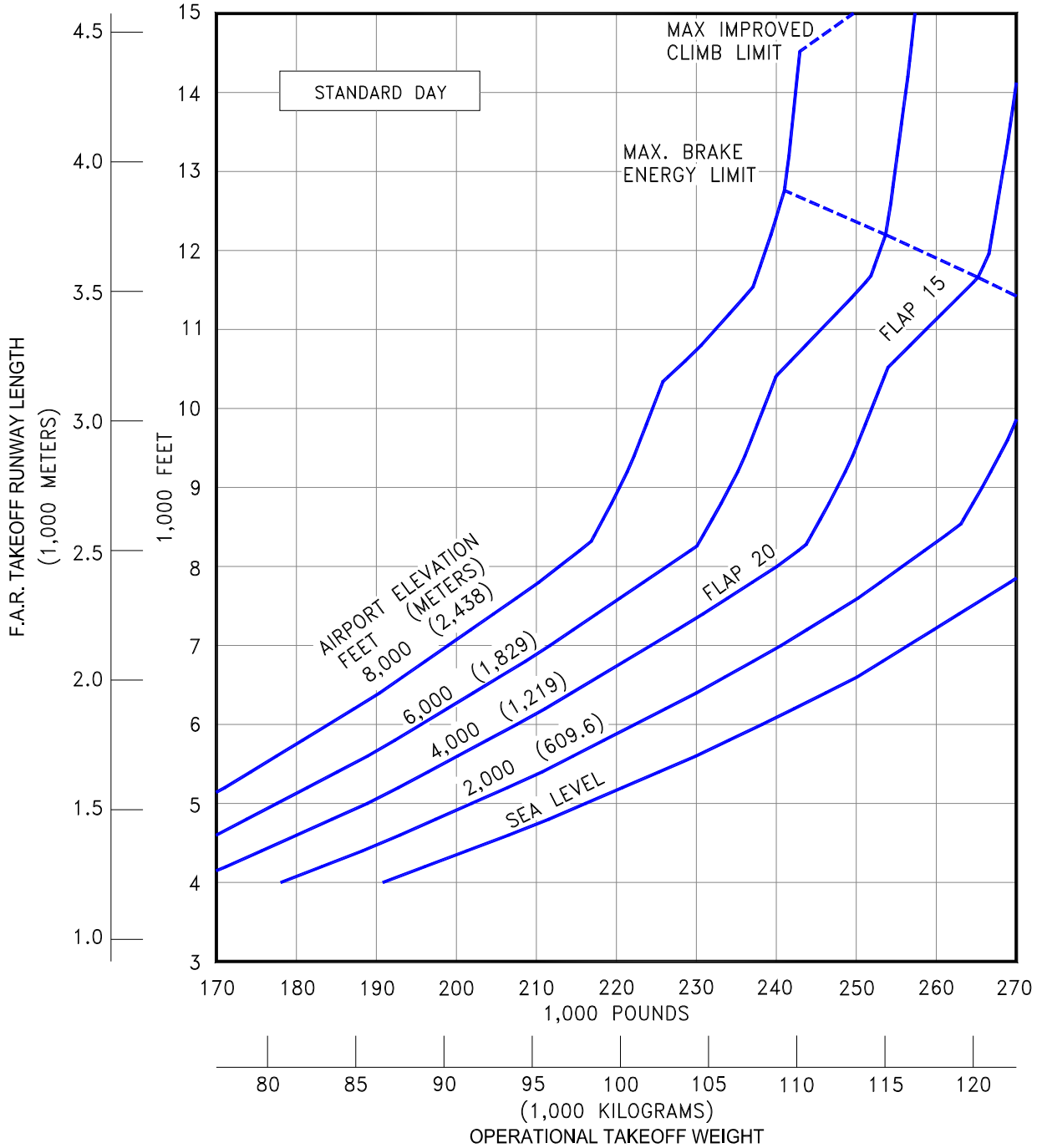
3.3.14 J.A.R. TAKEOFF RUNWAY LENGTH REQUIREMENTS
STANDARD DAY +25°F (STD + 14°C) - WET RUNWAY
 MODEL 757-300 (RB211-535E4 ENGINES)

D6-58327

AUGUST 2002 51

NOTES:

- * RB211-535E4B ENGINES
- * NO ENGINE AIRBLEED FOR AIR CONDITIONING
- * ZERO WIND, ZERO RUNWAY GRADIENT
- * DRY RUNWAY SURFACE
- * CONSULT USING AIRLINE FOR SPECIFIC OPERATING PROCEDURE PRIOR TO FACILITY DESIGN
- * LINEAR INTERPOLATION BETWEEN ALTITUDES INVALID
- * LINEAR INTERPOLATION BETWEEN TEMPERATURES INVALID

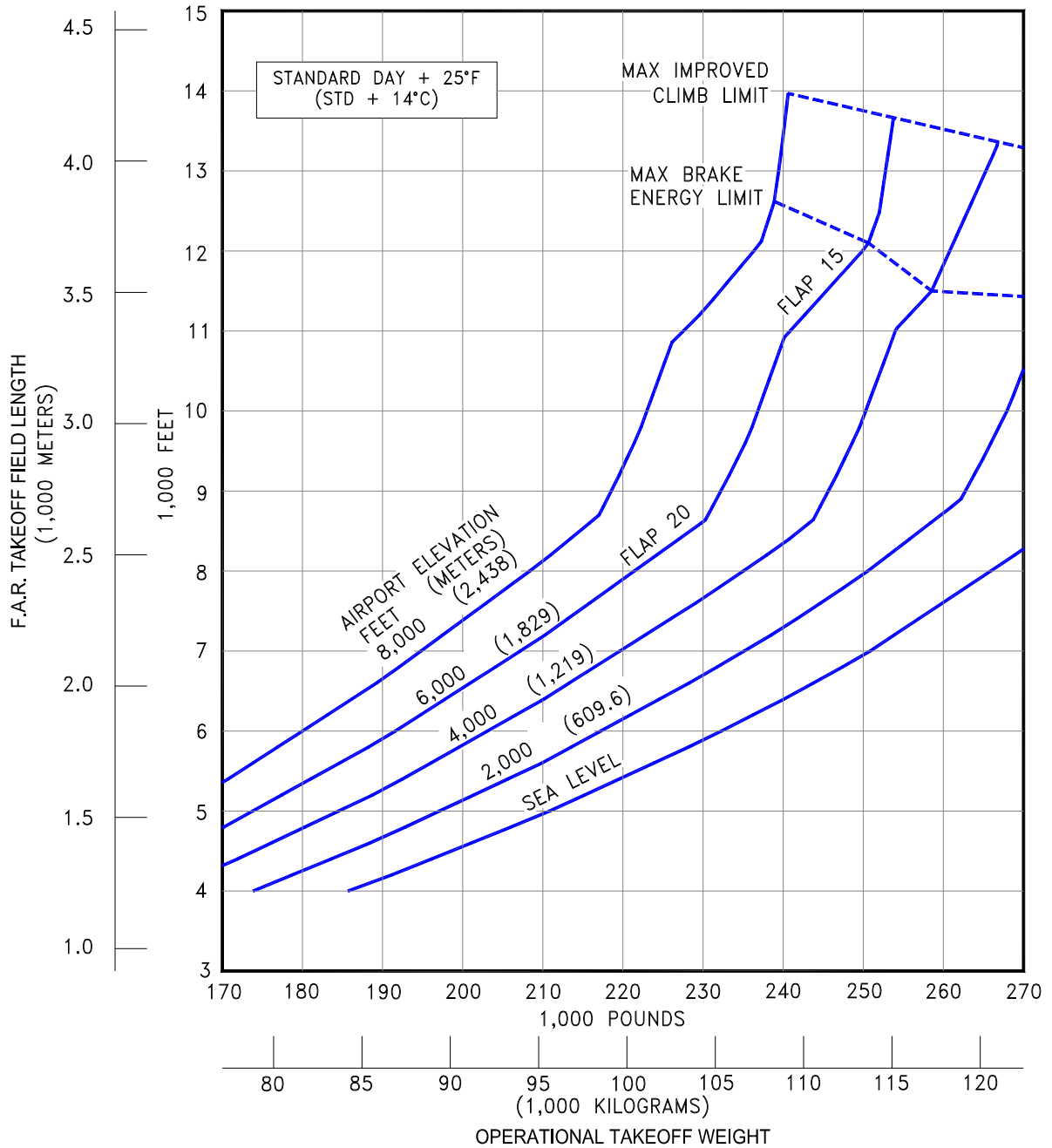


3.3.15 F.A..R TAKEOFF RUNWAY LENGTH REQUIREMENTS - STANDARD DAY
 MODEL 757-300 (RB211-535E4B ENGINES)

D6-58327

NOTES:

- * RB211-535E4B ENGINES
- * NO ENGINE AIRBLEED FOR AIR CONDITIONING
- * ZERO WIND, ZERO RUNWAY GRADIENT
- * DRY RUNWAY SURFACE
- * CONSULT USING AIRLINE FOR SPECIFIC OPERATING PROCEDURE PRIOR TO FACILITY DESIGN
- * LINEAR INTERPOLATION BETWEEN ALTITUDES INVALID
- * LINEAR INTERPOLATION BETWEEN TEMPERATURES INVALID



3.3.16 F.A.R. TAKEOFF RUNWAY LENGTH REQUIREMENTS

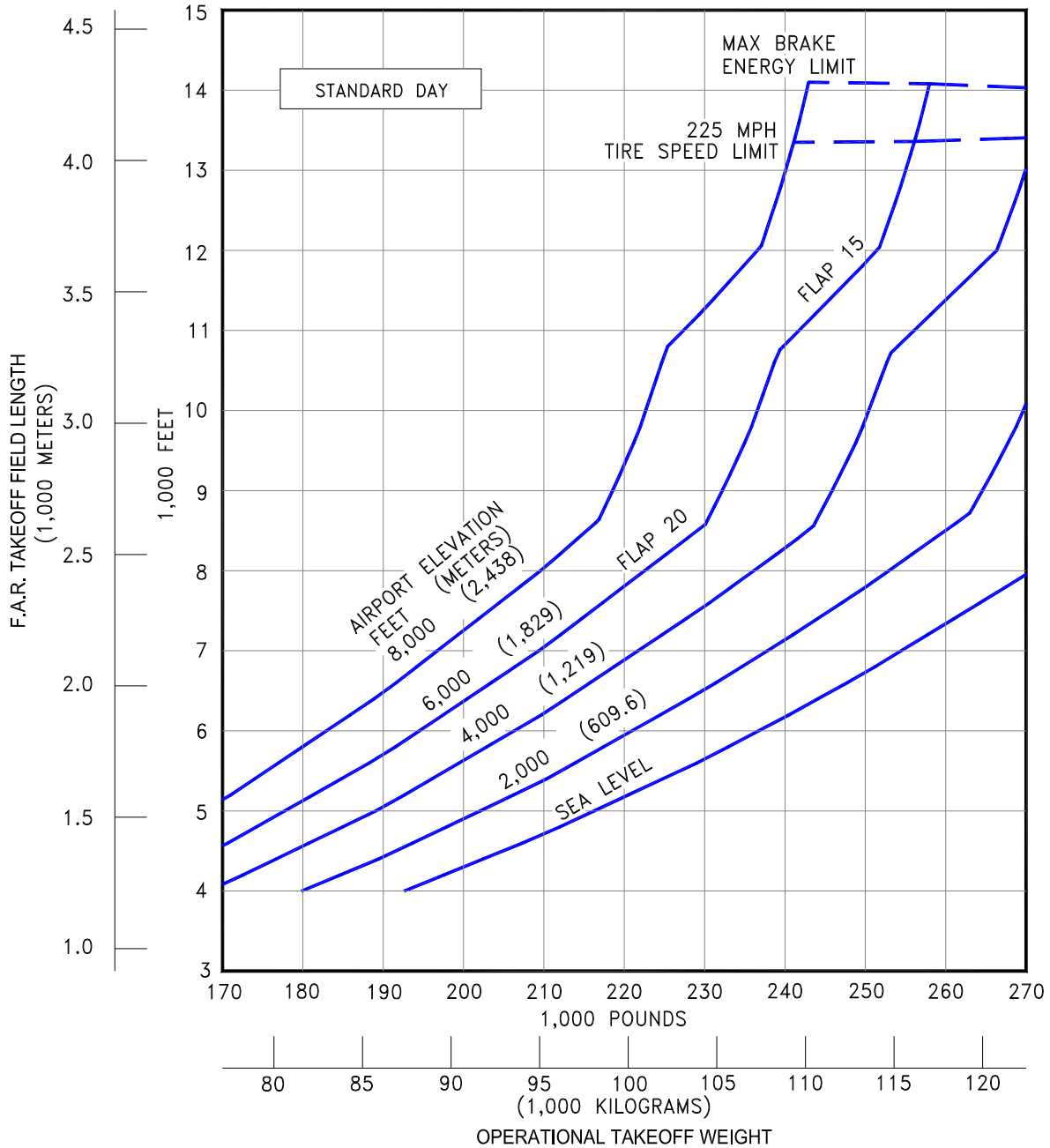
STANDARD DAY +25°F (STD + 14°C)

MODEL 757-300 (RB211-535E4B ENGINES)

D6-58327

JUNE 1999 53

- NOTES:
- * RB211-535E4B ENGINES
 - * NO ENGINE AIRBLEED FOR AIR CONDITIONING
 - * ZERO WIND, ZERO RUNWAY GRADIENT
 - * WET SMOOTH RUNWAY SURFACE
 - * CONSULT USING AIRLINE FOR SPECIFIC OPERATING PROCEDURE PRIOR TO FACILITY DESIGN
 - * LINEAR INTERPOLATION BETWEEN ALTITUDES INVALID
 - * LINEAR INTERPOLATION BETWEEN TEMPERATURES INVALID
 - * TAKEOFF PERFORMANCE IMPROVEMENTS ARE POSSIBLE USING GROOVED RUNWAY

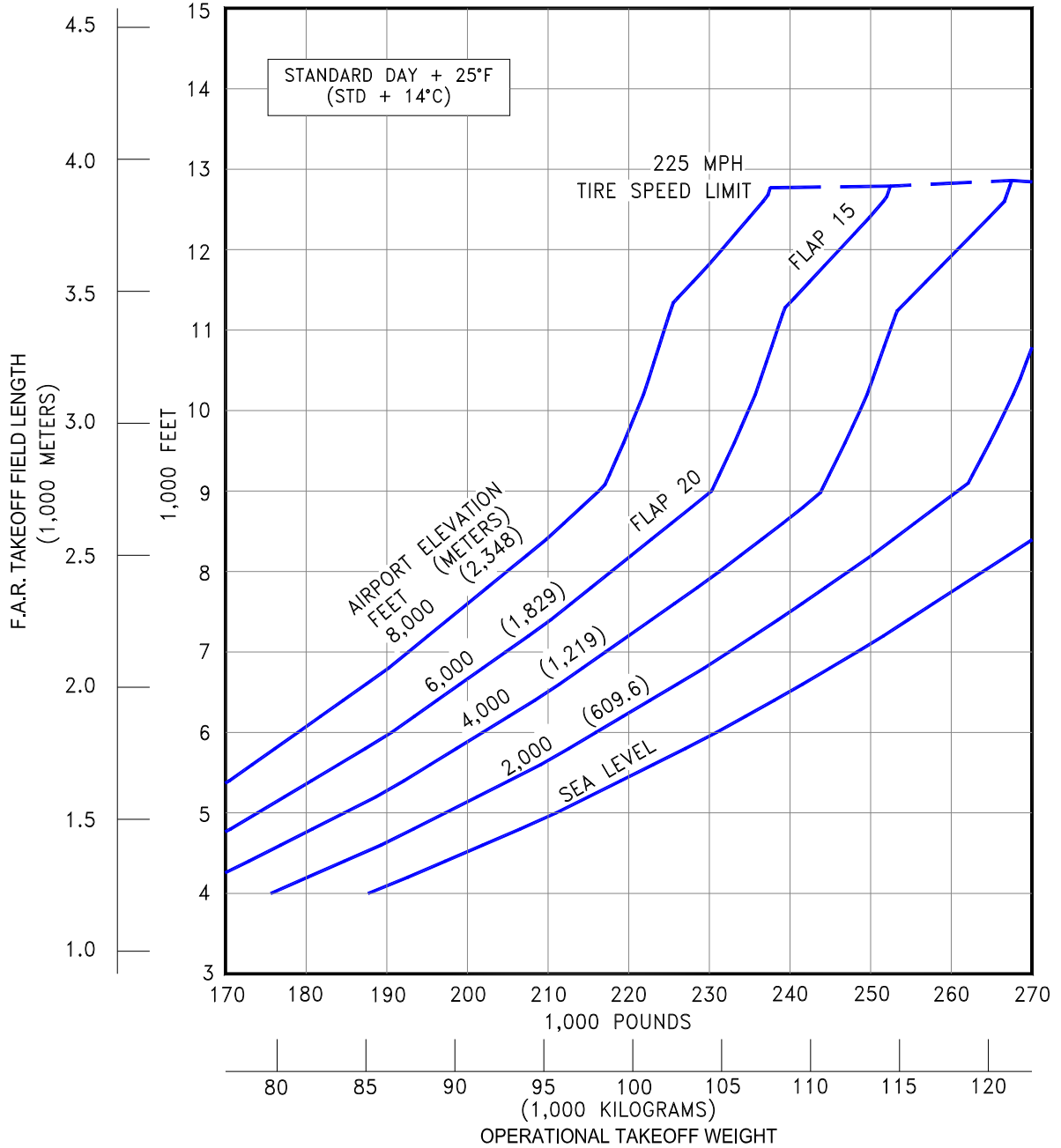


3.3.17 J.A.R. TAKEOFF RUNWAY LENGTH REQUIREMENTS - STANDARD DAY - WET RUNWAY
 MODEL 757-300 (RB211-535E4B ENGINES)

D6-58327

NOTES:

- * RB211-535E4B ENGINES
- * NO ENGINE AIRBLEED FOR AIR CONDITIONING
- * ZERO WIND, ZERO RUNWAY GRADIENT
- * WET SMOOTH RUNWAY SURFACE
- * CONSULT USING AIRLINE FOR SPECIFIC OPERATING PROCEDURE PRIOR TO FACILITY DESIGN
- * LINEAR INTERPOLATION BETWEEN ALTITUDES INVALID
- * LINEAR INTERPOLATION BETWEEN TEMPERATURES INVALID
- * TAKEOFF PERFORMANCE IMPROVEMENTS ARE POSSIBLE USING GROOVED RUNWAY



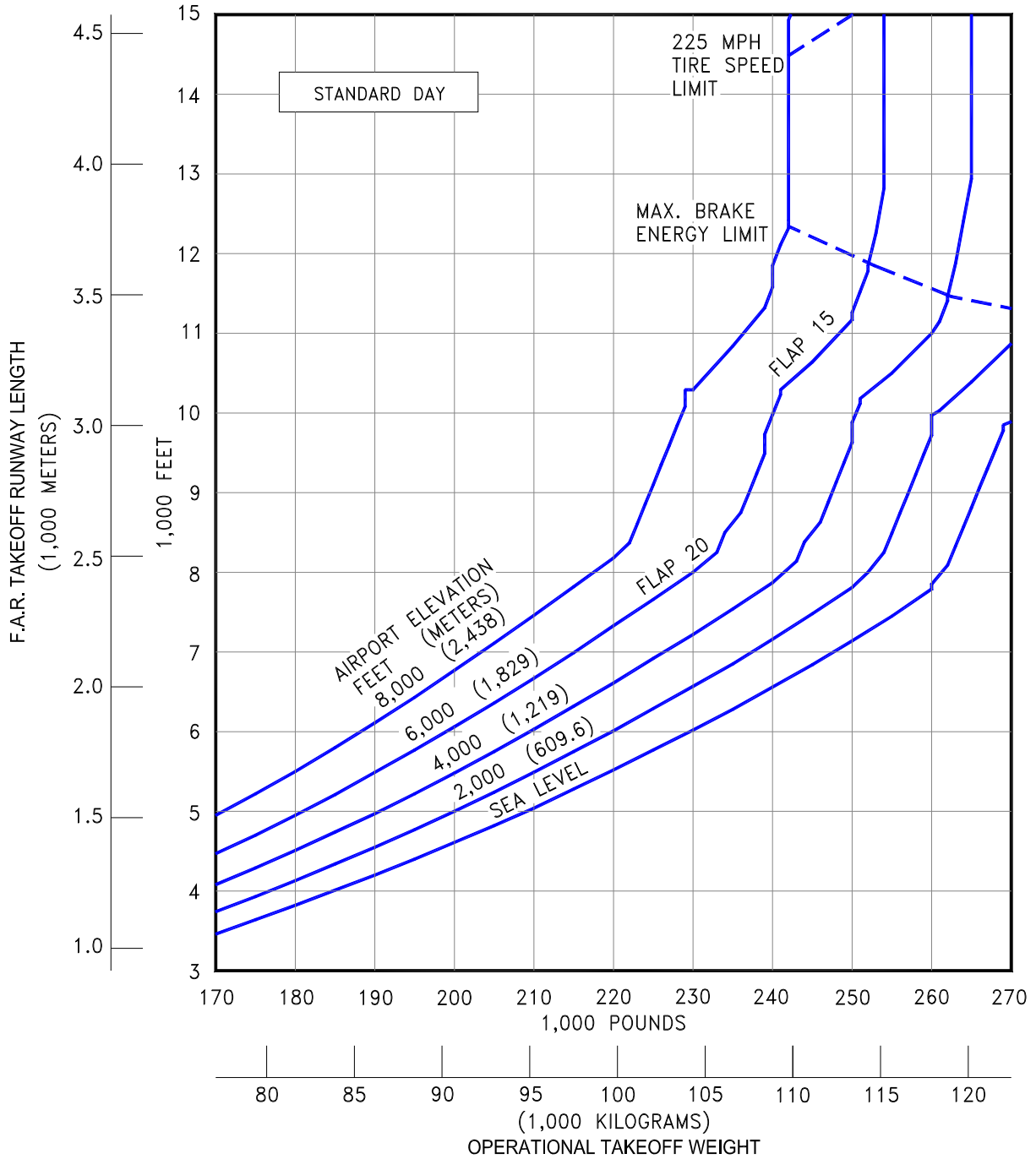
3.3.18 J.A.R. TAKEOFF RUNWAY LENGTH REQUIREMENTS
STANDARD DAY +25°F (STD + 14°C) - WET RUNWAY
 MODEL 757-300 (RB211-535E4B ENGINES)

D6-58327

AUGUST 2002 55

NOTES:

- * PW2040 ENGINES
- * NO ENGINE AIRBLEED FOR AIR CONDITIONING
- * ZERO WIND, ZERO RUNWAY GRADIENT
- * DRY RUNWAY SURFACE
- * CONSULT USING AIRLINE FOR SPECIFIC OPERATING PROCEDURE PRIOR TO FACILITY DESIGN
- * LINEAR INTERPOLATION BETWEEN ALTITUDES INVALID
- * LINEAR INTERPOLATION BETWEEN TEMPERATURES INVALID

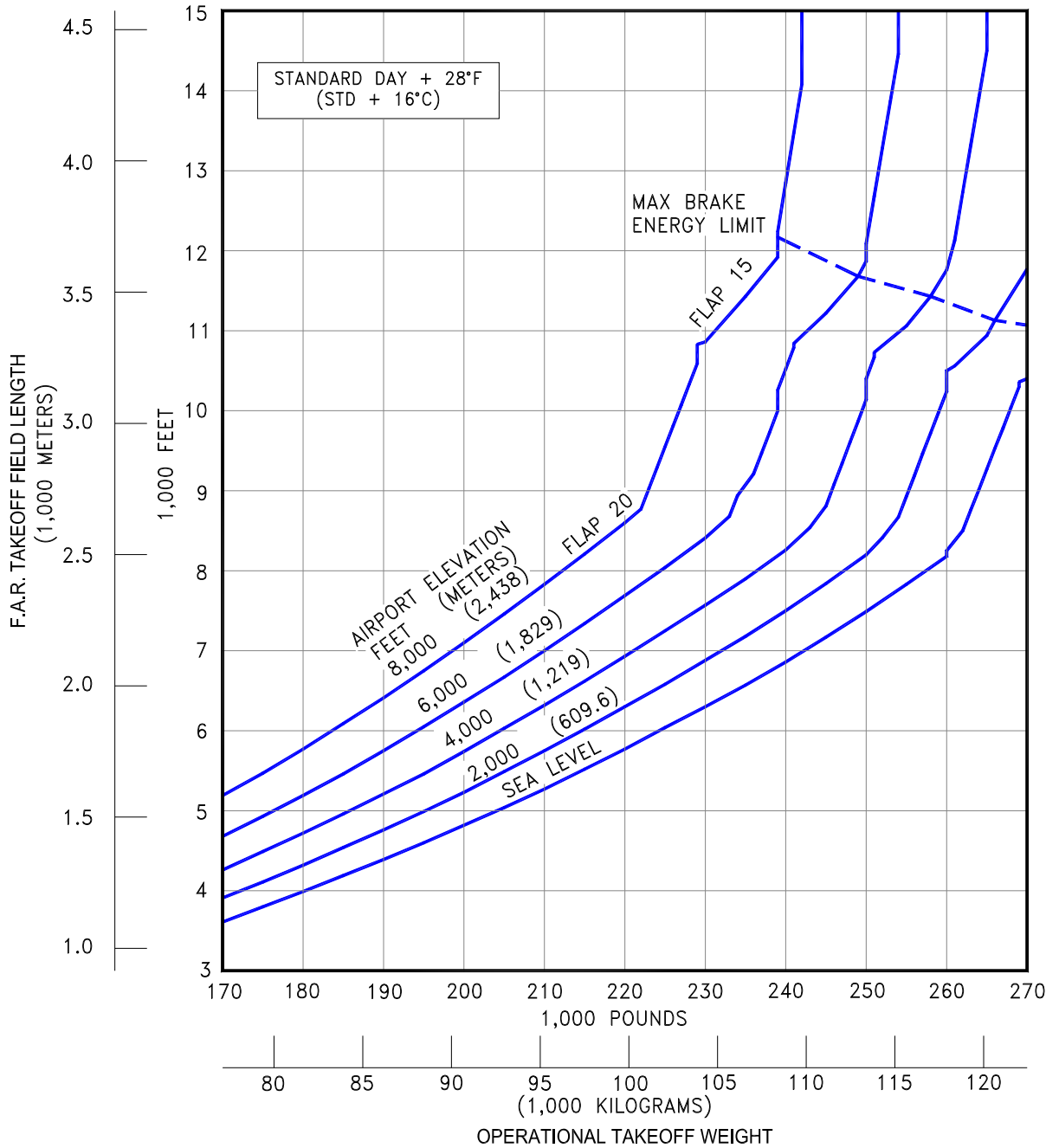


3.3.19 F.A.R. TAKEOFF RUNWAY LENGTH REQUIREMENTS - STANDARD DAY
 MODEL 757-300 (PW2040 ENGINES)

D6-58327

NOTES:

- * PW2040 ENGINES
- * NO ENGINE AIRBLEED FOR AIR CONDITIONING
- * ZERO WIND, ZERO RUNWAY GRADIENT
- * DRY RUNWAY SURFACE
- * CONSULT USING AIRLINE FOR SPECIFIC OPERATING PROCEDURE PRIOR TO FACILITY DESIGN
- * LINEAR INTERPOLATION BETWEEN ALTITUDES INVALID
- * LINEAR INTERPOLATION BETWEEN TEMPERATURES INVALID



3.3.20 F.A.R. TAKEOFF RUNWAY LENGTH REQUIREMENTS

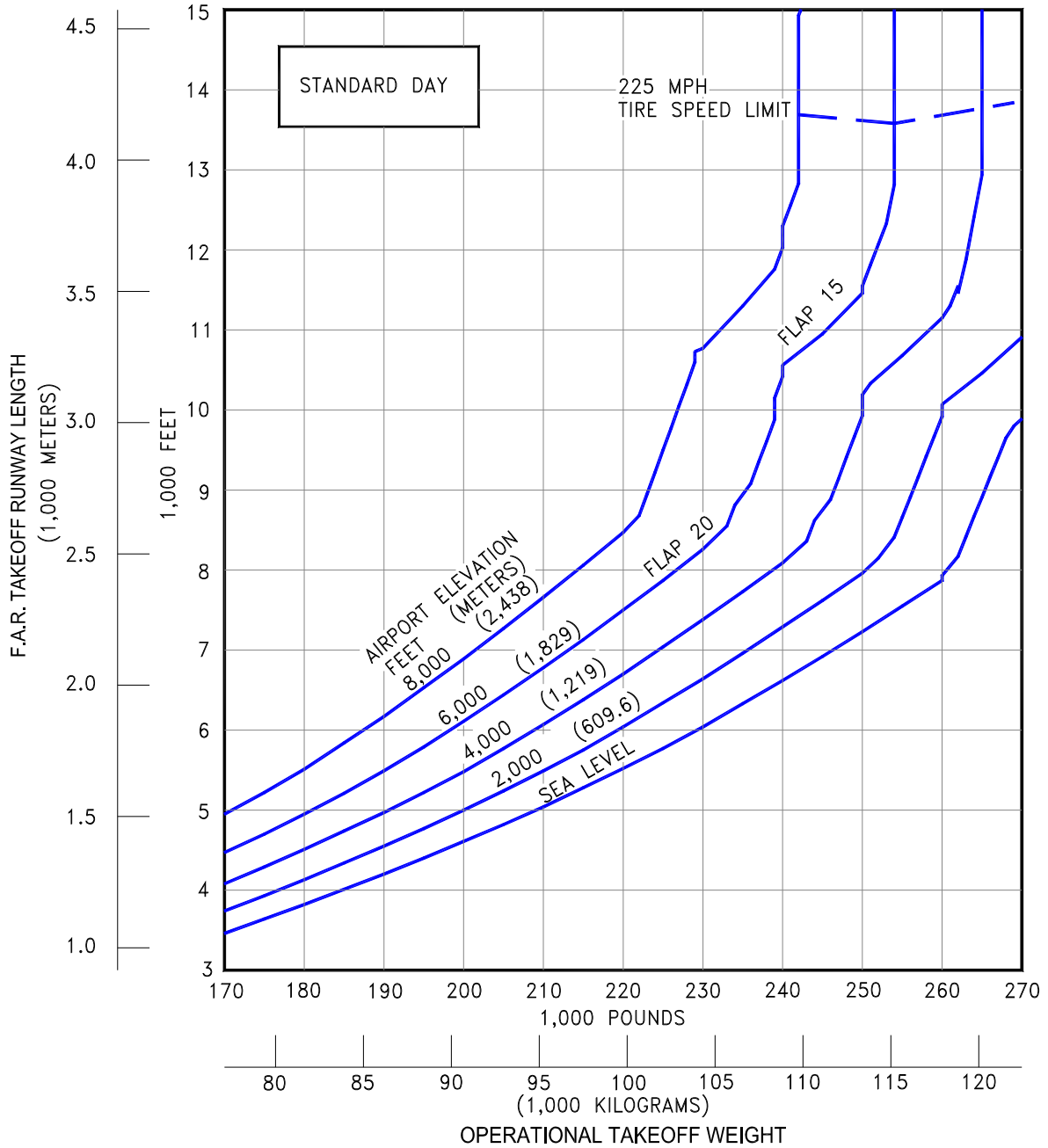
STANDARD DAY +28°F (STD + 16°C)

MODEL 757-300 (PW2040 ENGINES)

D6-58327

AUGUST 2002 57

- NOTES:
- * NO ENGINE AIRBLEED FOR AIR CONDITIONING
 - * ZERO WIND, ZERO RUNWAY GRADIENT
 - * WET SMOOTH RUNWAY SURFACE
 - * CONSULT USING AIRLINE FOR SPECIFIC OPERATING PROCEDURE PRIOR TO FACILITY DESIGN
 - * LINEAR INTERPOLATION BETWEEN ALTITUDES INVALID
 - * LINEAR INTERPOLATION BETWEEN TEMPERATURES INVALID
 - * TAKEOFF PERFORMANCE IMPROVEMENTS ARE POSSIBLE USING GROOVED RUNWAY

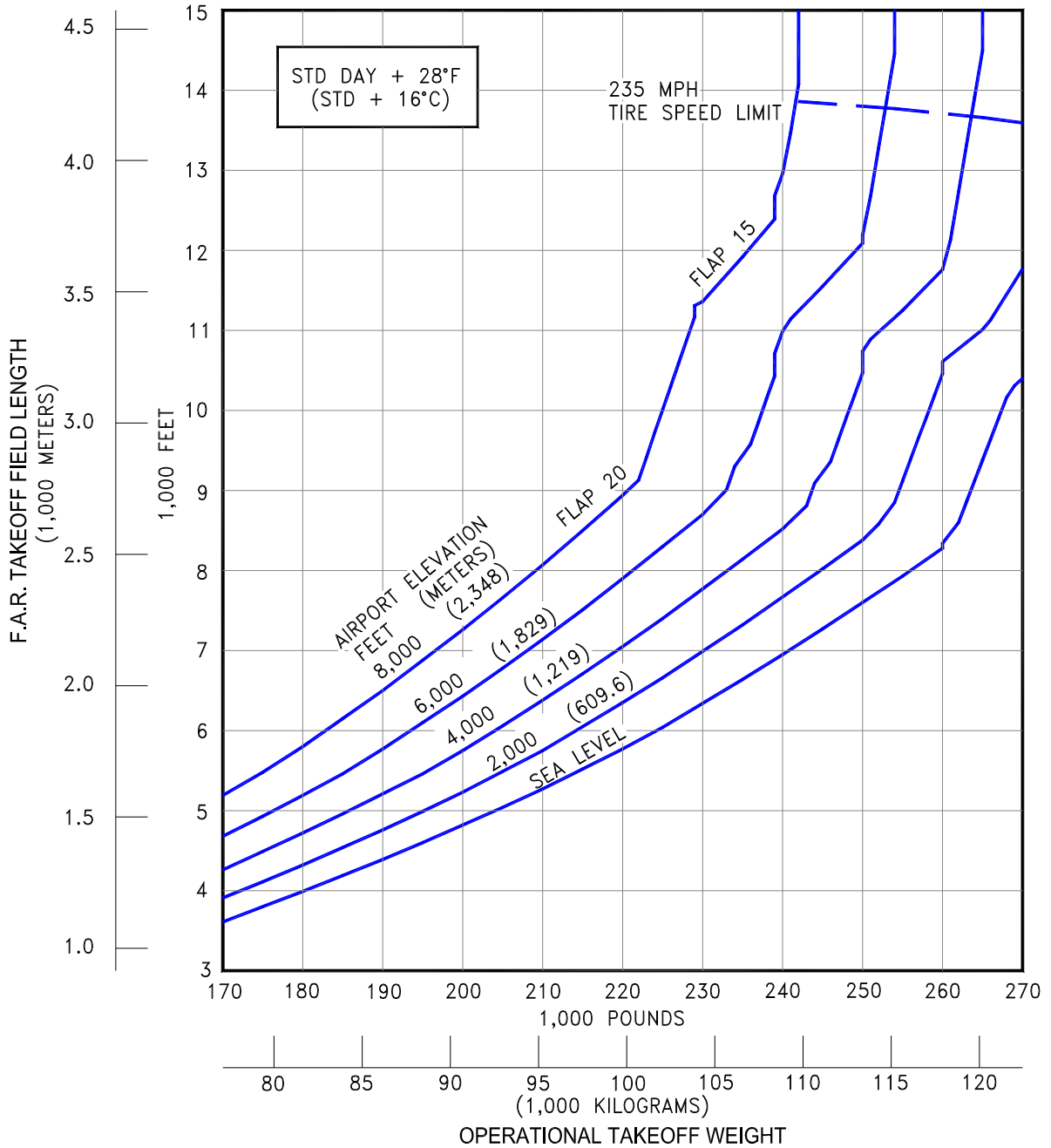


3.3.21 J.A.R. TAKEOFF RUNWAY LENGTH REQUIREMENTS - STANDARD DAY - WET RUNWAY
 MODEL 757-300 (PW2040 ENGINES)

D6-58327

NOTES:

- * NO ENGINE AIRBLEED FOR AIR CONDITIONING
- * ZERO WIND, ZERO RUNWAY GRADIENT
- * WET SMOOTH RUNWAY SURFACE
- * CONSULT USING AIRLINE FOR SPECIFIC OPERATING PROCEDURE PRIOR TO FACILITY DESIGN
- * LINEAR INTERPOLATION BETWEEN ALTITUDES INVALID
- * LINEAR INTERPOLATION BETWEEN TEMPERATURES INVALID
- * TAKEOFF PERFORMANCE IMPROVEMENTS ARE POSSIBLE USING GROOVED RUNWAY



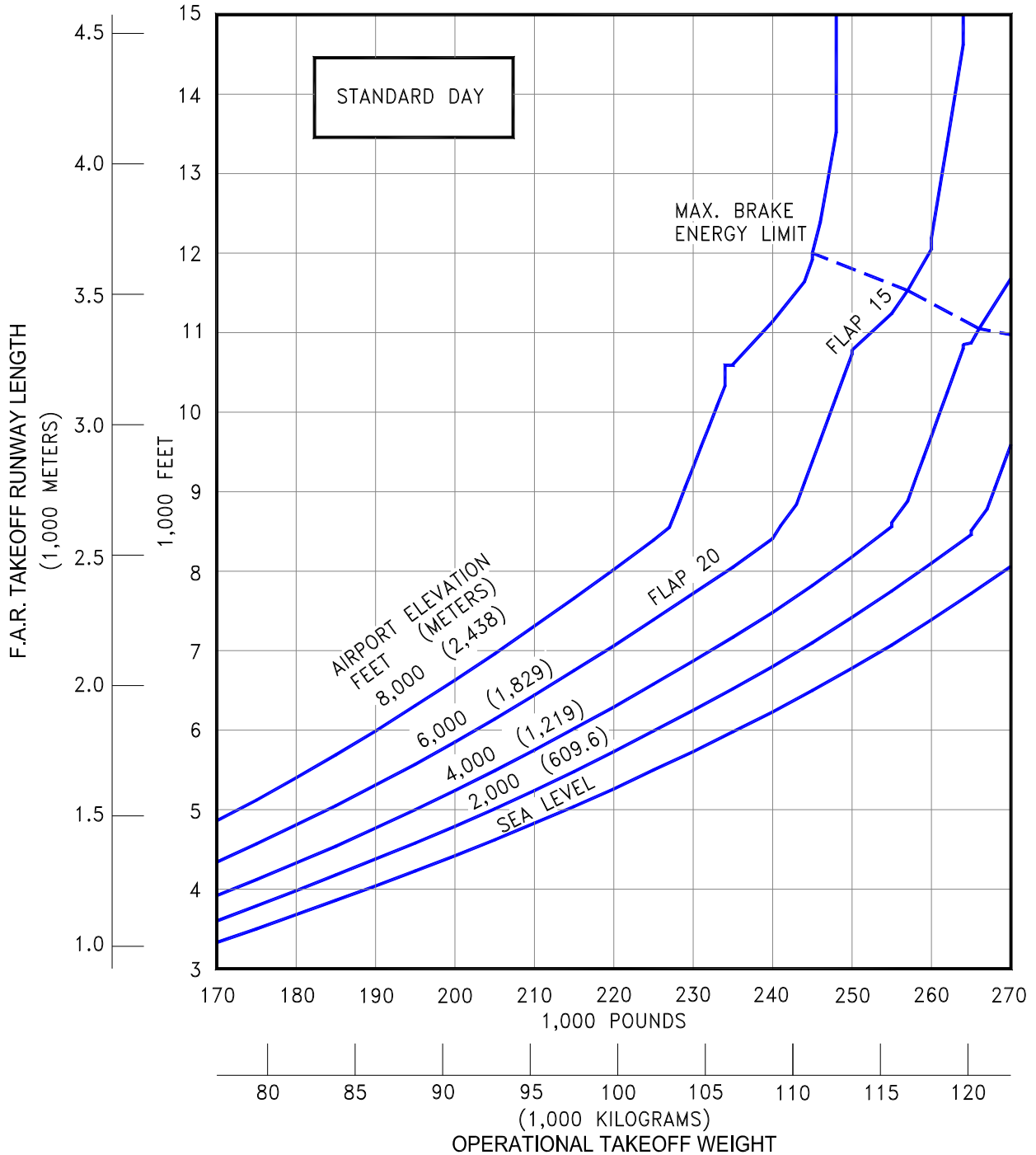
3.3.22 J.A.R. TAKEOFF RUNWAY LENGTH REQUIREMENTS
STANDARD DAY +28°F (STD + 16°C) - WET RUNWAY
MODEL 757-300 (PW2040 ENGINES)

D6-58327

AUGUST 2002 59

NOTES:

- * NO ENGINE AIRBLEED FOR AIR CONDITIONING
- * ZERO WIND, ZERO RUNWAY GRADIENT
- * DRY RUNWAY SURFACE
- * CONSULT USING AIRLINE FOR SPECIFIC OPERATING PROCEDURE PRIOR TO FACILITY DESIGN
- * LINEAR INTERPOLATION BETWEEN ALTITUDES INVALID
- * LINEAR INTERPOLATION BETWEEN TEMPERATURES INVALID

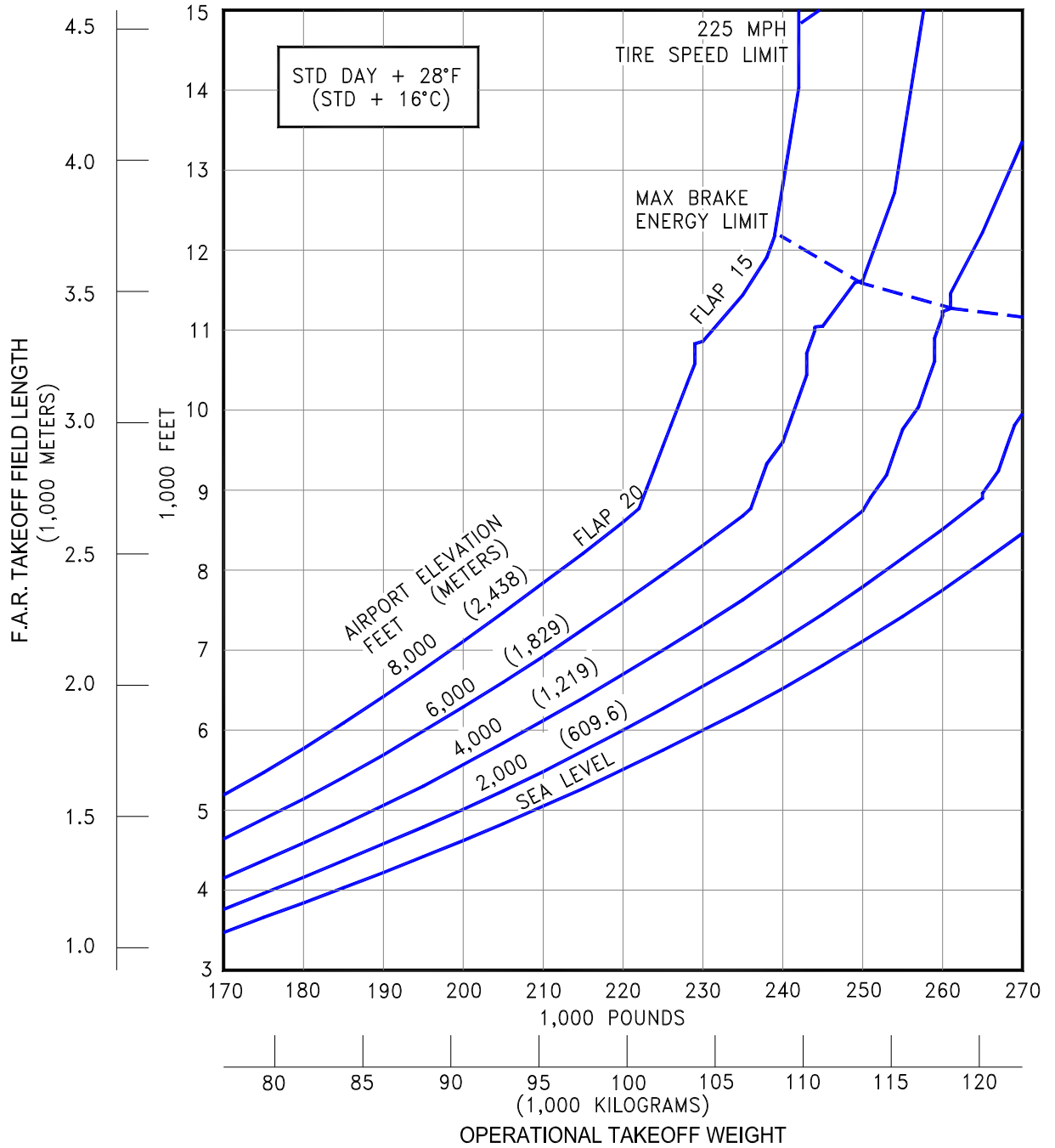


3.3.23 F.A.R. TAKEOFF RUNWAY LENGTH REQUIREMENTS - STANDARD DAY
 MODEL 757-300 (PW2043 ENGINES)

D6-58327

NOTES:

- * NO ENGINE AIRBLEED FOR AIR CONDITIONING
- * ZERO WIND, ZERO RUNWAY GRADIENT
- * DRY RUNWAY SURFACE
- * CONSULT USING AIRLINE FOR SPECIFIC OPERATING PROCEDURE PRIOR TO FACILITY DESIGN
- * LINEAR INTERPOLATION BETWEEN ALTITUDES INVALID
- * LINEAR INTERPOLATION BETWEEN TEMPERATURES INVALID



3.3.24 F.A.R. TAKEOFF RUNWAY LENGTH REQUIREMENTS

STANDARD DAY +28°F (STD + 16°C)

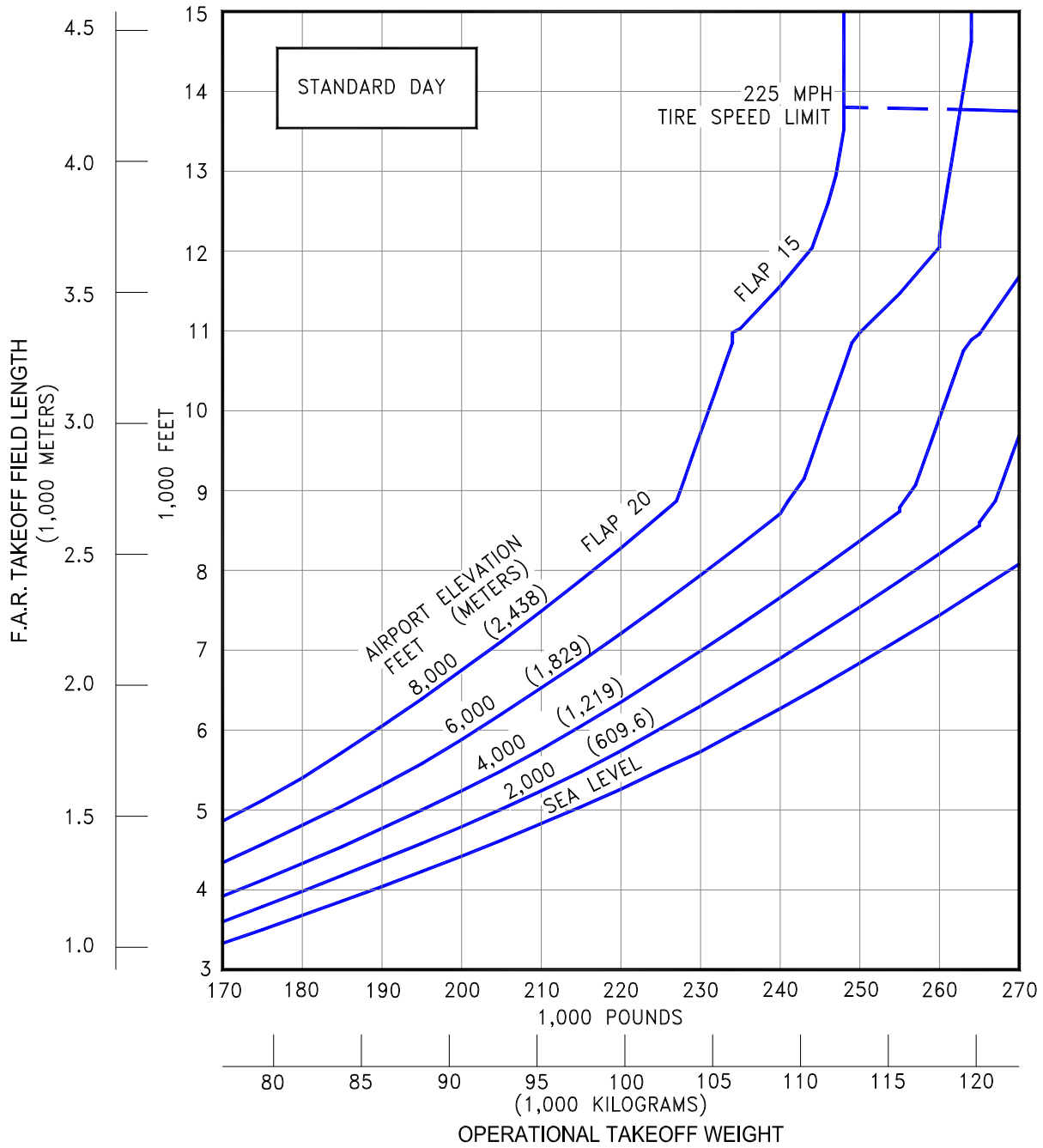
MODEL 757-300 (PW2043 ENGINES)

D6-58327

AUGUST 2002 61

NOTES:

- * NO ENGINE AIRBLEED FOR AIR CONDITIONING
- * ZERO WIND, ZERO RUNWAY GRADIENT
- * WET SMOOTH RUNWAY SURFACE
- * CONSULT USING AIRLINE FOR SPECIFIC OPERATING PROCEDURE PRIOR TO FACILITY DESIGN
- * LINEAR INTERPOLATION BETWEEN ALTITUDES INVALID
- * LINEAR INTERPOLATION BETWEEN TEMPERATURES INVALID
- * TAKEOFF PERFORMANCE IMPROVEMENTS ARE POSSIBLE USING GROOVED RUNWAY

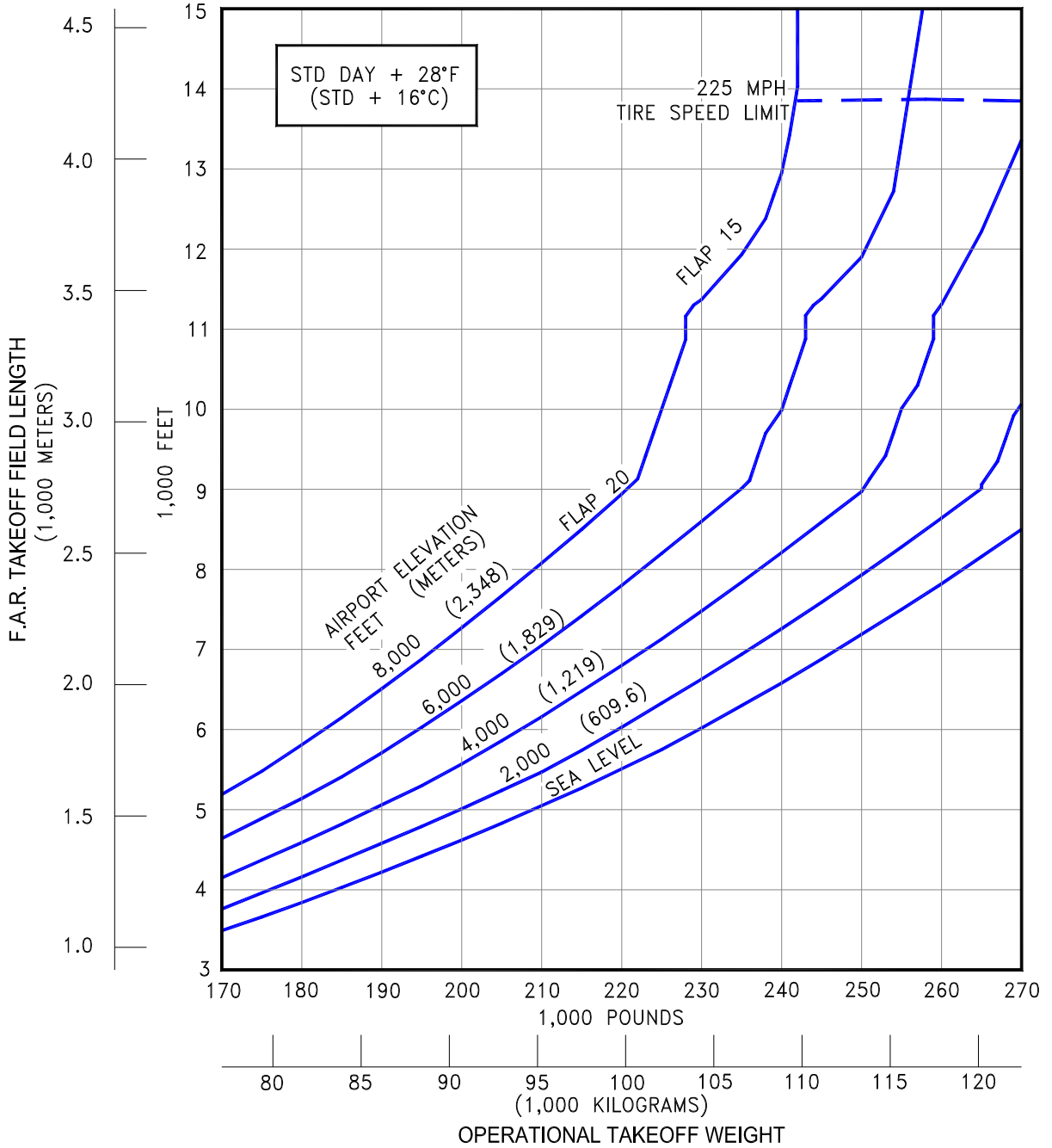


3.3.25 J.A.R. TAKEOFF RUNWAY LENGTH REQUIREMENTS - STANDARD DAY - WET RUNWAY
 MODEL 757-300 (PW2043 ENGINES)

D6-58327

NOTES:

- * NO ENGINE AIRBLEED FOR AIR CONDITIONING
- * ZERO WIND, ZERO RUNWAY GRADIENT
- * WET SMOOTH RUNWAY SURFACE
- * CONSULT USING AIRLINE FOR SPECIFIC OPERATING PROCEDURE PRIOR TO FACILITY DESIGN
- * LINEAR INTERPOLATION BETWEEN ALTITUDES INVALID
- * LINEAR INTERPOLATION BETWEEN TEMPERATURES INVALID
- * TAKEOFF PERFORMANCE IMPROVEMENTS ARE POSSIBLE USING GROOVED RUNWAY

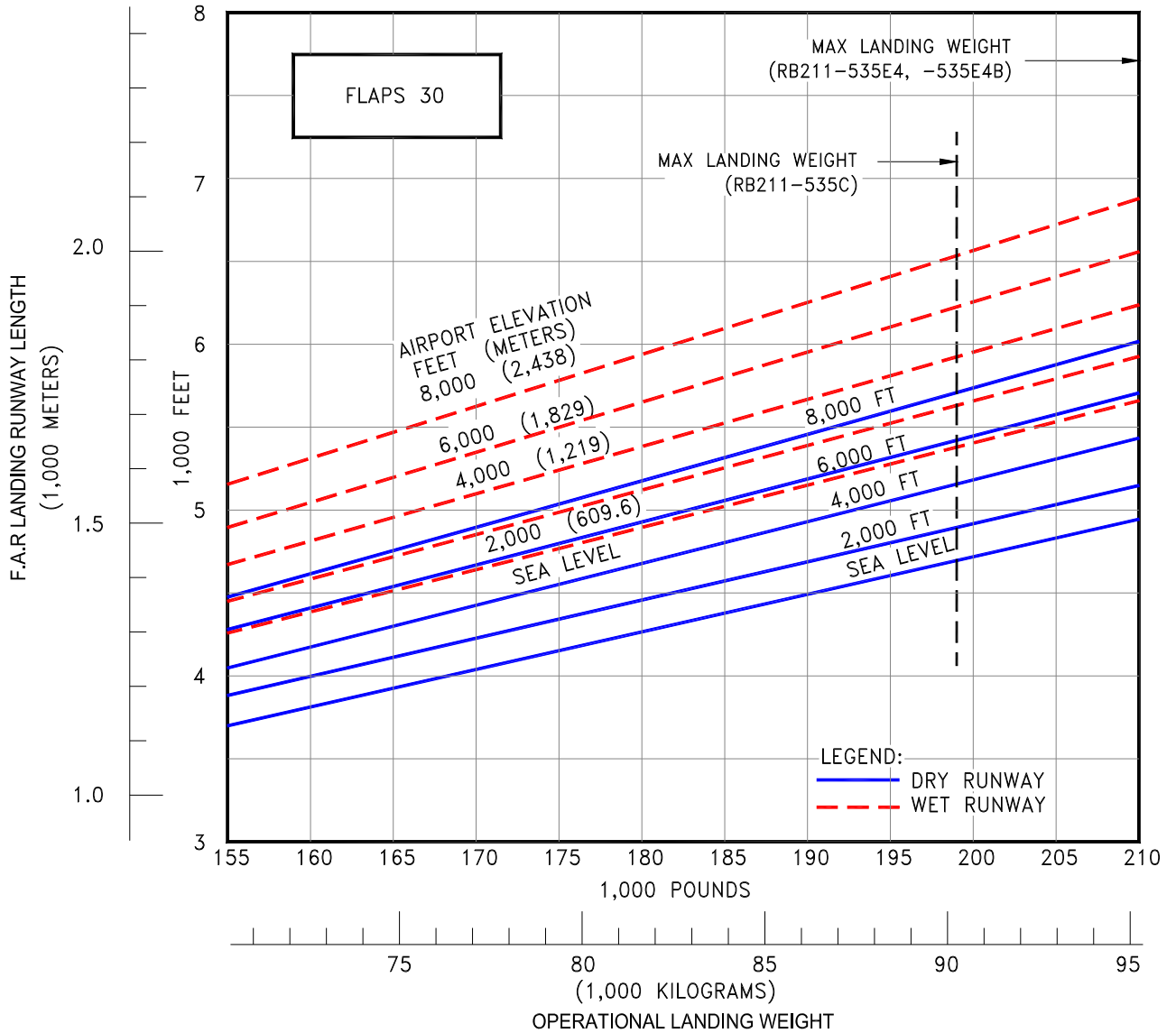


3.3.26 J.A.R. TAKEOFF RUNWAY LENGTH REQUIREMENTS
STANDARD DAY +28°F (STD + 15°C) - WET RUNWAY
 MODEL 757-300 (PW2043 ENGINES)

D6-58327

AUGUST 2002 63

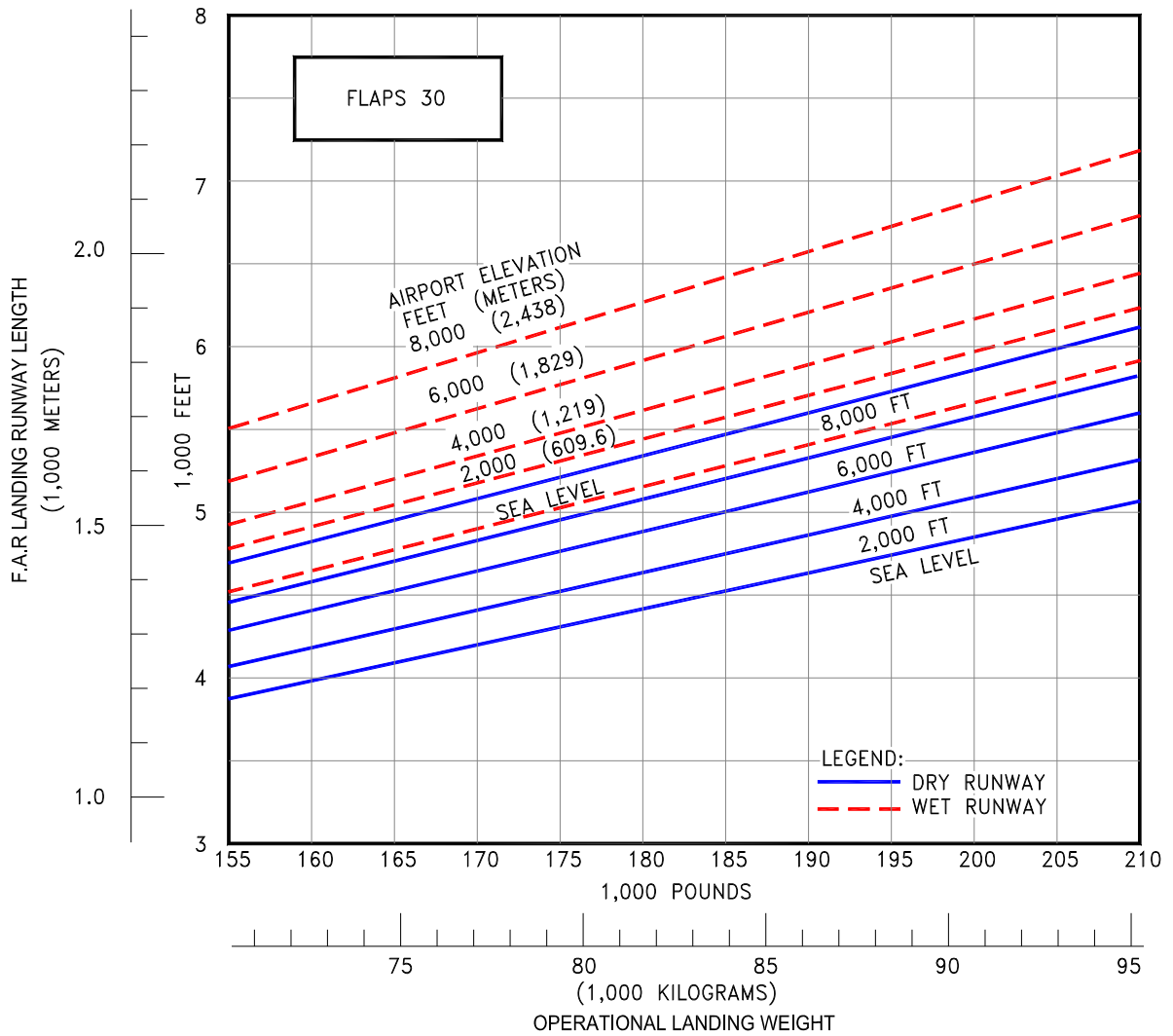
- NOTES:
- * STANDARD DAY
 - * AUTO SPOILERS OPERATIVE
 - * ANTI-SKID OPERATIVE
 - * CONSULT USING AIRLINE FOR SPECIFIC OPERATING PROCEDURE PRIOR TO FACILITY DESIGN
 - * ZERO WIND



3.4.1 F.A.R. LANDING RUNWAY LENGTH REQUIREMENTS
 MODEL 757-200 (RB211-535C, -535E4, -535E4B ENGINES)

D6-58327

- NOTES:
 * STANDARD DAY
 * AUTO SPOILERS OPERATIVE
 * ANTI-SKID OPERATIVE
 * CONSULT USING AIRLINE FOR SPECIFIC OPERATING PROCEDURE PRIOR TO FACILITY DESIGN
 * ZERO WIND

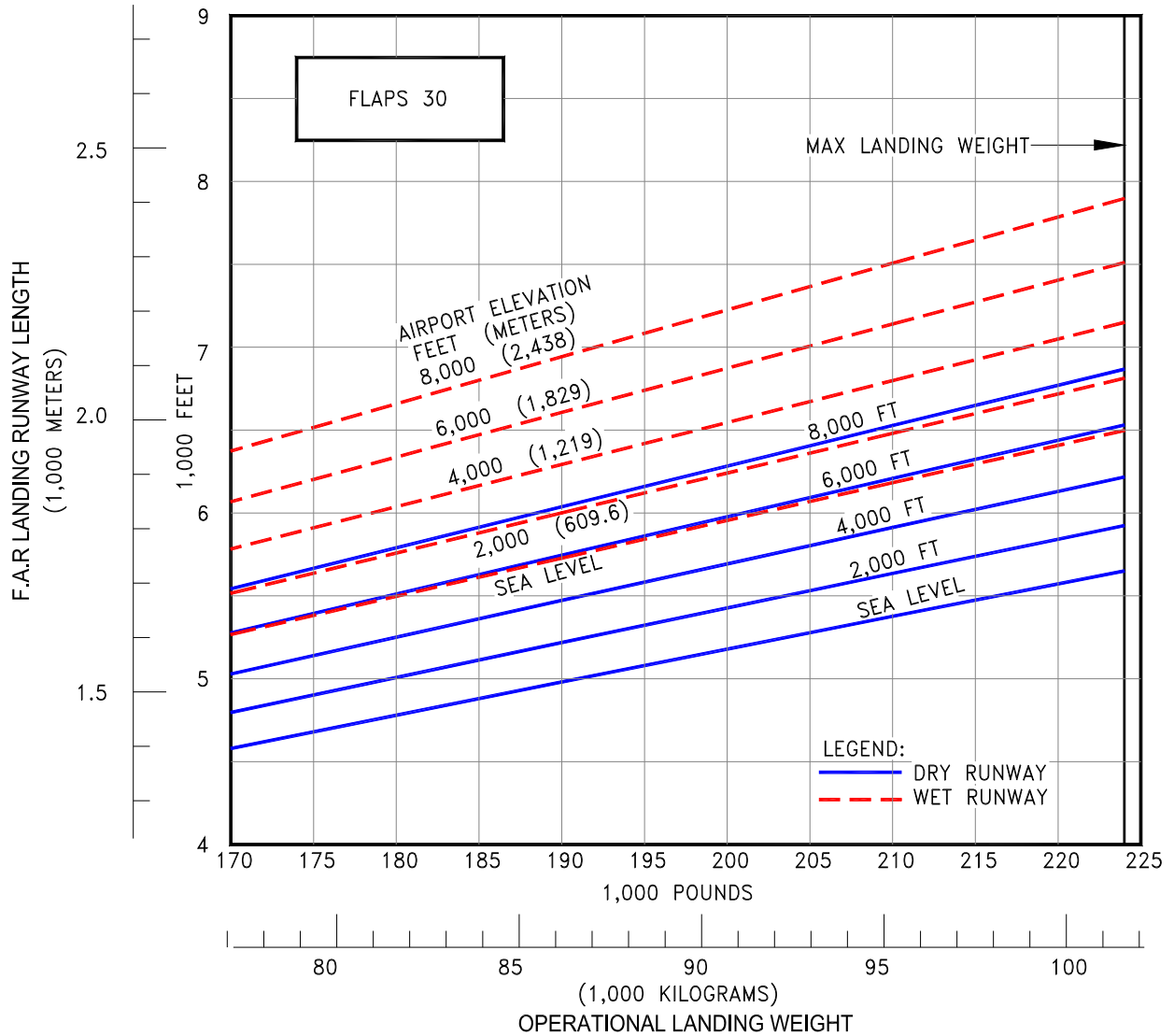


3.4.2 F.A.R. LANDING RUNWAY LENGTH REQUIREMENTS
 MODEL 757-200, -200PF (PW2037, PW2040 ENGINES)

D6-58327

JUNE 1999 65

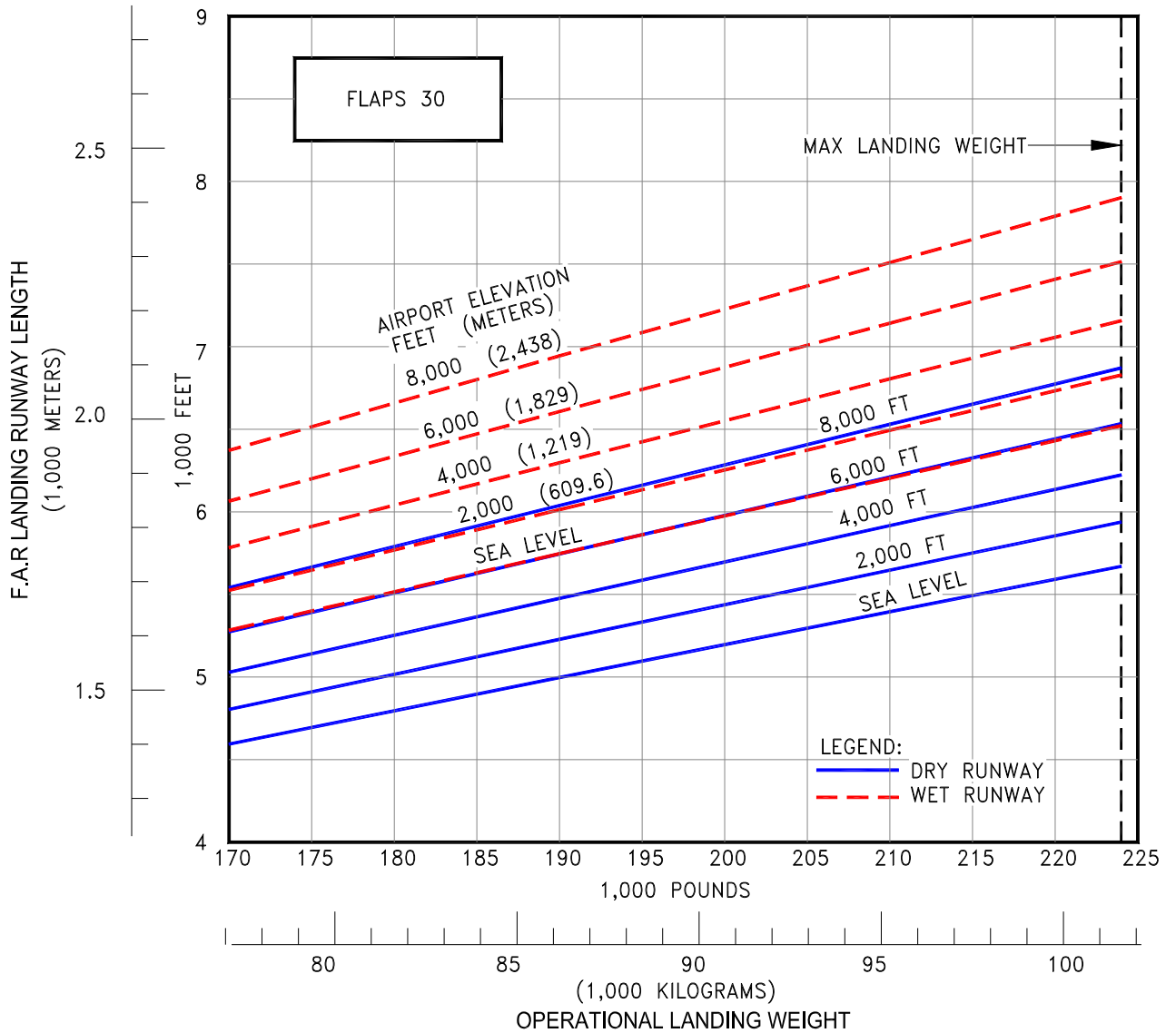
- NOTES:
 * STANDARD DAY
 * AUTO SPOILERS OPERATIVE
 * ANTI-SKID OPERATIVE
 * CONSULT USING AIRLINE FOR SPECIFIC OPERATING PROCEDURE PRIOR TO FACILITY DESIGN
 * ZERO WIND



3.4.3 F.A.R. LANDING RUNWAY LENGTH REQUIREMENTS
 MODEL 757-300 (RB211-535E4, -535E4B ENGINES)

D6-58327

- NOTES:
- * STANDARD DAY
 - * AUTO SPOILERS OPERATIVE
 - * ANTI-SKID OPERATIVE
 - * CONSULT USING AIRLINE FOR SPECIFIC OPERATING PROCEDURE PRIOR TO FACILITY DESIGN
 - * ZERO WIND



3.4.4 F.A.R. LANDING RUNWAY LENGTH REQUIREMENTS
 MODEL 757-300 (PW2040, PW2043 ENGINES)

D6-58327

AUGUST 2002 67

THIS PAGE INTENTIONALLY LEFT BLANK

4.0 GROUND MANEUVERING

4.1 General Information

4.2 Turning Radii

4.3 Clearance Radii

4.4 Visibility From Cockpit in Static Position

4.5 Runway and Taxiway Turn Paths

4.6 Runway Holding Bay

4.0 GROUND MANEUVERING

4.1 General Information

This section provides airplane turning capability and maneuvering characteristics.

For ease of presentation, these data have been determined from the theoretical limits imposed by the geometry of the aircraft, and where noted, provide for a normal allowance for tire slippage. As such, they reflect the turning capability of the aircraft in favorable operating circumstances. These data should be used only as guidelines for the method of determination of such parameters and for the maneuvering characteristics of this aircraft.

In the ground operating mode, varying airline practices may demand that more conservative turning procedures be adopted to avoid excessive tire wear and reduce possible maintenance problems. Airline operating procedures will vary in the level of performance over a wide range of operating circumstances throughout the world. Variations from standard aircraft operating patterns may be necessary to satisfy physical constraints within the maneuvering area, such as adverse grades, limited area, or high risk of jet blast damage. For these reasons, ground maneuvering requirements should be coordinated with the using airlines prior to layout planning.

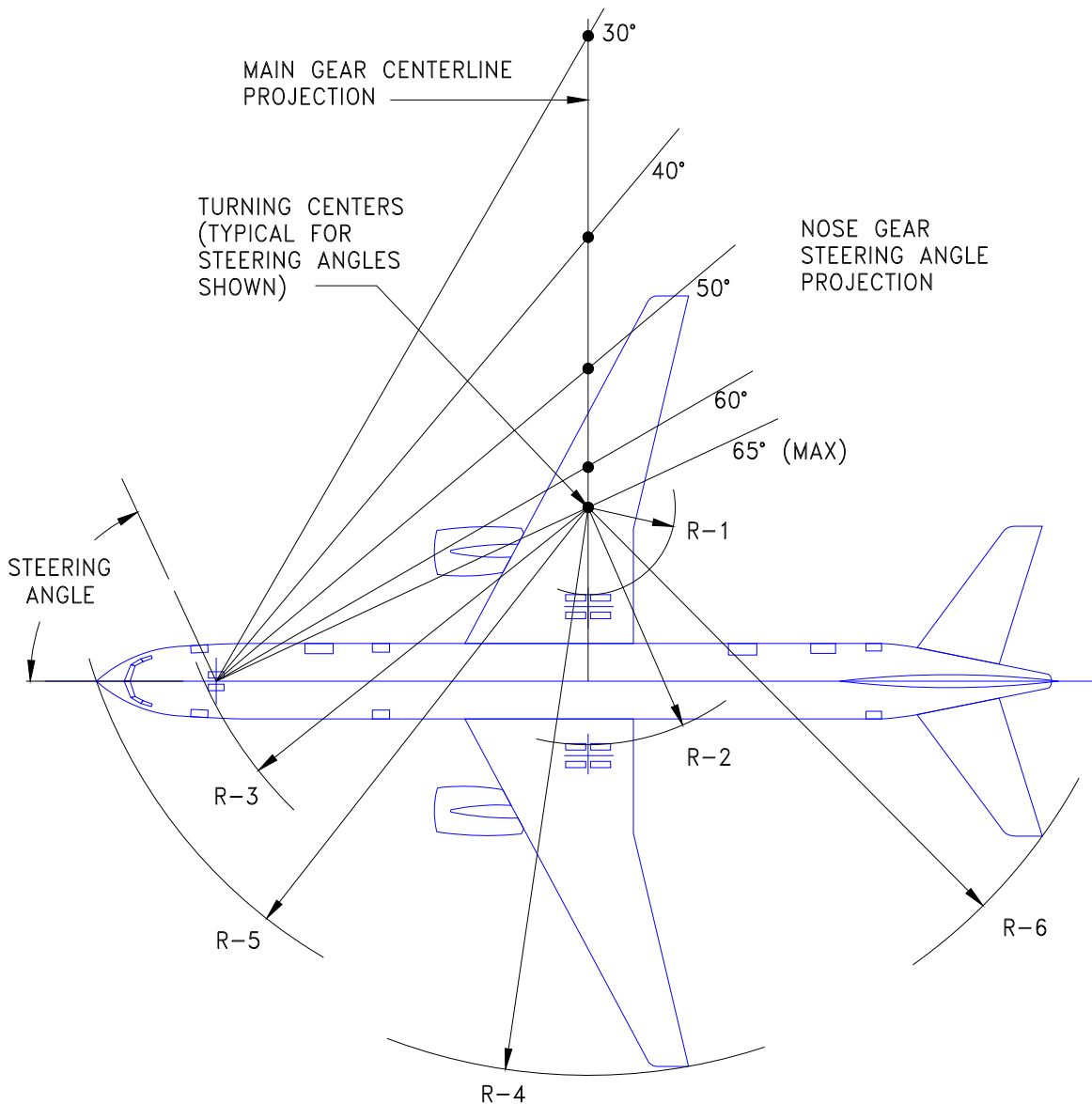
Section 4.2 shows turning radii for various nose gear steering angles. Radii for the main and nose gears are measured from the turn center to the outside of the tire.

Section 4.3 provides data on minimum width of pavement required for 180° turn.

Section 4.4 shows the pilot's visibility from the cockpit and the limits of ambinoocular vision through the windows. Ambinoocular vision is defined as the total field of vision seen simultaneously by both eyes.

Section 4.5 shows wheel paths of a 757-300 on runway to taxiway, and taxiway to taxiway turns. Wheel paths for the 757-200 would be slightly less than the 757-300 configurations.

Section 4.6 illustrates a typical runway holding bay configuration for the 757-300.



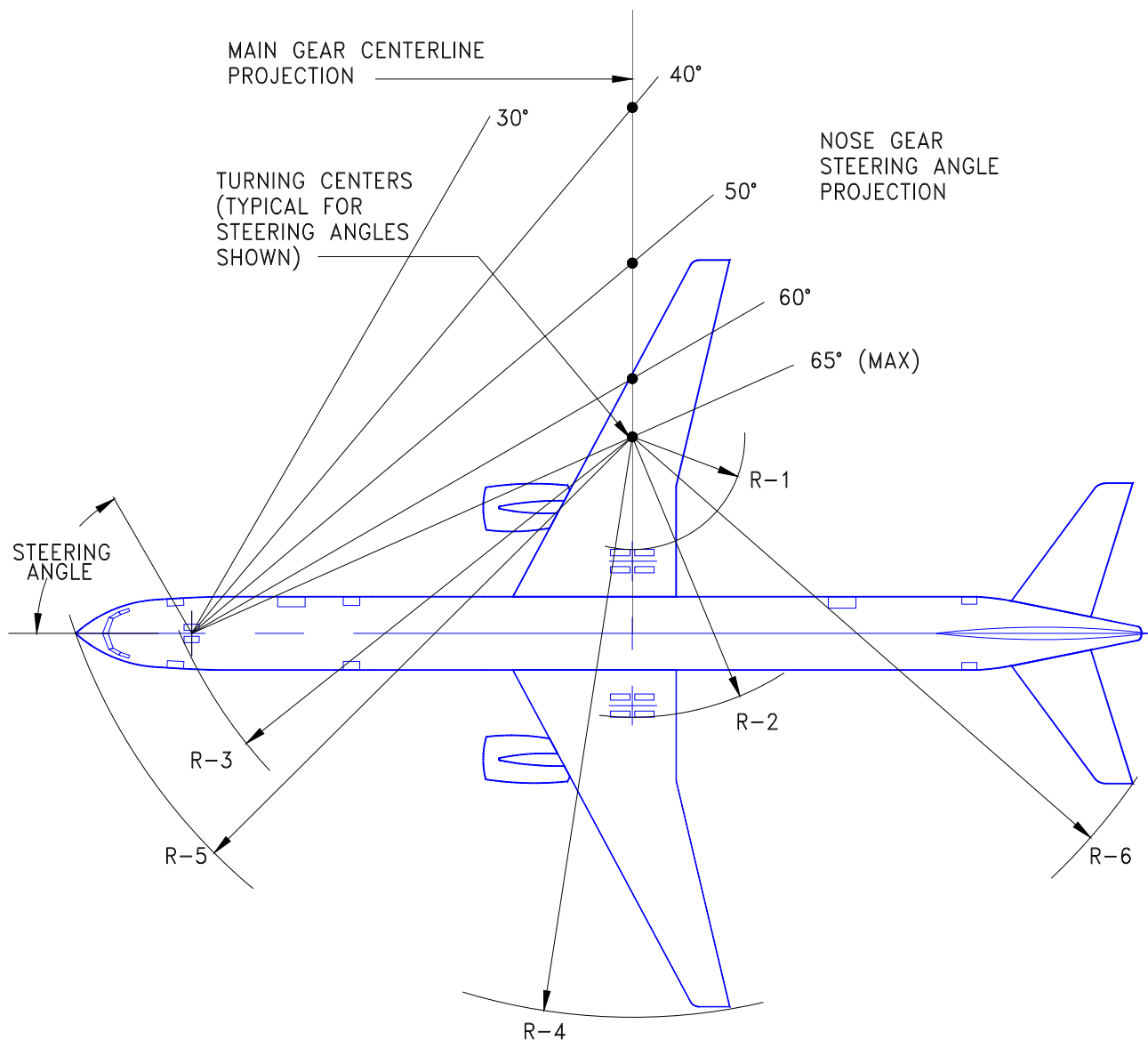
NOTES: *ACTUAL OPERATING TURNING RADII MAY BE GREATER THAN SHOWN.
 * CONSULT WITH AIRLINE FOR SPECIFIC OPERATING PROCEDURE
 * DIMENSIONS ROUNDED TO NEAREST FOOT AND 0.1 METER.

| STEERING ANGLE (DEG) | R1 INNER GEAR | | R2 OUTER GEAR | | R3 NOSE GEAR | | R4 WING TIP | | R5 NOSE | | R6 TAIL | |
|----------------------------|------------------|------|------------------|------|-----------------|------|----------------|------|------------|------|------------|------|
| | FT | M | FT | M | FT | M | FT | M | FT | M | FT | M |
| 30 | 90 | 27.4 | 118 | 35.9 | 122 | 37.0 | 167 | 50.9 | 131 | 39.9 | 149 | 45.3 |
| 35 | 72 | 21.9 | 100 | 30.4 | 106 | 32.3 | 149 | 45.4 | 117 | 35.6 | 133 | 40.6 |
| 40 | 58 | 17.5 | 86 | 26.1 | 95 | 28.9 | 135 | 41.1 | 107 | 32.6 | 121 | 37.0 |
| 45 | 46 | 14.0 | 74 | 22.6 | 86 | 26.3 | 124 | 37.6 | 99 | 30.3 | 112 | 34.3 |
| 50 | 36 | 11.1 | 64 | 19.6 | 80 | 24.4 | 114 | 34.7 | 94 | 28.6 | 105 | 32.1 |
| 55 | 28 | 8.5 | 56 | 17.1 | 75 | 22.8 | 106 | 32.2 | 90 | 27.3 | 100 | 30.4 |
| 60 | 21 | 6.3 | 49 | 14.8 | 71 | 21.6 | 98 | 30.0 | 87 | 26.4 | 95 | 28.9 |
| 65 (MAX) | 14 | 4.3 | 42 | 12.8 | 68 | 20.6 | 92 | 28.0 | 84 | 25.6 | 91 | 27.6 |

4.2.1 TURNING RADII - NO SLIP ANGLE
 MODEL 757-200

D6-58327

JUNE 1999 71



NOTES: *ACTUAL OPERATING TURNING RADII MAY BE GREATER THAN SHOWN.
 * CONSULT WITH AIRLINE FOR SPECIFIC OPERATING PROCEDURE
 * DIMENSIONS ROUNDED TO NEAREST FOOT AND 0.1 METER.

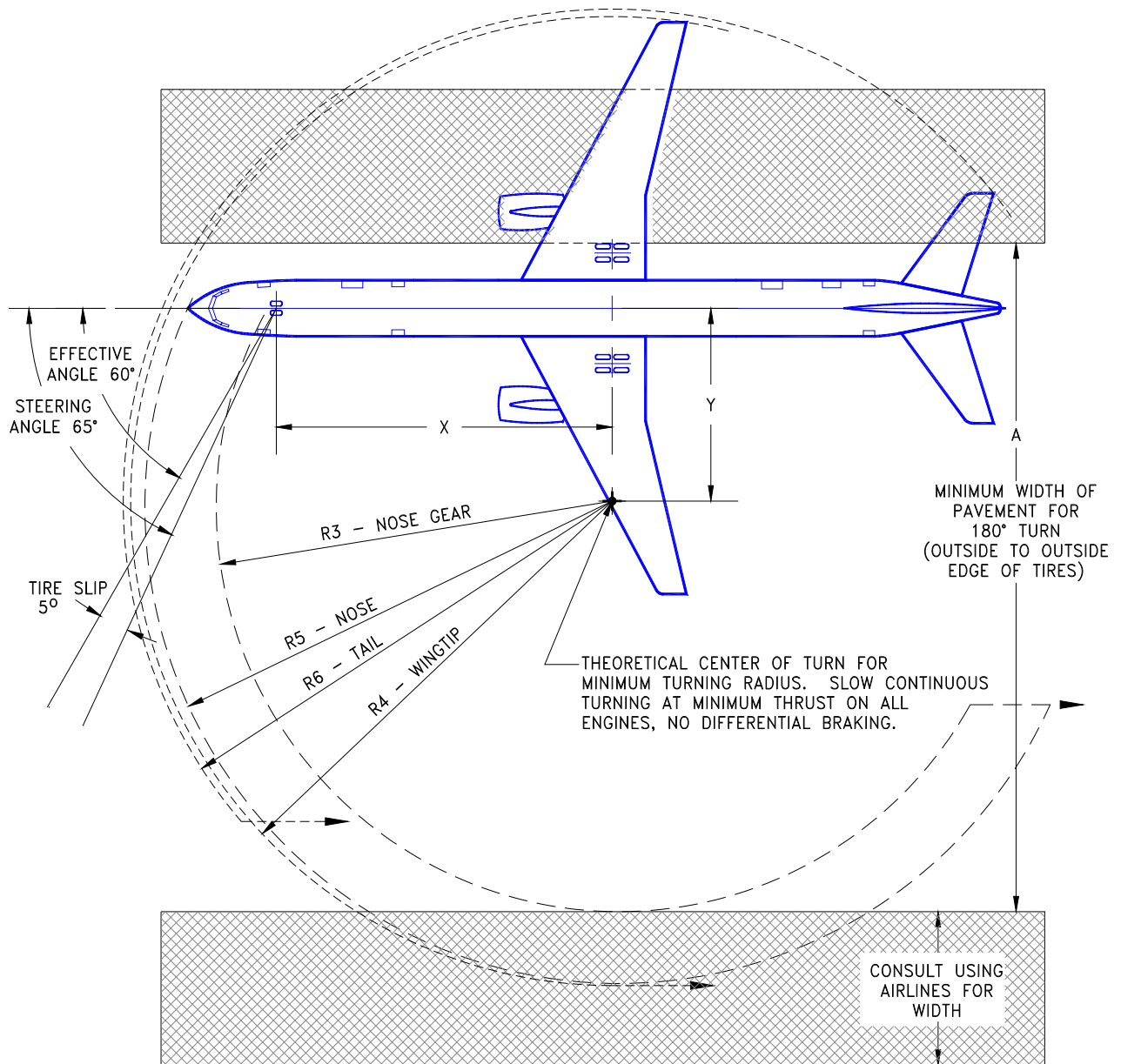
| STEERING ANGLE (DEG) | R1 INNER GEAR | | R2 OUTER GEAR | | R3 NOSE GEAR | | R4 WING TIP | | R5 NOSE | | R6 TAIL | |
|----------------------|---------------|------|---------------|------|--------------|------|-------------|------|---------|------|---------|------|
| | FT | M | FT | M | FT | M | FT | M | FT | M | FT | M |
| 30 | 113 | 34.4 | 141 | 43.0 | 148 | 45.2 | 190 | 57.9 | 157 | 47.9 | 173 | 52.9 |
| 35 | 91 | 27.6 | 119 | 36.2 | 129 | 39.4 | 168 | 51.2 | 140 | 42.6 | 154 | 47.0 |
| 40 | 73 | 22.4 | 101 | 30.9 | 115 | 35.2 | 151 | 45.9 | 127 | 38.8 | 140 | 42.7 |
| 45 | 59 | 18.1 | 87 | 26.6 | 105 | 32.1 | 137 | 41.7 | 118 | 36.0 | 129 | 39.3 |
| 50 | 47 | 14.5 | 76 | 23.0 | 97 | 29.6 | 125 | 38.1 | 111 | 33.9 | 120 | 36.7 |
| 55 | 37 | 11.4 | 65 | 19.9 | 91 | 27.7 | 115 | 35.0 | 106 | 32.3 | 113 | 34.5 |
| 60 | 28 | 8.6 | 56 | 17.2 | 86 | 26.3 | 106 | 32.3 | 102 | 31.0 | 107 | 32.7 |
| 65 (MAX) | 20 | 6.2 | 48 | 14.7 | 82 | 25.1 | 98 | 29.8 | 99 | 30.1 | 102 | 31.2 |

4.2.2 TURNING RADII - NO SLIP ANGLE
 MODEL 757-300

D6-58327

72 JUNE 1999

Not Subject to EAR or ITAR.
 Copyright © 2023 Boeing. All Rights Reserved.



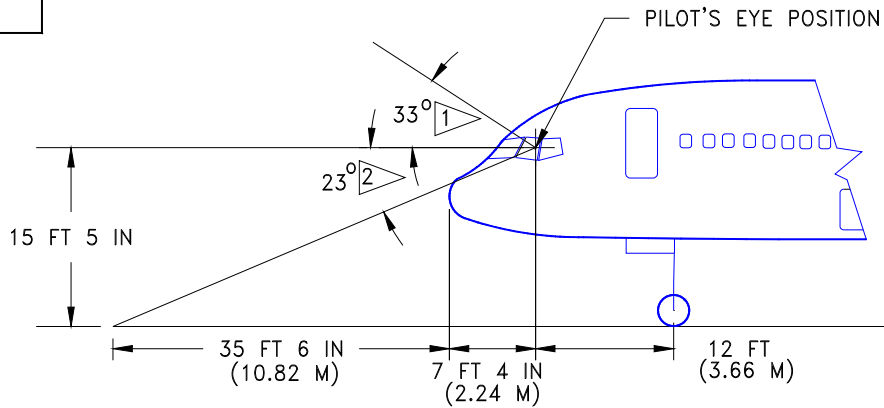
- NOTES:
- 5° TIRE SLIP ANGLE APPROXIMATE FOR 65° STEERING ANGLE.
 - CONSULT USING AIRLINE FOR SPECIFIC OPERATING PROCEDURE
 - DIMENSIONS ROUNDED TO NEAREST FOOT AND 0.10 METER.

| MODEL | EFF STEERING ANGLE-DEG | X | | Y | | A | | R3 | | R4 | | R5 | | R6 | |
|---------|------------------------|----|------|----|------|-----|------|----|------|-----|------|-----|------|-----|------|
| | | FT | M | FT | M | FT | M | FT | M | FT | M | FT | M | FT | M |
| 757-200 | 60 | 60 | 18.3 | 35 | 10.5 | 120 | 36.4 | 71 | 21.6 | 98 | 30.0 | 87 | 26.4 | 95 | 28.9 |
| 757-300 | 60 | 73 | 22.3 | 42 | 12.9 | 141 | 43.0 | 86 | 26.3 | 106 | 32.3 | 102 | 31.0 | 107 | 32.7 |

4.3 CLEARANCE RADII
MODEL 757-200,-300

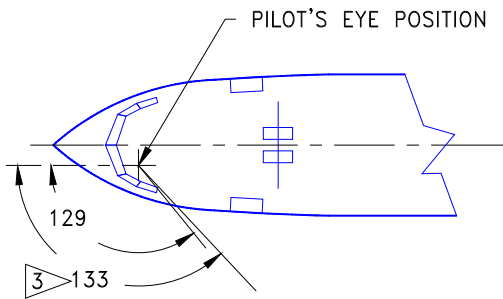
NOT TO BE USED
FOR LANDING
APPROACH VISIBILITY

NOT TO SCALE



VISUAL ANGLES IN PLANE PARALLEL
TO LONGITUDINAL AXIS THROUGH
PILOT'S EYE POSITION

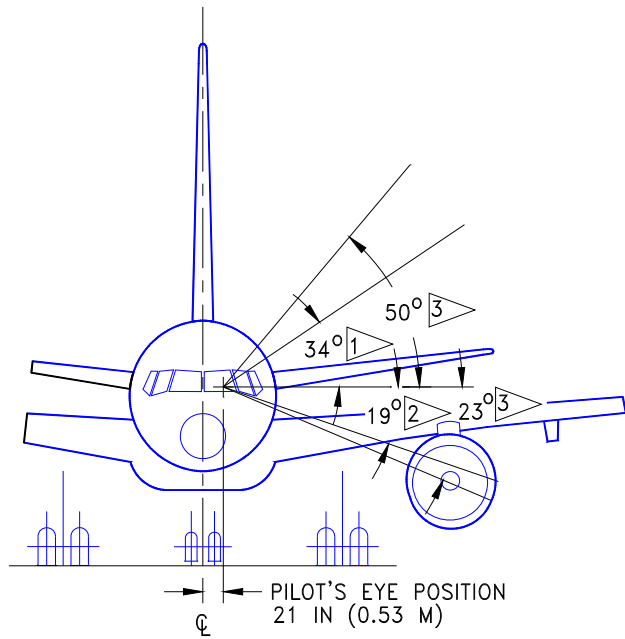
NOTE: AIRPLANE RESTS AT 3.2° NOSE-DOWN ANGLE ON RUNWAY



VISUAL ANGLES IN HORIZONTAL PLANE
THROUGH PILOT'S EYE POSITION

NOTE:
HEAD ROTATED ABOUT POINT
3.3 IN (0,88 M) AFT OF
PILOT'S EYE POSITION

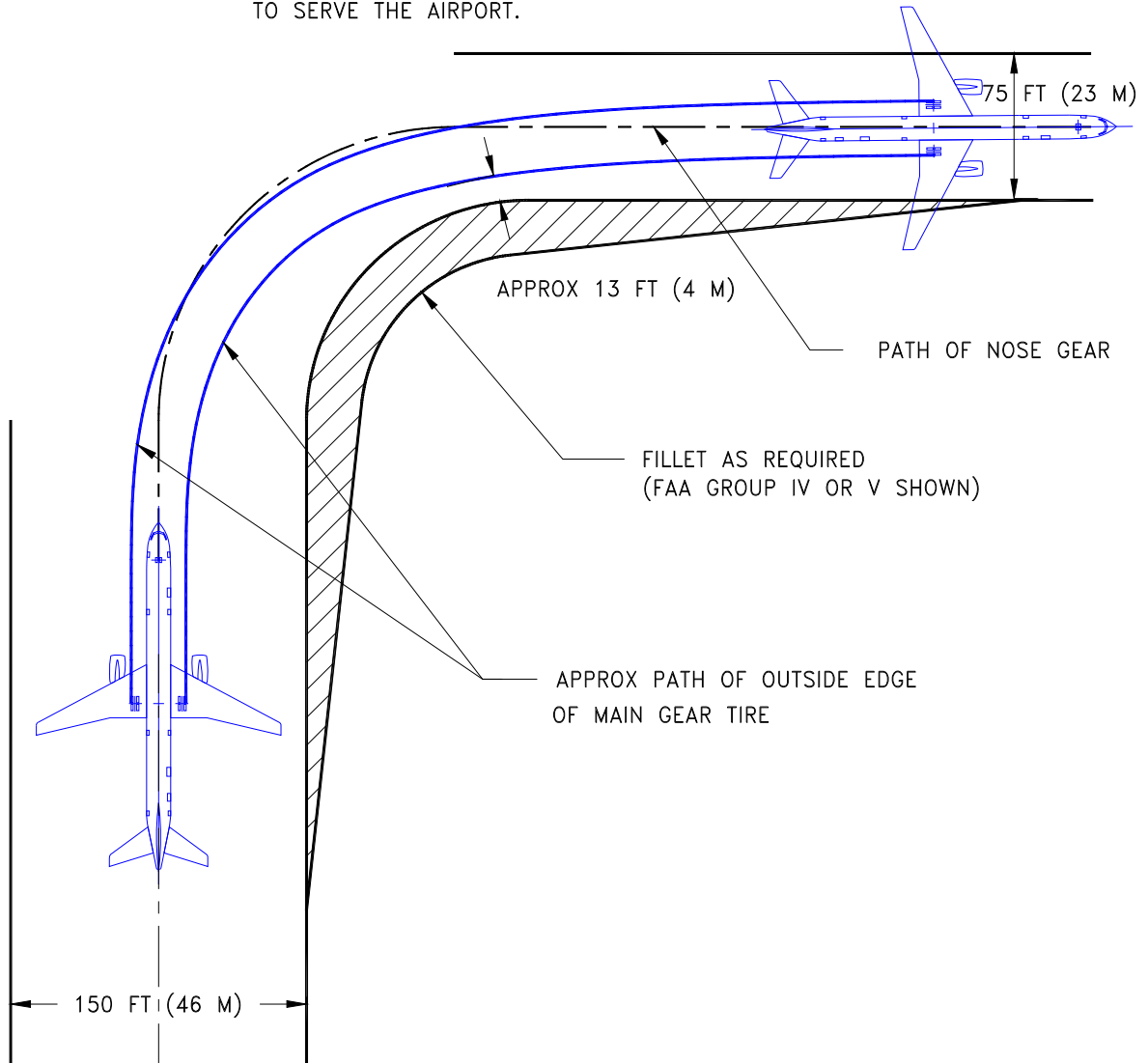
- 1 UPWARD VISION THROUGH MAIN WINDOW
- 2 DOWNWARD VISION THROUGH MAIN WINDOW
- 3 WITH HEAD MOVED 5 IN (0.13 M) OUTBOARD
NOTE: IF HEAD IS MOVED 2 IN (0.05 M)
FORWARD, SO VISION WILL CLEAR
WINDOW POST, DOWN VISION 2
BECOMES 29° AND DOWN VISION 3
BECOMES 35°



VISUAL ANGLES IN PLANE
PERPENDICULAR TO LONGITUDINAL AXIS
THROUGH PILOT'S EYE POSITION

4.4 VISIBILITY FROM COCKPIT IN STATIC POSITION MODEL 757-200, -300

NOTE:
 BEFORE DETERMINING THE SIZE OF THE
 INTERSECTION FILLET, CHECK WITH THE
 AIRLINES REGARDING THE OPERATING
 PROCEDURES THAT THEY USE AND THE
 AIRCRAFT TYPES THAT ARE EXPECTED
 TO SERVE THE AIRPORT.



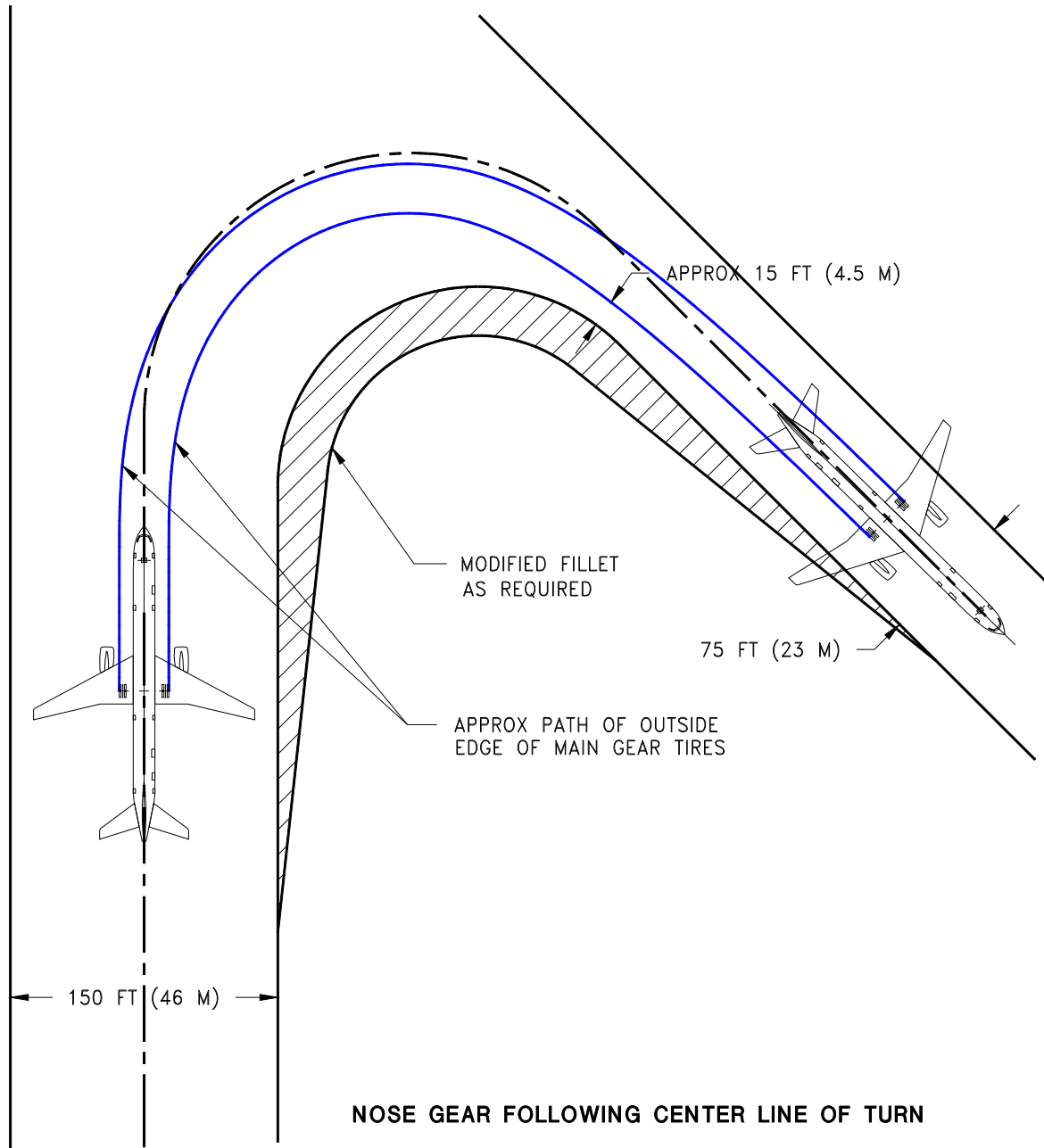
NOSE GEAR FOLLOWING CENTER LINE OF TURN

4.5.1 RUNWAY AND TAXIWAY TURNPATHS - 90° TURN - RUNWAY-TO-TAXIWAY
 MODEL 757-300

D6-58327

JUNE 1999 75

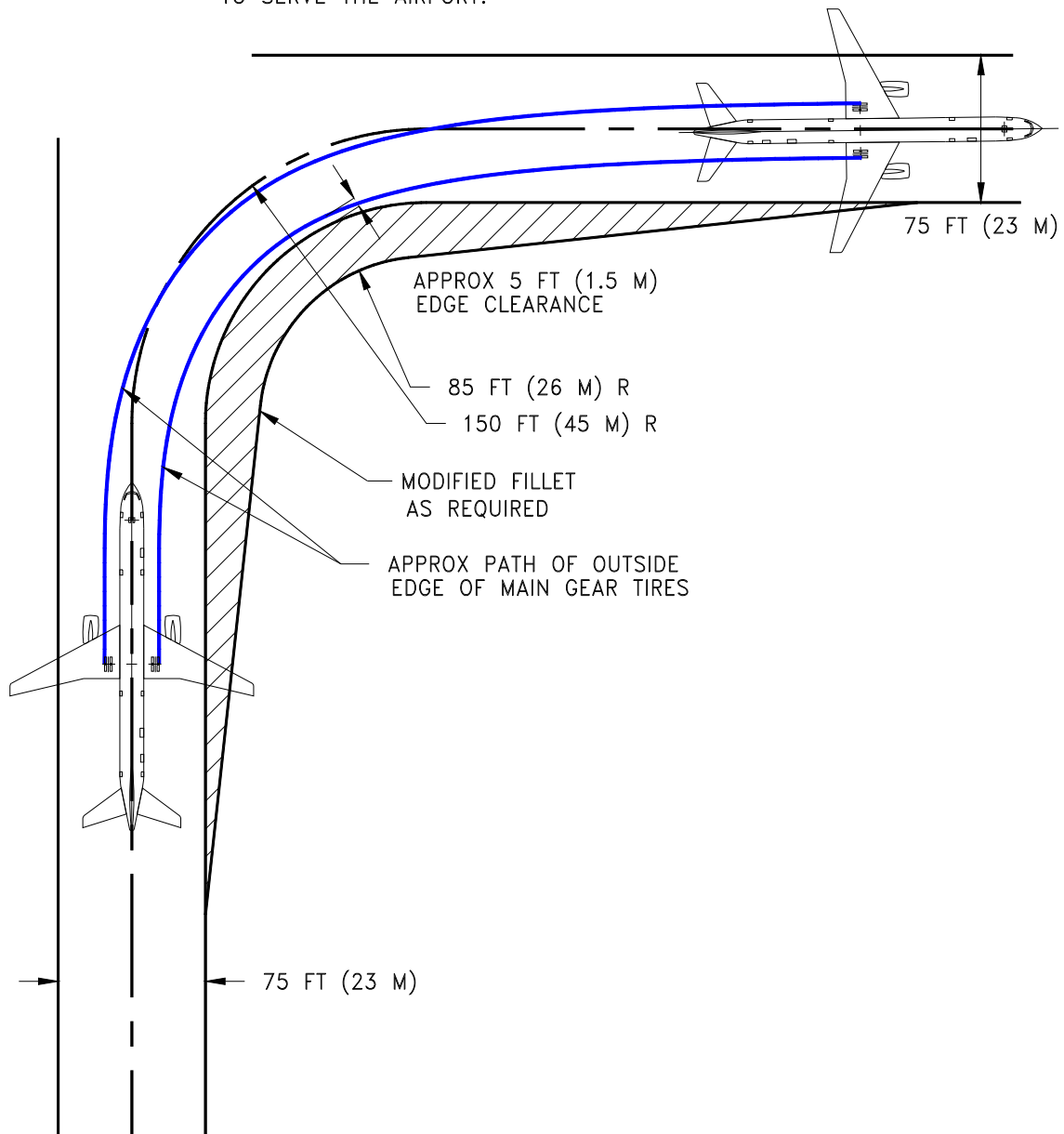
NOTE:
BEFORE DETERMINING THE SIZE OF THE
INTERSECTION FILLET, CHECK WITH THE
AIRLINES REGARDING THE OPERATING
PROCEDURES THAT THEY USE AND THE
AIRCRAFT TYPES THAT ARE EXPECTED
TO SERVE THE AIRPORT.



**4.5.2 RUNWAY AND TAXIWAY TURNPATHS - MORE THAN 90° TURN -
RUNWAY-TO-TAXIWAY**
MODEL 757-300

D6-58327

NOTE:
BEFORE DETERMINING THE SIZE OF THE
INTERSECTION FILLET, CHECK WITH THE
AIRLINES REGARDING THE OPERATING
PROCEDURES THAT THEY USE AND THE
AIRCRAFT TYPES THAT ARE EXPECTED
TO SERVE THE AIRPORT.



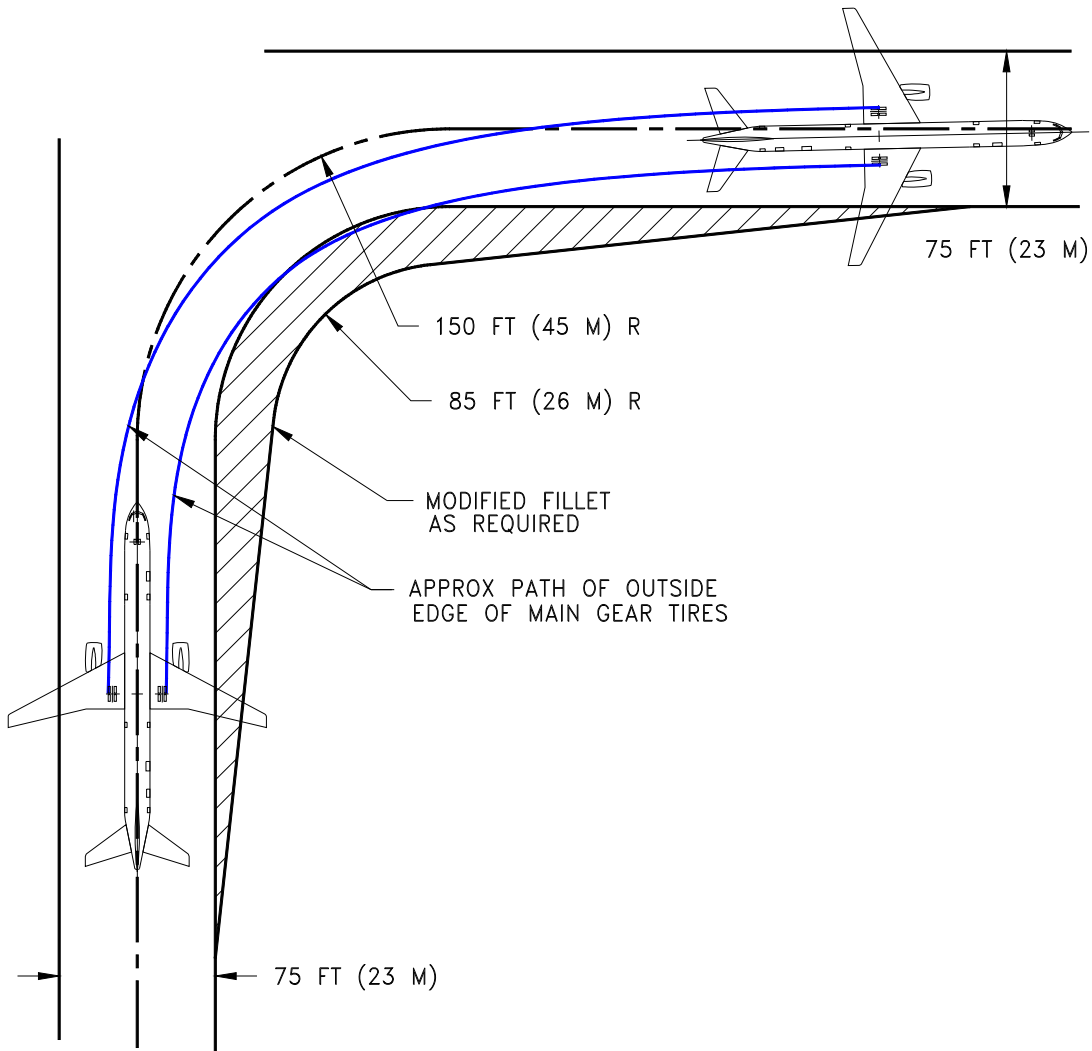
NOSE GEAR FOLLOWING CENTER LINE OF TURN

**4.5.3 RUNWAY AND TAXIWAY TURNPATHS - TAXIWAY-TO-TAXIWAY,
90 DEGREES, NOSE GEAR TRACKS CENTERLINE
MODEL 757-300**

D6-58327

JUNE 1999 77

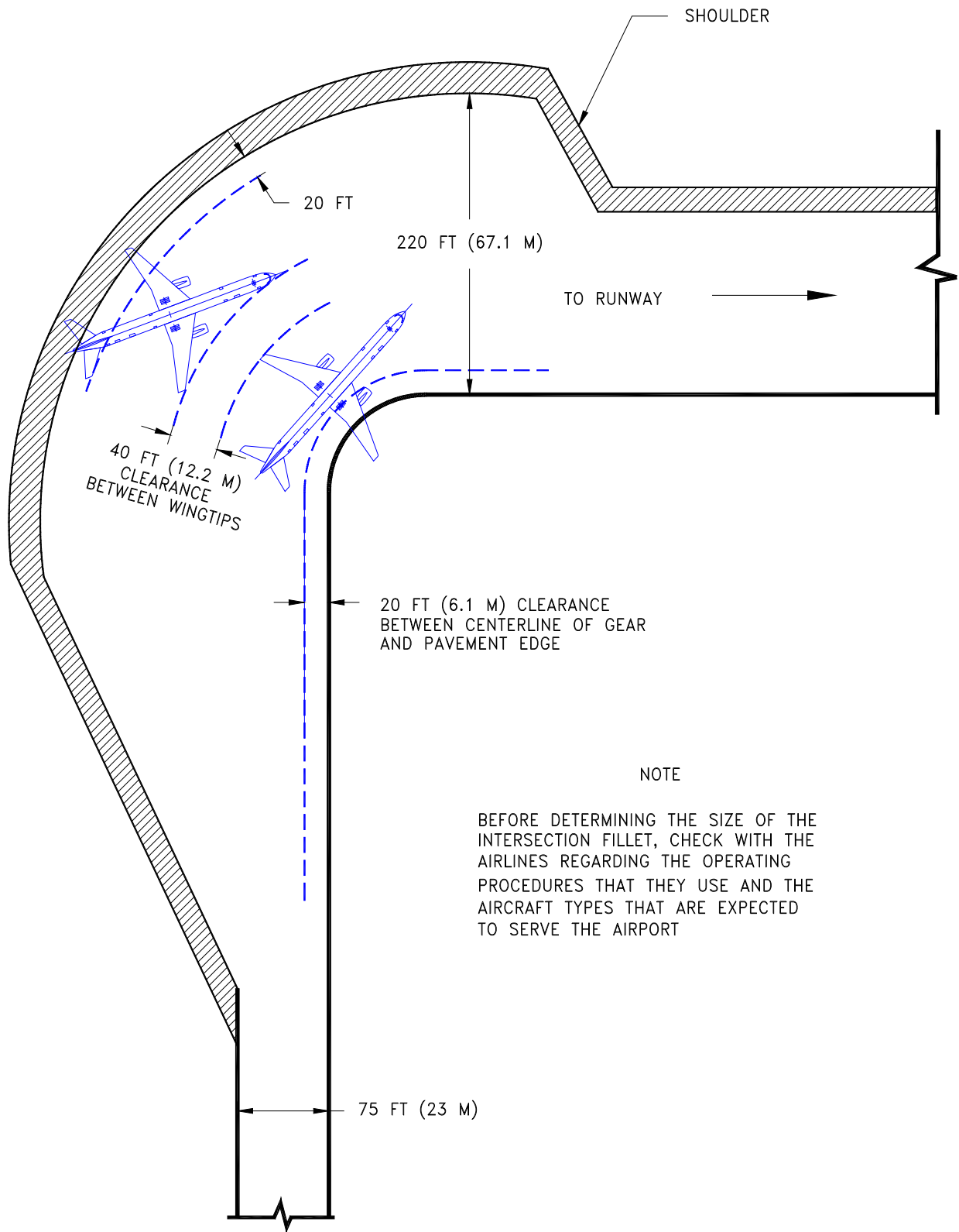
NOTE:
 BEFORE DETERMINING THE SIZE OF THE
 INTERSECTION FILLET, CHECK WITH THE
 AIRLINES REGARDING THE OPERATING
 PROCEDURES THAT THEY USE AND THE
 AIRCRAFT TYPES THAT ARE EXPECTED
 TO SERVE THE AIRPORT.



COCKPIT FOLLOWING CENTER LINE OF TURN

**4.5.4 RUNWAY AND TAXIWAY TURNPATHS - TAXIWAY-TO-TAXIWAY,
 90 DEGREES, COCKPIT TRACKS CENTERLINE
 MODEL 757-300**

D6-58327



4.6 RUNWAY HOLDING BAY
 MODEL 757-300

D6-58327

JUNE 1999 79

THIS PAGE INTENTIONALLY LEFT BLANK

5.0 TERMINAL SERVICING

5.1 Airplane Servicing Arrangement - Typical Turnaround

5.2 Terminal Operations - Turnaround Station

5.3 Terminal Operations - En Route Station

5.4 Ground Servicing Connections

5.5 Engine Starting Pneumatic Requirements

5.6 Ground Pneumatic Power Requirements

5.7 Conditioned Air Requirements

5.8 Ground Towing Requirements

5.0 TERMINAL SERVICING

During turnaround at the terminal, certain services must be performed on the aircraft, usually within a given time, to meet flight schedules. This section shows service vehicle arrangements, schedules, locations of service points, and typical service requirements. The data presented in this section reflect ideal conditions for a single airplane. Service requirements may vary according to airplane condition and airline procedure.

Section 5.1 shows typical arrangements of ground support equipment during turnaround. As noted, if the auxiliary power unit (APU) is used, the electrical, air start, and air-conditioning service vehicles would not be required. Passenger loading bridges or portable passenger stairs could be used to load or unload passengers.

Sections 5.2 and 5.3 show typical service times at the terminal. These charts give typical schedules for performing service on the airplane within a given time. Service times could be rearranged to suit availability of personnel, airplane configuration, and degree of service required.

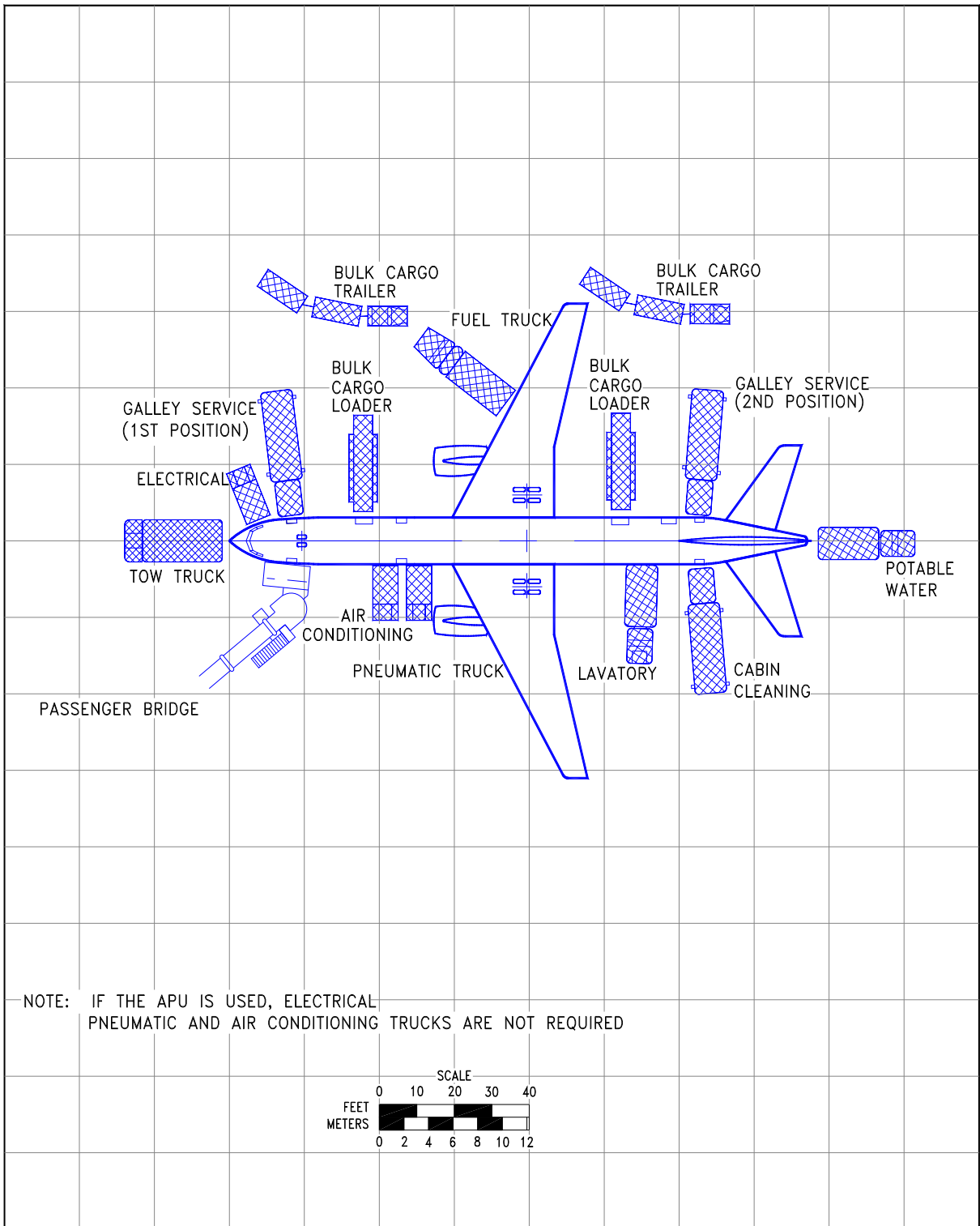
Section 5.4 shows the locations of ground service connections in graphic and in tabular forms. Typical capacities and service requirements are shown in the tables. Services with requirements that vary with conditions are described in subsequent sections.

Section 5.5 shows typical sea level air pressure and flow requirements for starting different engines. The curves are based on an engine start time of 90 seconds.

Section 5.6 shows air conditioning requirements for heating and cooling (pull-down and pull-up) using ground conditioned air. The curves show airflow requirements to heat or cool the airplane within a given time at ambient conditions.

Section 5.7 shows air conditioning requirements for heating and cooling to maintain a constant cabin air temperature using low pressure conditioned air. This conditioned air is supplied through an 8-in ground air connection (GAC) directly to the passenger cabin, bypassing the air cycle machines.

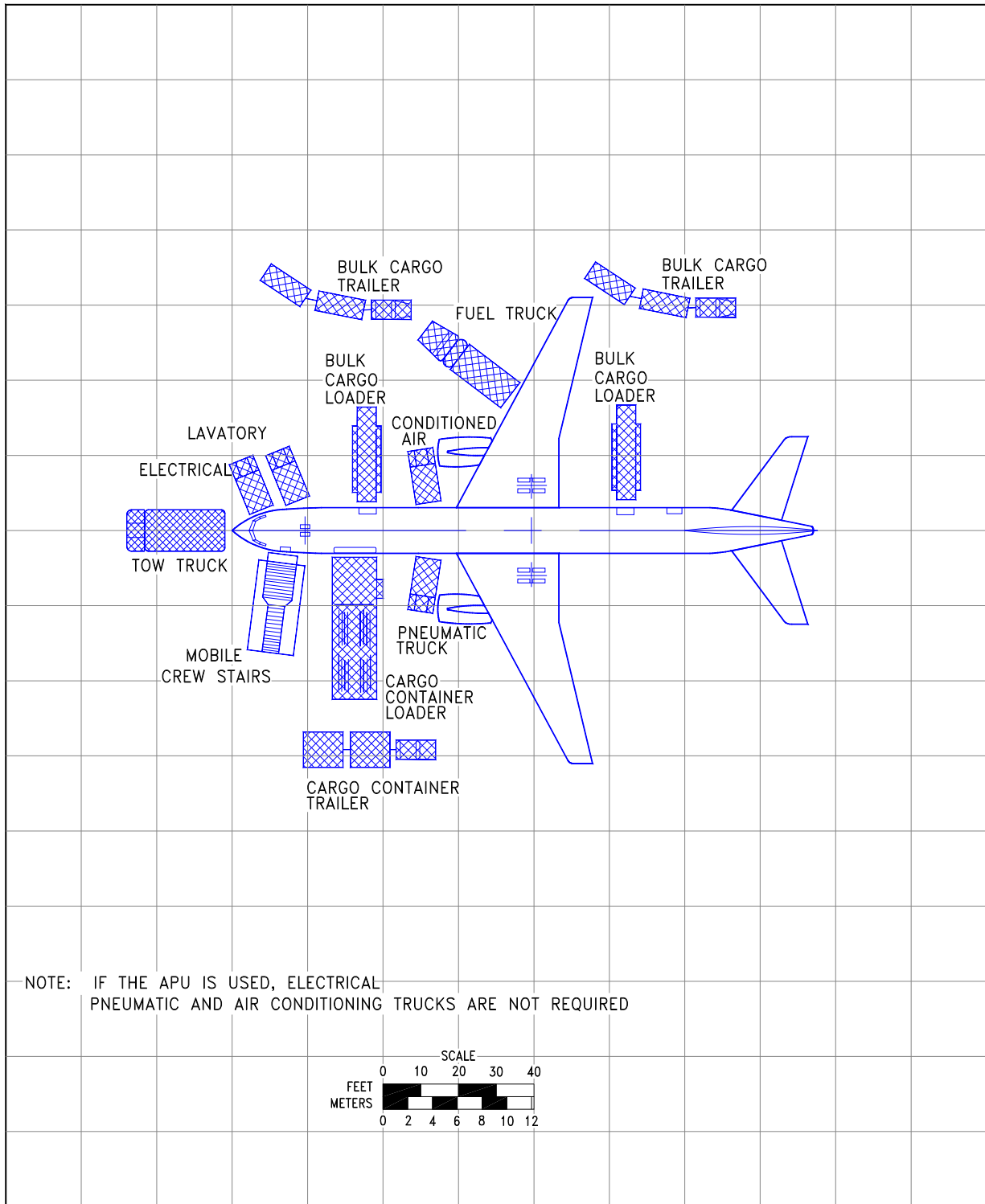
Section 5.8 shows ground towing requirements for various ground surface conditions.



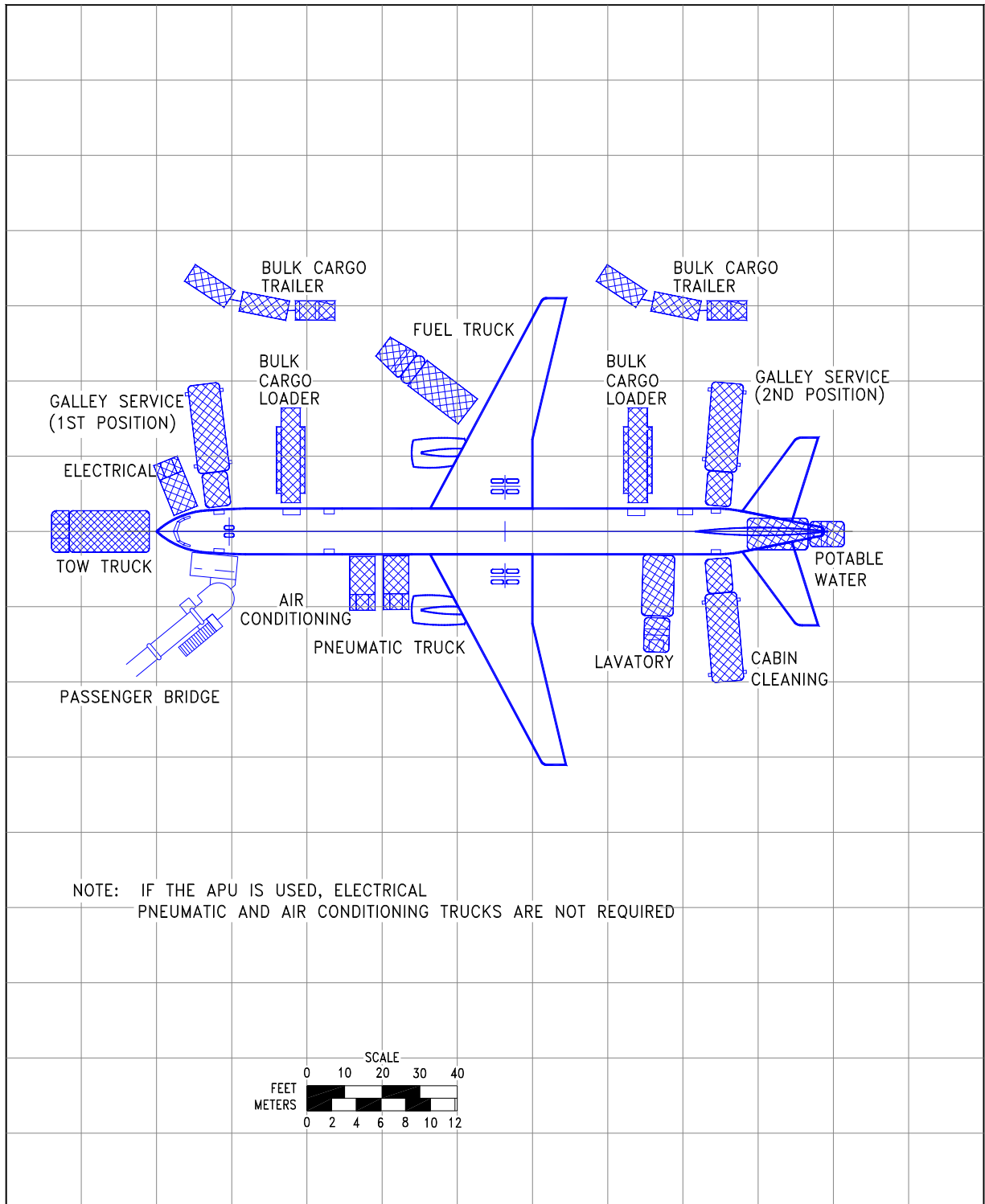
5.1.1. AIRPLANE SERVICING ARRANGEMENT - TYPICAL TURNAROUND
 MODEL 757-200

D6-58327

JUNE 1999 83



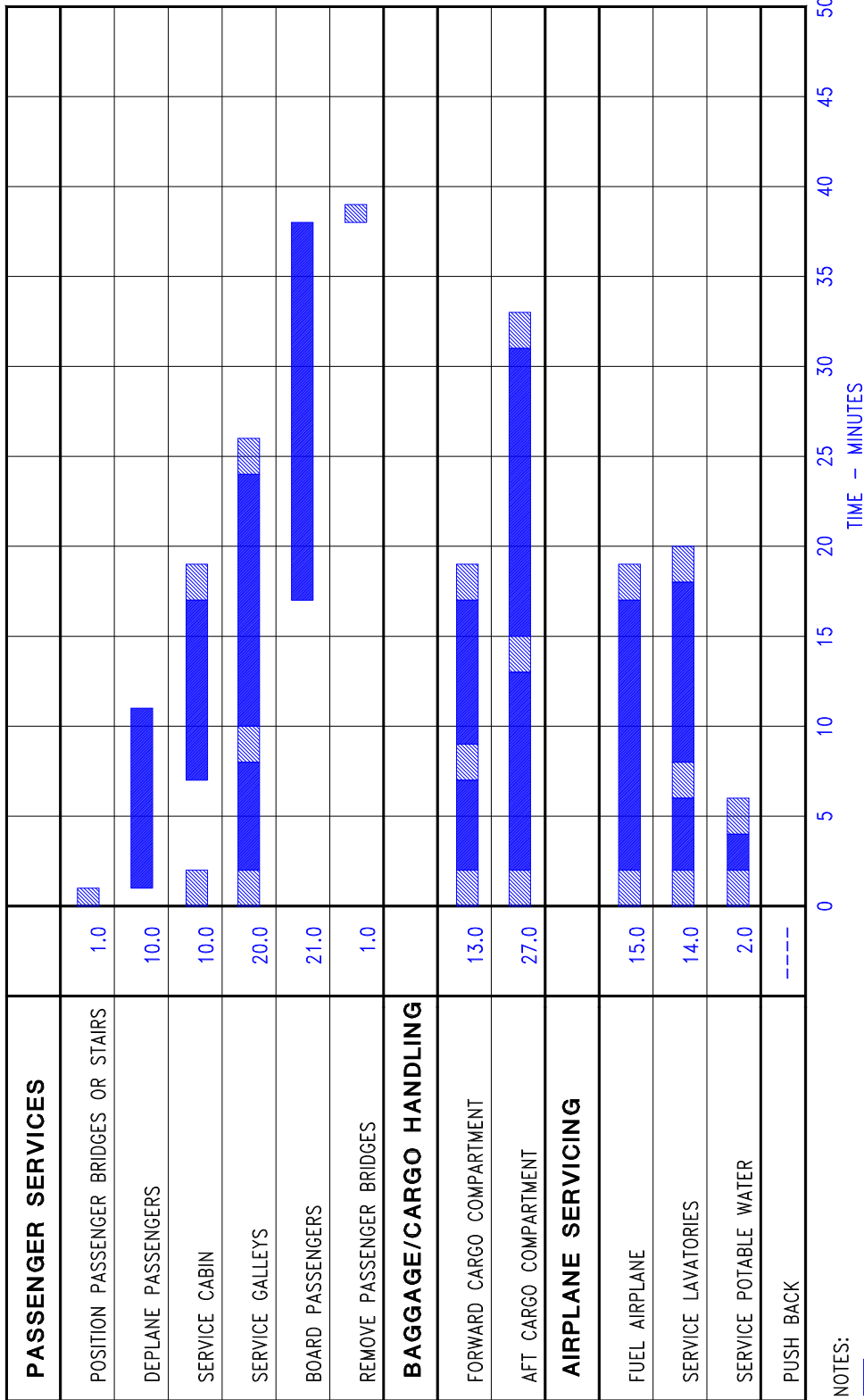
5.1.2. AIRPLANE SERVICING ARRANGEMENT - TYPICAL TURNAROUND
 MODEL 757-200PF



5.1.3. AIRPLANE SERVICING ARRANGEMENT - TYPICAL TURNAROUND
 MODEL 757-300

D6-58327

JUNE 1999 85

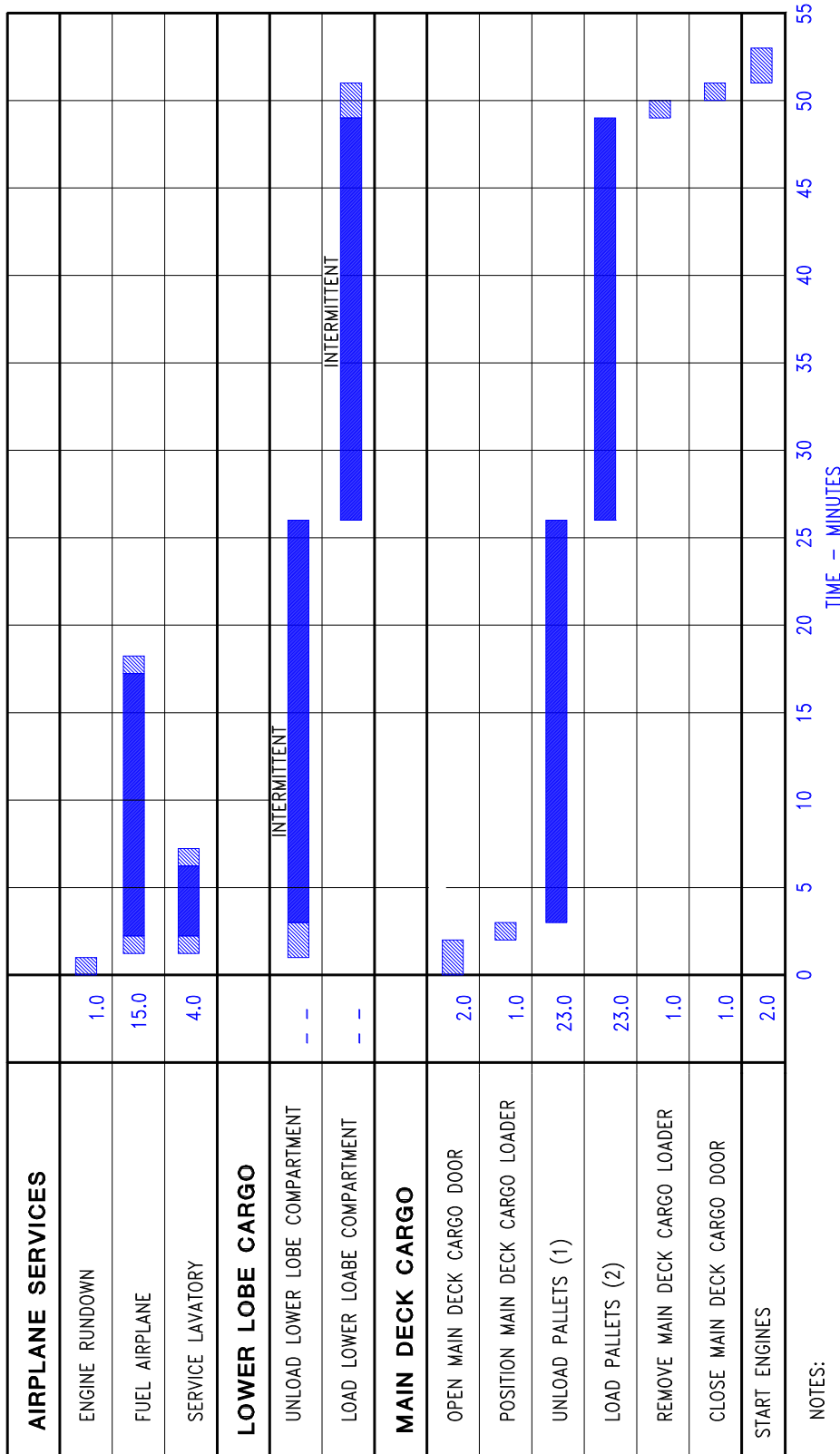


NOTES:

- MIXED CLASS 186 (16 FIRST CLASS, 170 ECONOMY CLASS) PASSENGERS
- 100% LOAD FACTOR
- DEPLANE RATE: 18 PASSENGERS PER MINUTE
- ENPLANE RATE: 9 PASSENGERS PER MINUTE
- 100% PASSENGER, BAGGAGE, AND CARGO EXCHANGE
- FUEL: 8,175 USG (30,946 LITERS) AT 545 GAL/MIN. (2,063 LITERS/MIN)

- THIS DATA IS PROVIDED TO ILLUSTRATE THE GENERAL SCOPE AND TYPES OF TASKS INVOLVED IN TERMINAL OPERATIONS. VARYING AIRLINE PRACTICES AND OPERATING CIRCUMSTANCES WILL RESULT IN DIFFERENT SEQUENCE AND TIME INTERVALS TO ACCOMPLISH THE TASKS SHOWN. CONSULT USING AIRLINE PRIOR TO RAMP PLANNING.

5.2.1 TERMINAL OPERATIONS - TURNAROUND STATION
MODEL 757-200



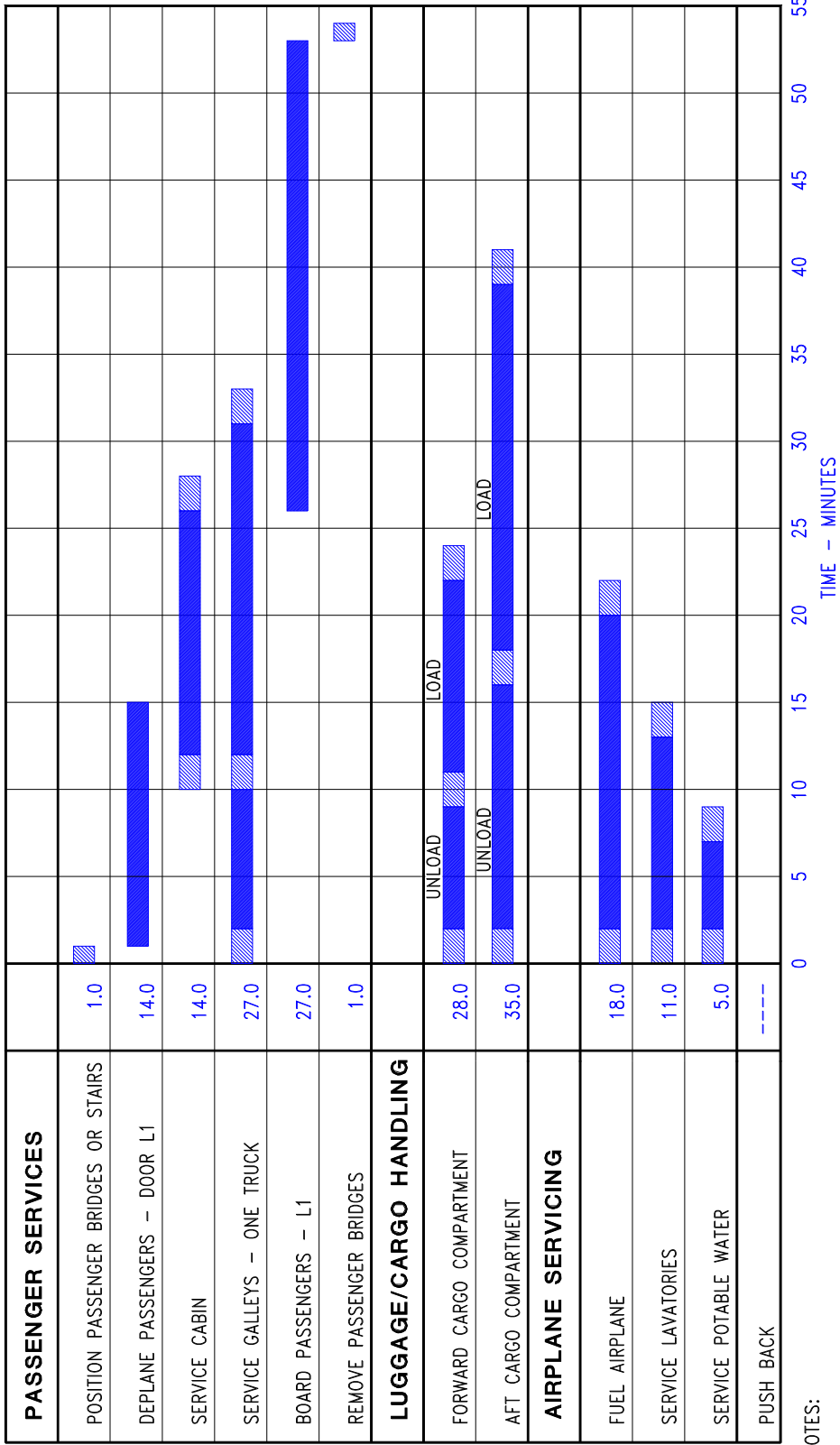
● FUEL: 8,175 U.S.GAL (30,946 LITERS) AT 545 GAL/MIN (2,063 LITERS/MIN)
 (1) 1.5 MINUTES EACH – SEQUENCE: 2 THRU 15, 1
 (2) 1.5 MINUTES EACH – SEQUENCE: 1, 15 THRU 2

● POSITION/REMOVE EQUIPMENT
 ● 15 MAIN DECK PALLETS
 ● 100% LOAD FACTOR AND CARGO EXCHANGE

● THIS DATA IS PROVIDED TO ILLUSTRATE THE GENERAL SCOPE AND TASKS INVOLVED IN TERMINAL OPERATIONS. VARYING AIRLINE PRACTICES AND OPERATING CIRCUMSTANCES THROUGHOUT THE WORLD WILL RESULT IN VARYING SEQUENCES AND TIME INTERVALS TO ACCOMPLISH THE TASKS SHOWN. CONSULT USING AIRLINE PRIOR TO RAMP PLANNING

5.2.2 TERMINAL OPERATIONS - TURNAROUND STATION
 MODEL 757-200PF

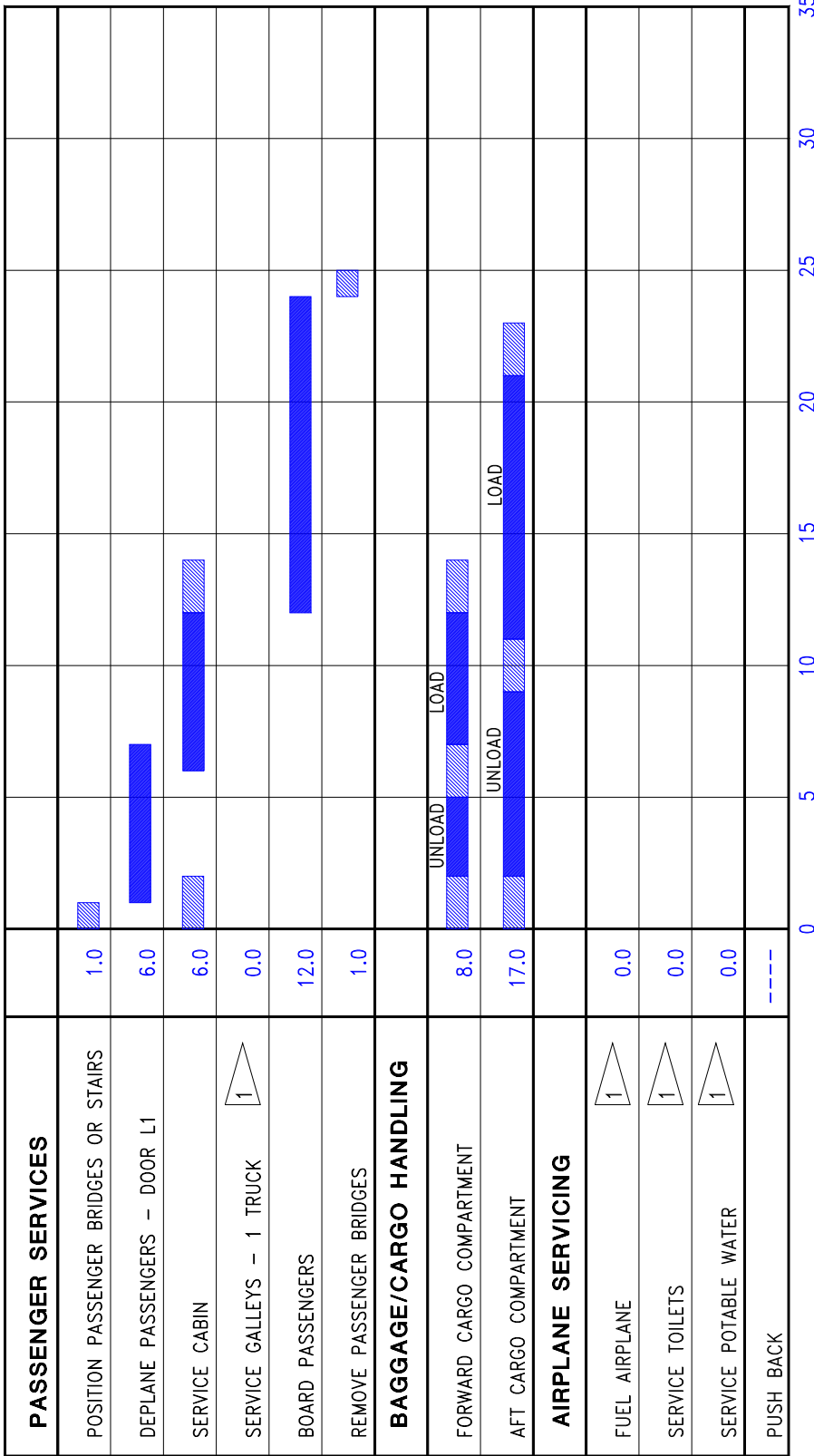
D6-58327



- NOTES:
- ▨ POSITION/REMOVE EQUIPMENT
 - 243 PASSENGERS BOARD AND DEPLANE VIA FWD LH ENTRY DOOR
 - PASSENGER LOADING RATES (ONE DOOR)
DEPLANE RATE: 18 PASSENGERS PER MINUTE
 - 100% LOAD FACTOR
 - ENPLANE RATE: 9 PASSENGERS PER MINUTE
 - 100% PASSENGER AND BAGGAGE EXCHANGE, NO CARGO EXCHANGE
 - BAGGAGE LOADING RATES
UNLOADING - 15 BAGS PER MINUTE
 - ASSUMES MECHANIZED CARGO HANDLING EQUIPMENT (FWD AND AFT)
 - LOADING - 10 BAGS PER MINUTE
 - FUEL: 9600 USG AT 545 GAL/MIN.
 - 1.3 BAGS PER PASSENGER (4.5 CU FT)
 - 83% STACKING EFFICIENCY
 - 67% BAGS AFT, 33% BAGS FWD
 - ONE GALLEY TRUCK USED

● THIS DATA IS PROVIDED TO ILLUSTRATE THE GENERAL SCOPE AND TASKS INVOLVED IN TERMINAL OPERATIONS. VARYING AIRLINE PRACTICES AND OPERATING CIRCUMSTANCES THROUGHOUT THE WORLD WILL RESULT IN VARYING SEQUENCES AND TIME INTERVALS TO ACCOMPLISH THE TASKS SHOWN. CONSULT USING AIRLINE PRIOR TO RAMP PLANNING

5.2.3. TERMINAL OPERATIONS - TURNAROUND STATION
MODEL 757-300

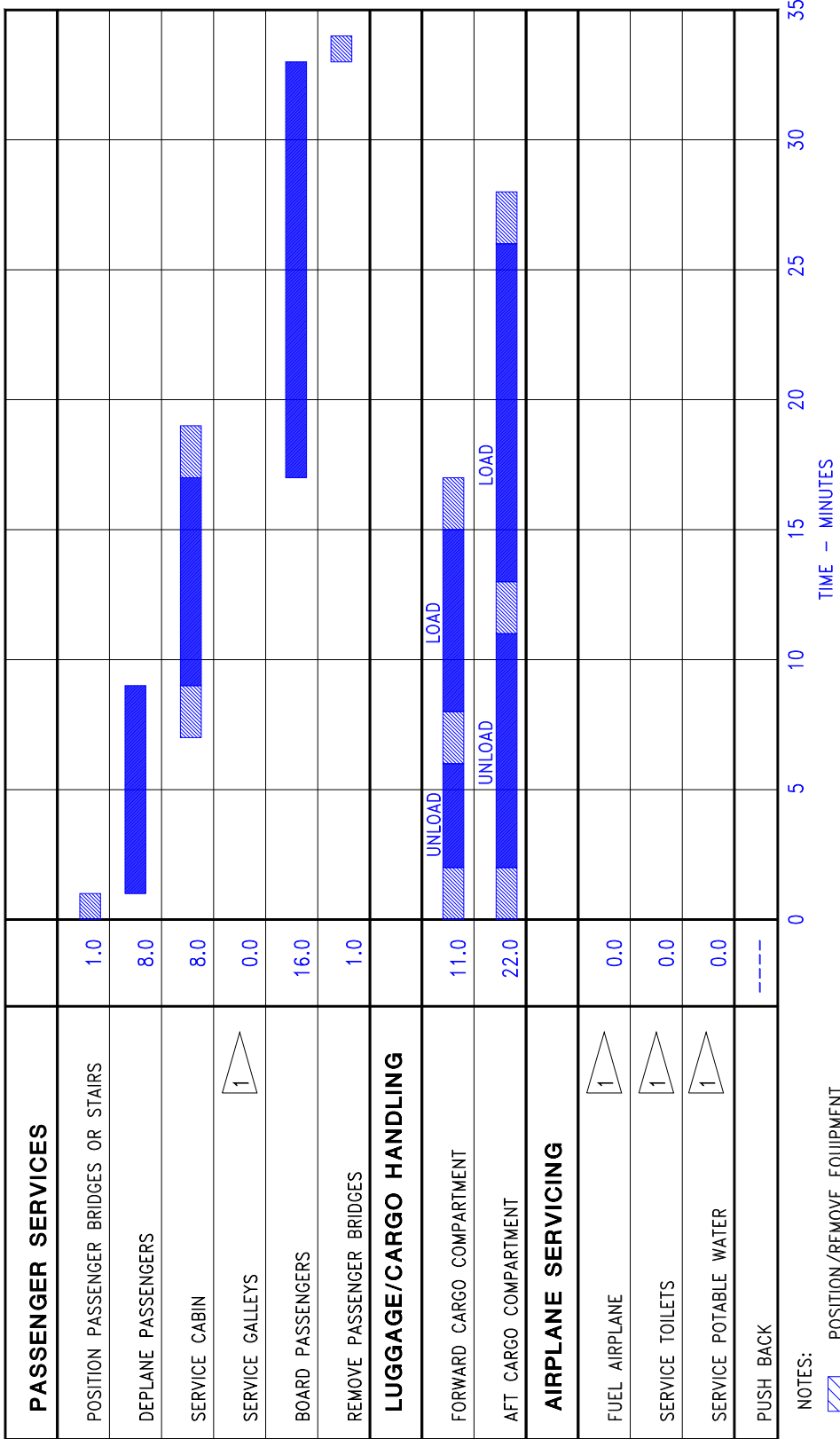


NOTES:

- POSITION/REMOVE EQUIPMENT
- NO GALLEY, FUEL, POTABLE WATER, OR LAVATORY SERVICE
- 60% PASSENGER BAGGAGE AND CARGO EXCHANGE
- 186 PASSENGERS (16 FIRST CLASS, 170 ECONOMY)
- 100% LOAD FACTOR
- 1.3 BAGS PER PASSENGER
- DEPLANE AND BOARDING TIMES BASED ON RATES OF 18 AND 9 PASSENGERS PER MINUTE RESPECTIVELY
- 67% BAGS AFT, 33% BAGS FWD
- THIS DATA IS PROVIDED TO ILLUSTRATE THE GENERAL SCOPE AND TYPES OF TASKS INVOLVED IN TERMINAL OPERATIONS. VARYING AIRLINE PRACTICES AND OPERATING CIRCUMSTANCES WILL RESULT IN DIFFERENT SEQUENCE AND TIME INTERVALS TO ACCOMPLISH THE TASKS SHOWN. GROUND OPERATION REQUIREMENTS SHOULD BE COORDINATED WITH USING AIRLINES PRIOR TO RAMP PLANNING.

5.3.1 TERMINAL OPERATIONS - EN ROUTE STATION
MODEL 757-200

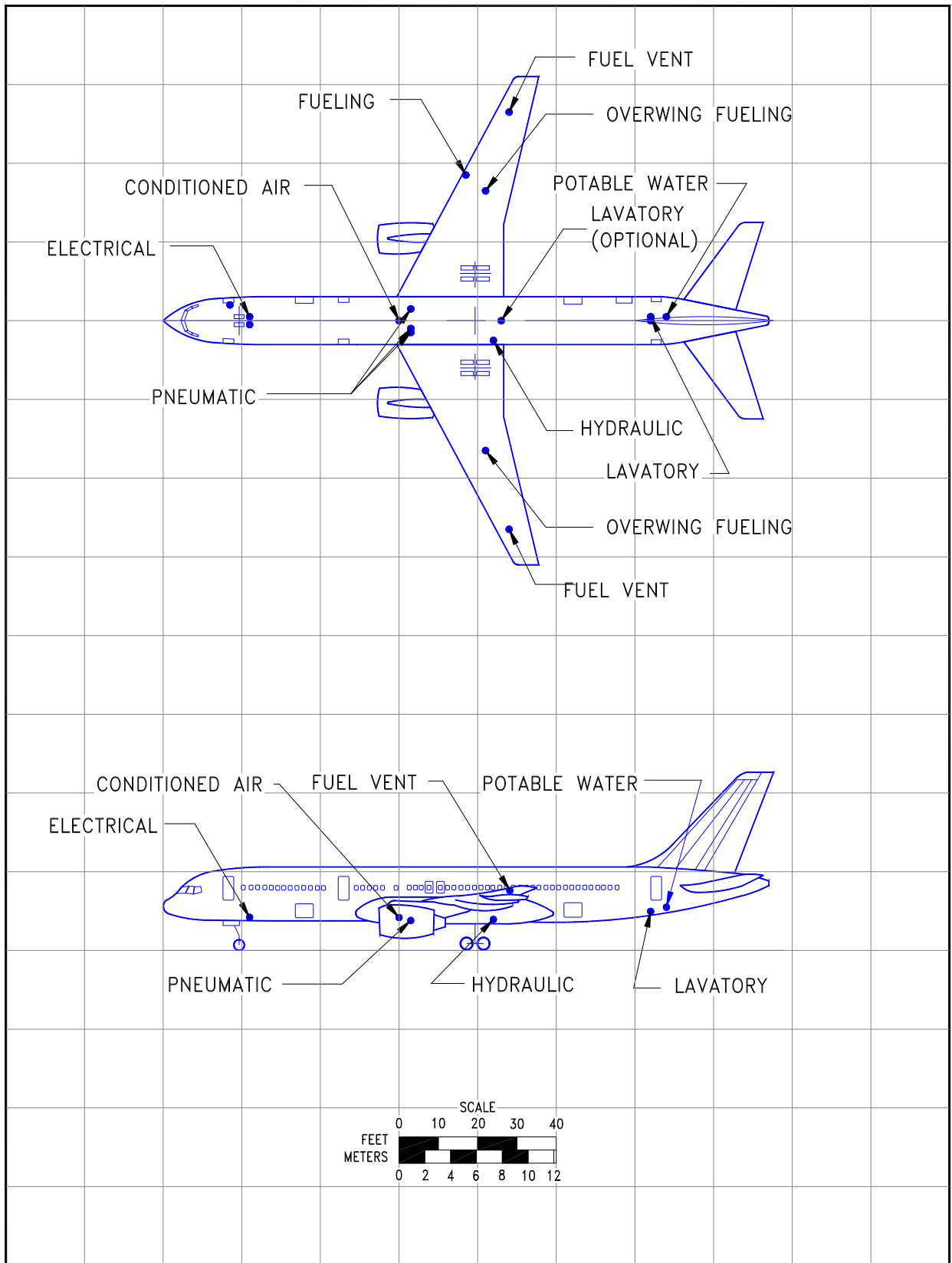
D6-58327



NOTES:

- POSITION/REMOVE EQUIPMENT
- NO GALLEY, FUEL, POTABLE WATER, OR LAVATORY SERVICE
- 60 % PASSENGERS AND CARGO EXCHANGE
- 146 PASSENGERS BOARD AND DEPLANE VIA FW LH ENTRY DOOR
- 100% LOAD FACTOR
- PASSENGER LOADING RATES (1 DOOR)
UNLOADING – 18 PASSENGERS PER MINUTE
LOADING – 9 PASSENGERS PER MINUTE
- BAGGAGE LOADING RATES
UNLOADING – 15 BAGS PER MINUTE
LOADING – 10 BAGS PER MINUTE
- 1.3 BAGS PER PASSENGER (4.5 CU FT)
- 83% STACKING EFFICIENCY
- THIS DATA IS PROVIDED TO ILLUSTRATE THE GENERAL SCOPE AND TASKS INVOLVED IN TERMINAL OPERATIONS. VARYING AIRLINE PRACTICES AND OPERATING CIRCUMSTANCES THROUGHOUT THE WORLD WILL RESULT IN DIFFERENT SEQUENCES AND TIME INTERVALS TO ACCOMPLISH THE TASKS SHOWN. CONSULT USING AIRLINE PRIOR TO RAMP PLANNING.

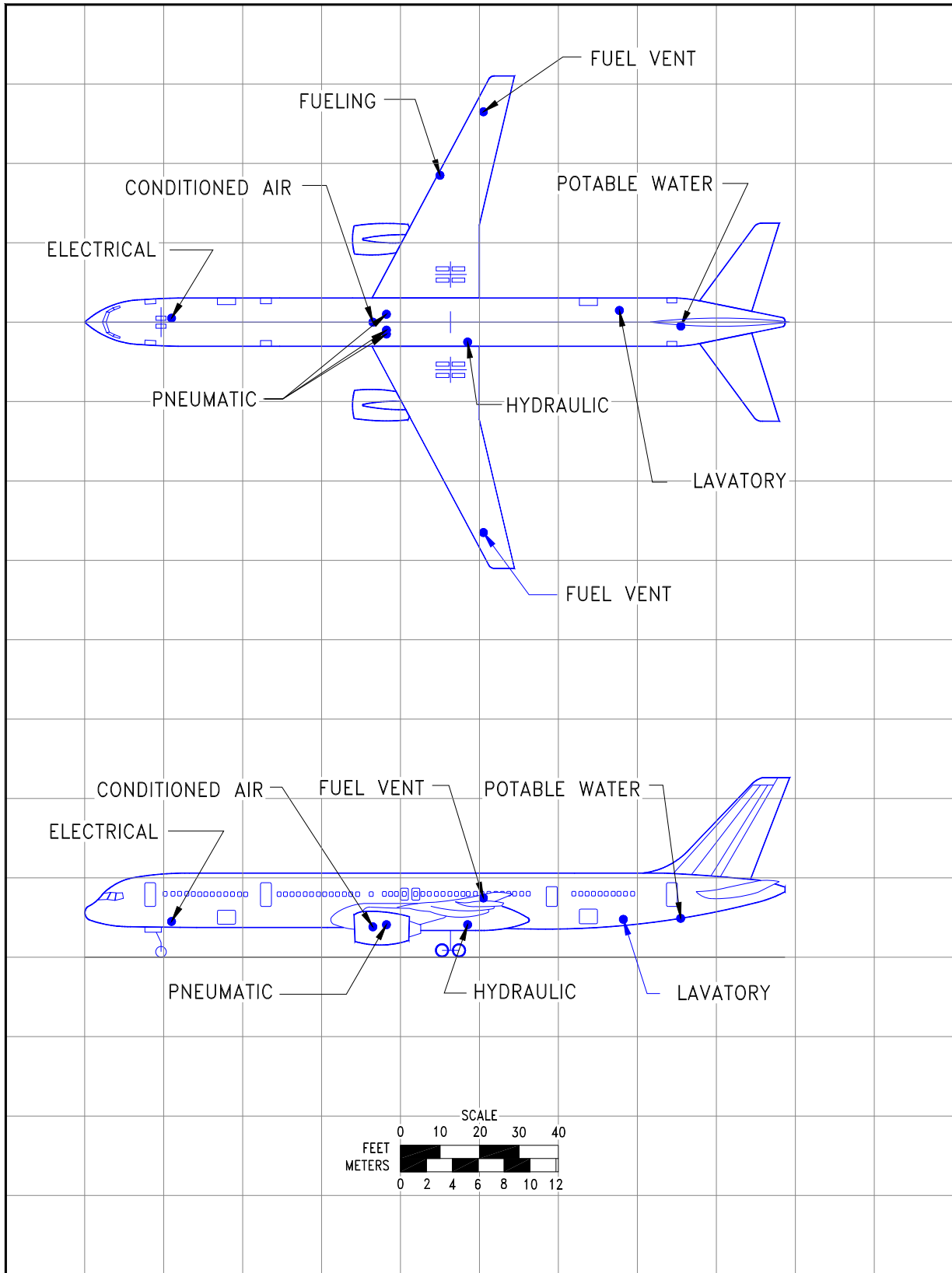
5.3.2 TERMINAL OPERATIONS - EN ROUTE STATION
MODEL 757-300



5.4.1 GROUND SERVICING CONNECTIONS
 MODEL 757-200

D6-58327

JUNE 1999 91



5.4.2 GROUND SERVICING CONNECTIONS
 MODEL 757-300

D6-58327

| SYSTEM | MODEL | DISTANCE AFT OF NOSE | | DISTANCE FROM AIRPLANE CENTERLINE | | | | MAX HT ABOVE GROUND | |
|--|-----------|----------------------|------|-----------------------------------|------|---------|------|---------------------|-----|
| | | | | LH SIDE | | RH SIDE | | | |
| | | FT | M | FT | M | FT | M | FT | M |
| CONDITIONED AIR ONE 8-IN (20.3 CM) PORT | 757-200 | 60 | 18.3 | 0 | 0 | 0 | 0 | 7 | 2.1 |
| | 757-300 | 73 | 22.4 | 0 | 0 | 0 | 0 | 7 | 2.1 |
| ELECTRICAL ONE CONNECTION 90 KVA , 200/115 V AC 400 HZ, 3-PHASE EACH | 757-200 | 22 | 6.6 | - | - | 1 | 0.3 | 8 | 2.4 |
| | 757-300 | 22 | 6.6 | - | - | 1 | 0.3 | 8 | 2.4 |
| FUEL TWO UNDERWING PRESSURE CONNECTORS ON RIGHT WING (SEE SEC 2.2 FOR CAPACITIES) TWO OVERWING GRAVITY PORTS * TOP OF THE WING FUEL VENTS | 757-200 | 77 | 23.5 | - | - | 37 | 11.3 | 14 | 4.3 |
| | 757-300 | 90 | 27.5 | - | - | 37 | 11.3 | 14 | 4.3 |
| | 757-200 | 82 | 24.9 | 33 | 10.1 | 33 | 10.1 | * | * |
| | 757-300 | 95 | 29.1 | 33 | 10.1 | 33 | 10.1 | * | * |
| | 757-200 | 88 | 26.9 | 53 | 16.3 | 53 | 16.3 | 15 | 4.6 |
| | 757-300 | 101 | 30.1 | 53 | 16.3 | 53 | 16.3 | 15 | 4.6 |
| HYDRAULIC TOTAL SYSTEM CAPACITY = 72 GAL (273 L) FILL PRESSURE = 150 PSIG (10.55 KG/CM ²) | 757-200 | 84 | 25.6 | 5 | 1.5 | - | - | 12 | 3.7 |
| | 757-300 | 97 | 29.6 | 5 | 1.5 | - | - | 12 | 3.7 |
| LAVATORY TWO CONNECTIONS - 757-200 * OVERWING EXIT AIRPLANE ** FOUR-DOOR AIRPLANE ONE SERVICE CONNECTION - 757-200PF ONE SERVICE CONNECTION - 757-300 | 757-200 | 22 | 6.7 | 1 | 0.3 | - | - | 8 | 2.4 |
| | | * 128 | 39.0 | - | - | - | - | 10 | 3.1 |
| | | ** 86 | 26.2 | 0 | 0 | 0 | 0 | 7 | 2.1 |
| | 757-200PF | 17 | 5.0 | 0 | 0 | 0 | 0 | 9 | 2.9 |
| | 757-300 | 135 | 41.2 | 1 | 0.3 | - | - | 12 | 3.7 |
| PNEUMATIC THREE 3-IN(7.6-CM) PORTS (RB211) TWO 3-IN (7.6-CM) PORTS (PW) ** RB211 ENGINES ONLY | 757-200 | **63 | 19.2 | 2 | 0.6 | - | - | 7 | 2.1 |
| | | 63 | 19.2 | - | - | 3 | 0.9 | 7 | 2.1 |
| | | 63 | 19.2 | 3 | 0.9 | - | - | 7 | 2.1 |
| | 757-300 | **76 | 23.3 | 2 | 0.6 | - | - | 7 | 2.1 |
| | | 76 | 23.3 | - | - | 2 | 0.6 | 7 | 2.1 |
| | 76 | 23.3 | 3 | 0.9 | - | - | 7 | 2.1 | |
| POTABLE WATER ONE SERVICE CONNECTION * OVERWING-EXIT AIRPLANE ** FOUR-DOOR AIRPLANE | 757-200 | * 124 | 37.8 | 1 | 0.3 | - | - | 10 | 3.1 |
| | | **124 | 37.8 | 0 | 0 | 0 | 0 | 10 | 3.1 |
| | 757-300 | 147 | 44.8 | 1 | 0.3 | - | - | 13 | 4.0 |

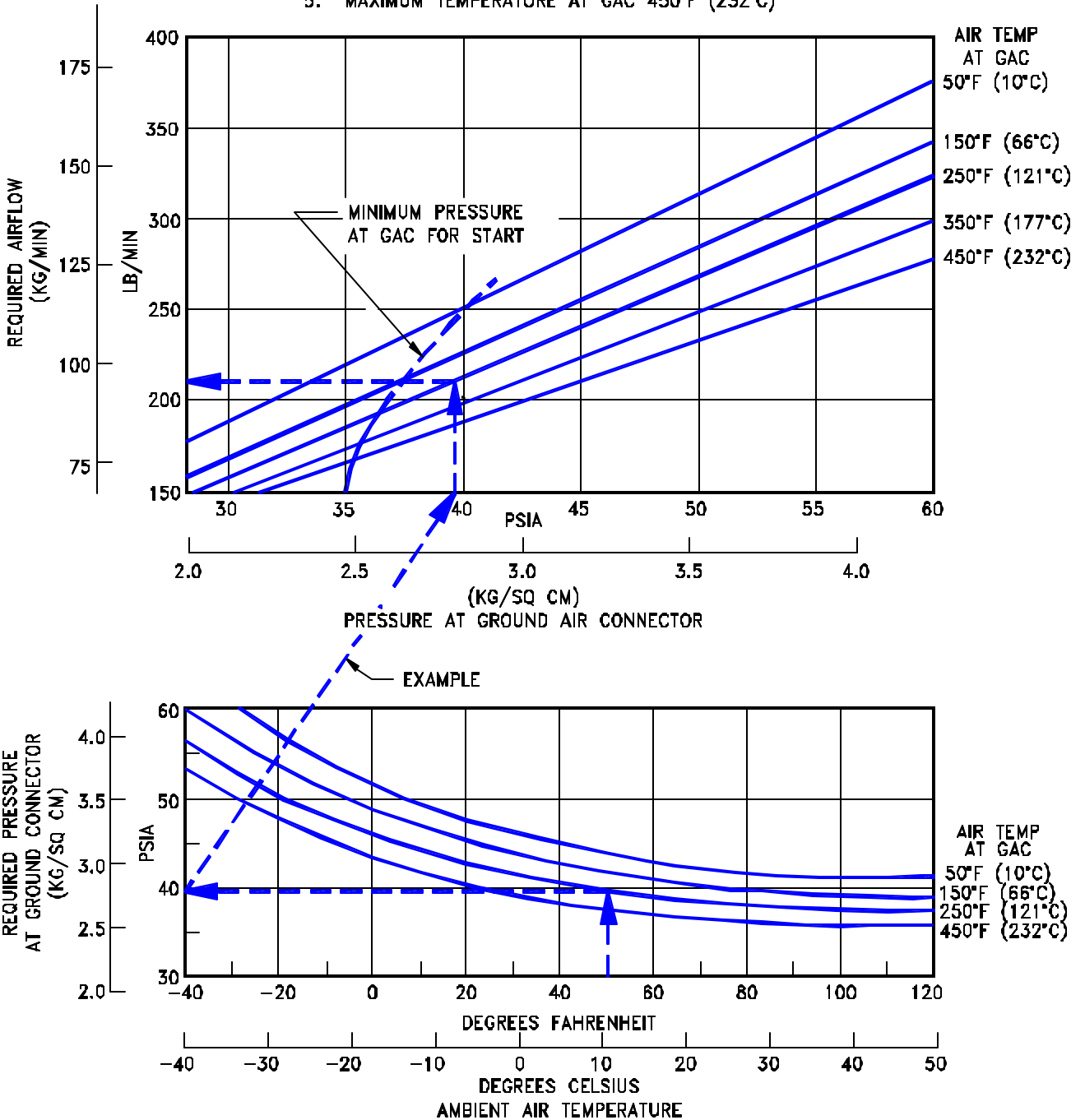
NOTE: DISTANCES ROUNDED TO THE NEAREST FOOT AND 0.1 METER.

5.4.3 GROUND SERVICING CONNECTIONS MODEL 757-200, -300

D6-58327

JUNE 1999 93

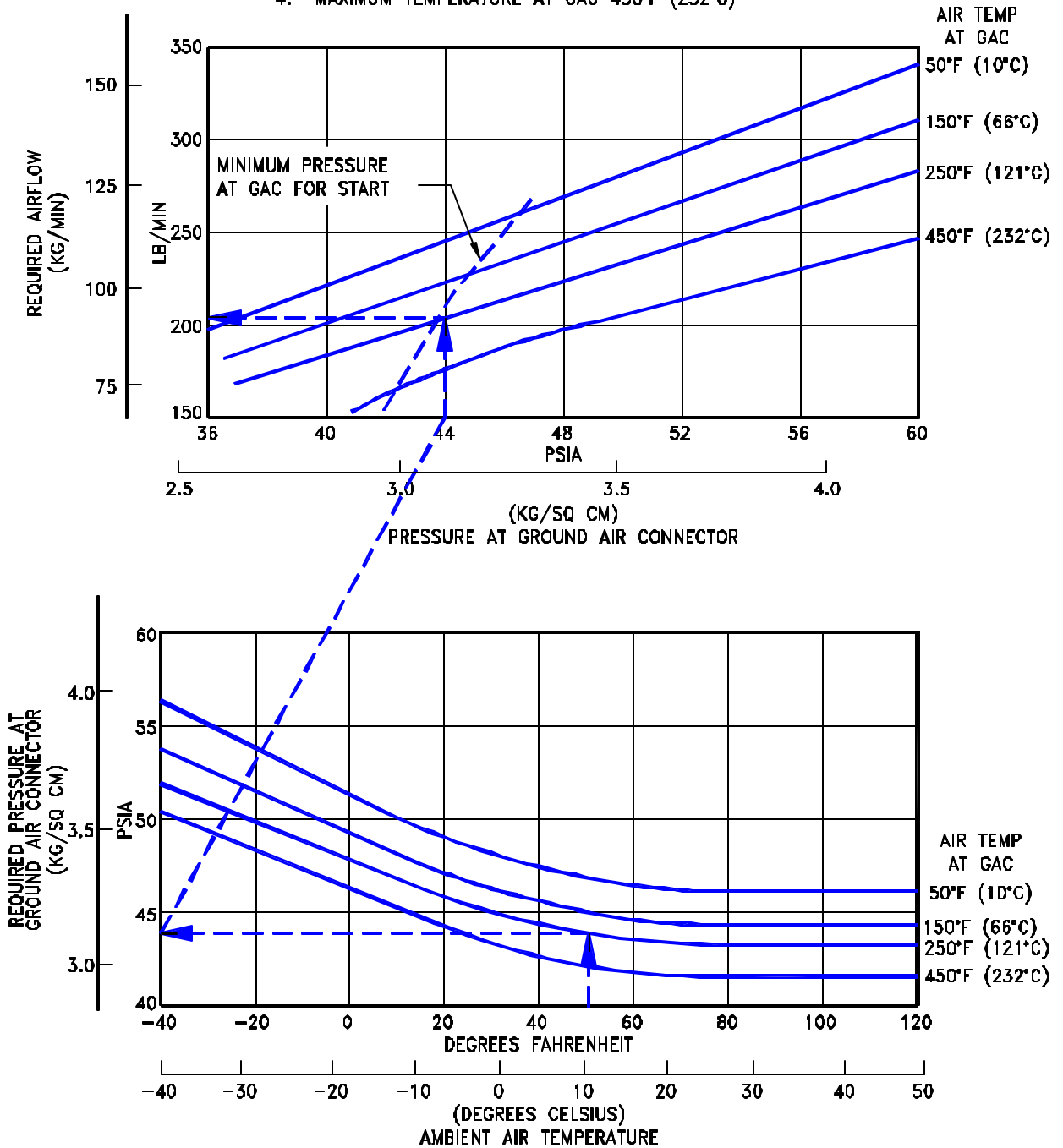
- NOTES: 1. SEA LEVEL CONDITIONS
 2. TWO GROUND CONNECTIONS (GAC) ABOVE -15°F (-26°C)
 3. THREE GAC BELOW -15°F (-26°C)
 4. MAXIMUM PRESSURE AT GAC 60 PSIA (4.2 KG/SQ CM A)
 5. MAXIMUM TEMPERATURE AT GAC 450°F (232°C)



5.5.1 ENGINE START PNEUMATIC REQUIREMENTS - SEA LEVEL
 MODEL 757-200, 300 (ROLLS ROYCE ENGINES)

D6-58327

- NOTES: 1. SEA LEVEL CONDITIONS
 2. TWO GROUND AIR CONNECTIONS
 3. MAXIMUM PRESSURE AT GAC 60 PSIA (4.2 KG/SQ CM)
 4. MAXIMUM TEMPERATURE AT GAC 450°F (232°C)



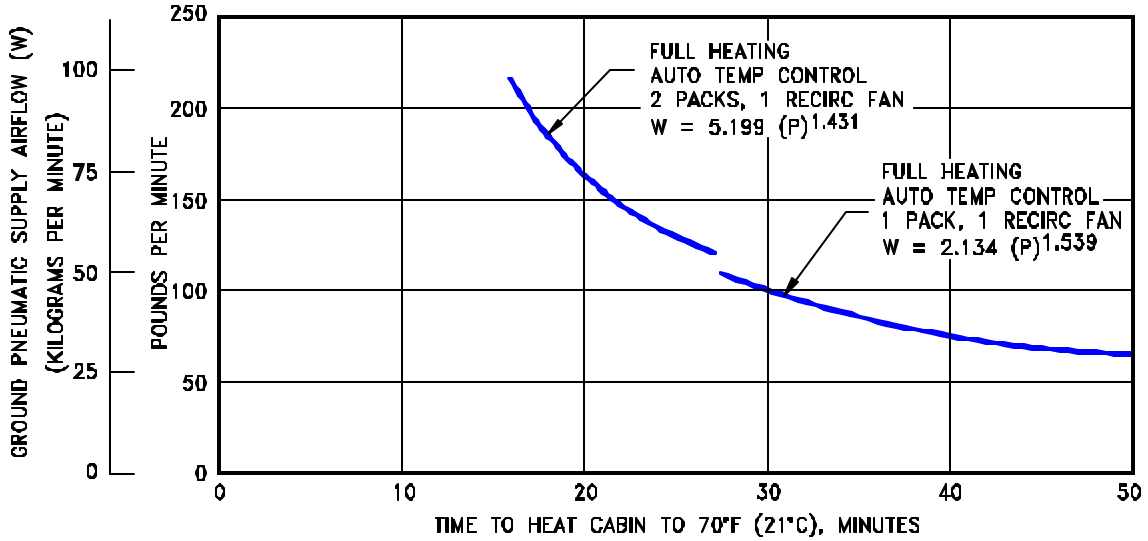
5.5.2 ENGINE START PNEUMATIC REQUIREMENTS - SEA LEVEL
 MODEL 757-200, -300 (PRATT & WHITNEY ENGINES)

D6-58327

SEPTEMBER 2005 95

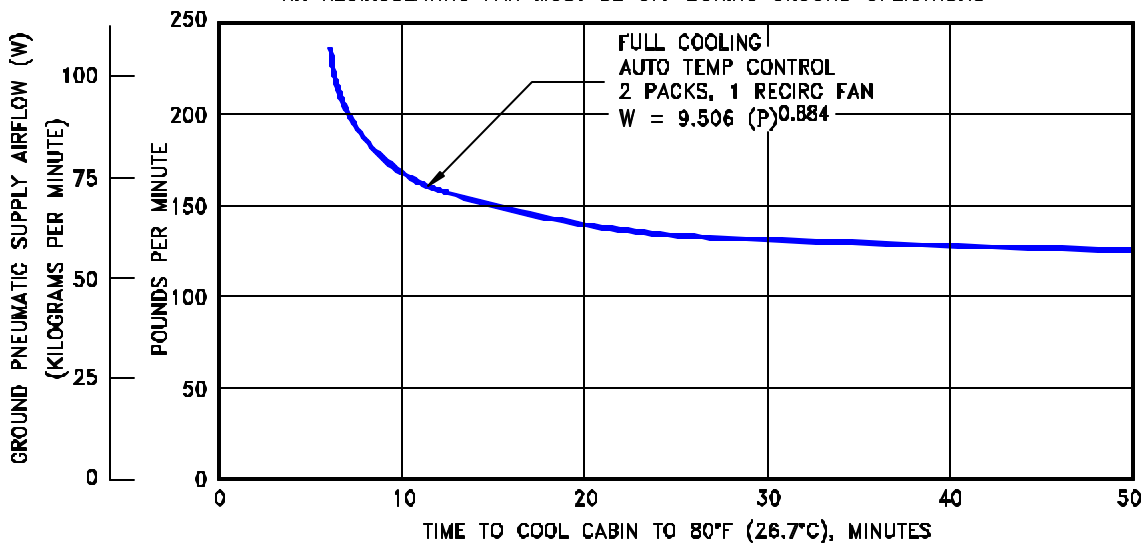
HEATING (PULL-UP)

- INITIAL CABIN TEMPERATURE: 0°F (-17.8°C)
- OUTSIDE AIR TEMPERATURE: 0°F (-17.8°C)
- NO GALLEY LOAD, ELECTRICAL LOAD, OR SOLAR LOAD
- TEMPERATURE AT GROUND AIR CONNECTION: 300°F (149°C)
- P = PRESSURE AT GROUND AIR CONNECTION, PSIG
- NO OCCUPANTS
- RH RECIRCULATING FAN MUST BE OFF DURING GROUND OPERATIONS

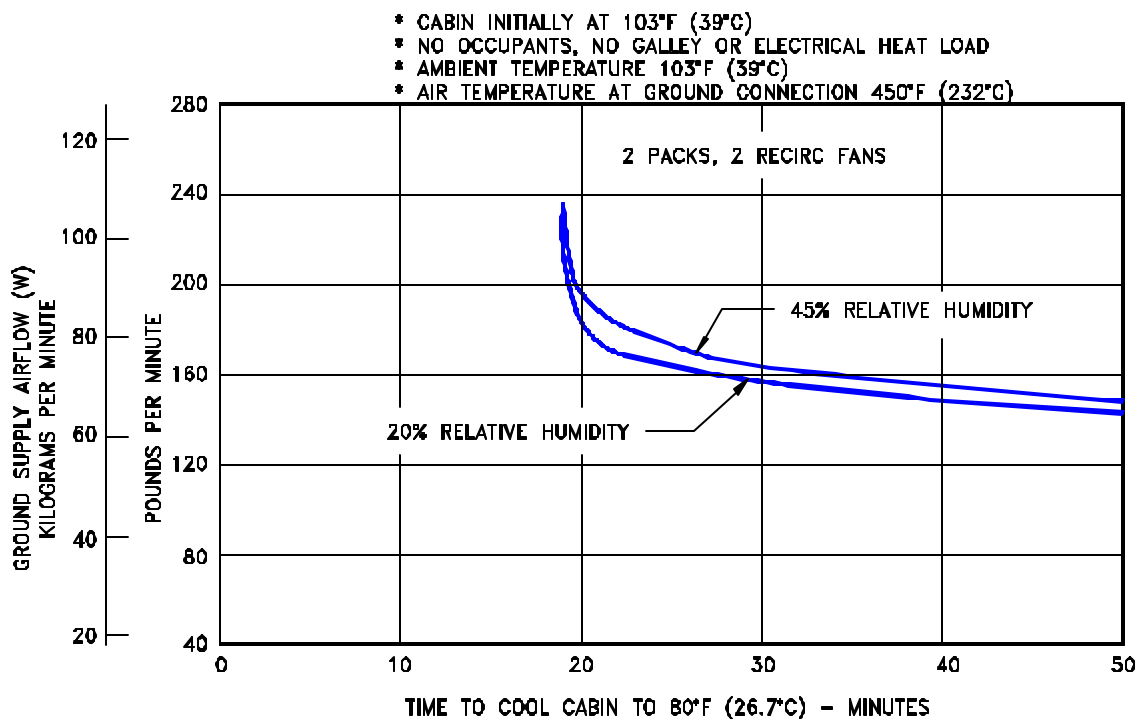
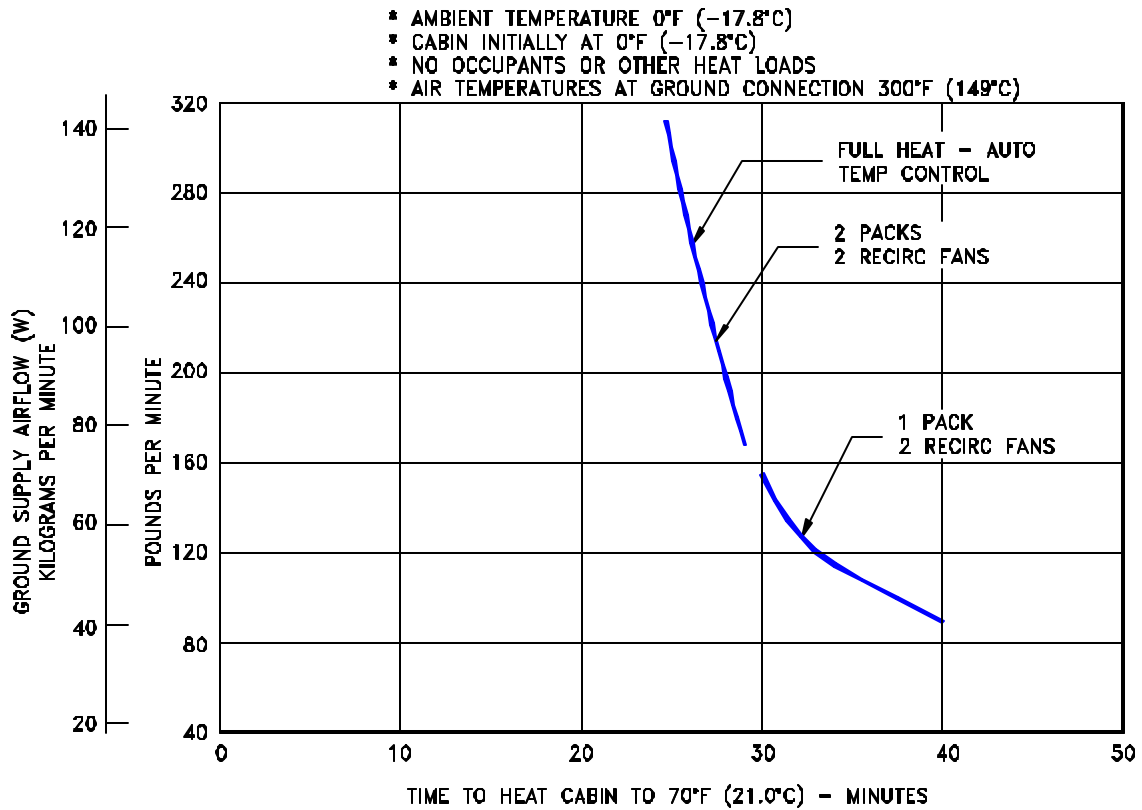


COOLING (PULL-DOWN)

- INITIAL CABIN TEMPERATURE: 103°F (39.5°C)
- OUTSIDE AIR TEMPERATURE: 103°F (39.5°C)
- SOLAR LOAD: 8520 BTU/HR (2145 KCAL/HR)
- NO GALLEY LOAD OR ELECTRICAL LOAD
- TEMPERATURE AT GROUND AIR CONNECTION: 450°F (232°C)
- P = PRESSURE AT GROUND AIR CONNECTION, PSIG
- NO OCCUPANTS
- RH RECIRCULATING FAN MUST BE OFF DURING GROUND OPERATIONS



5.6.1 GROUND PNEUMATIC POWER REQUIREMENTS - HEATING & COOLING
MODEL 757-200



5.6.2 GROUND PNEUMATIC POWER REQUIREMENTS - HEATING & COOLING
 MODEL 757-300

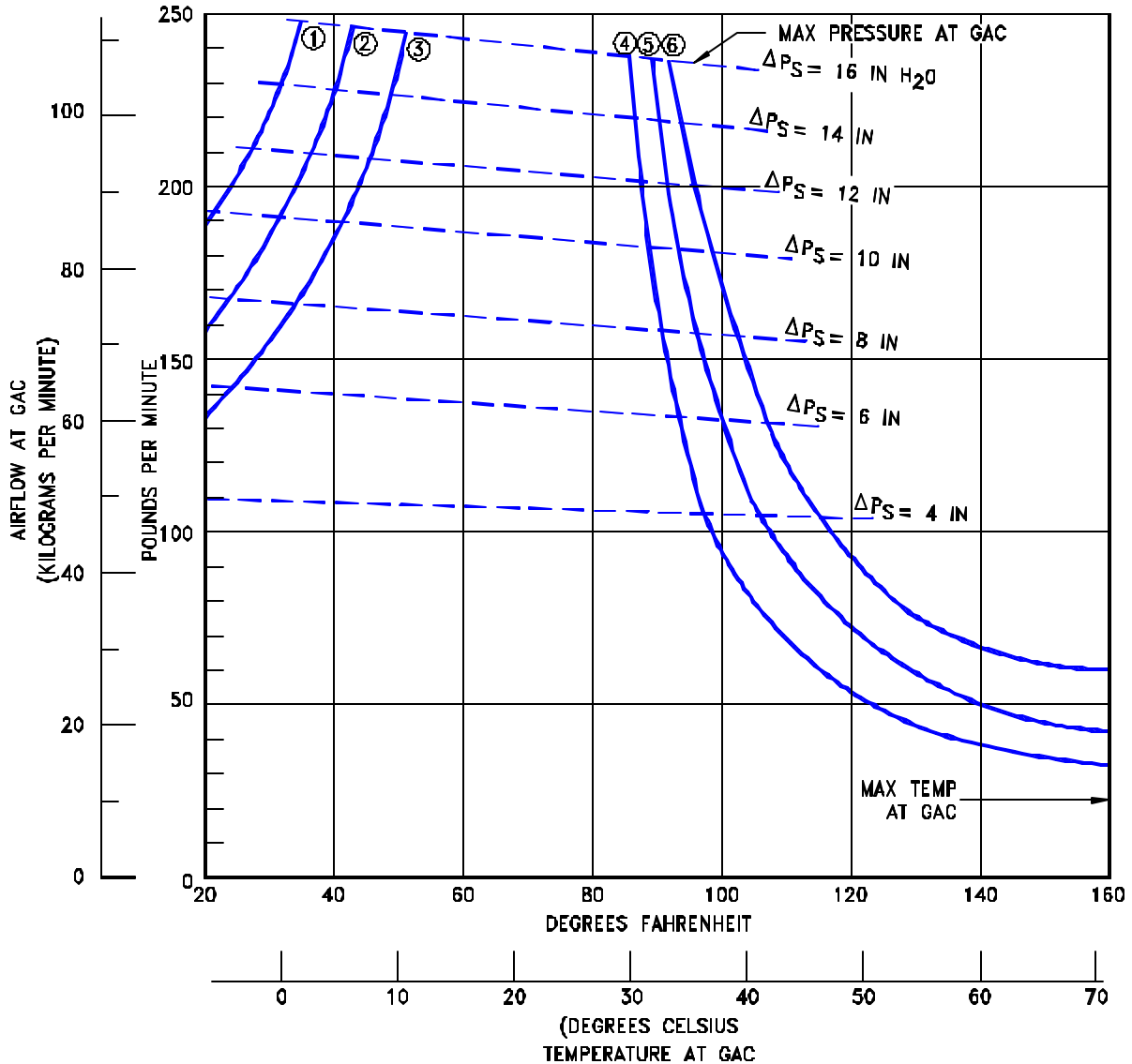
D6-58327

JUNE 1999 97

NOTES:

1. ALL DATA WITH LH RECIRCULATING FAN ON FOR ELECTRONIC COOLING AIRFLOW
2. GROUND OPERATION IS LIMITED TO ONE RECIRCULATING FAN OPERATION
3. MAXIMUM STATIC PRESSURE ΔP_S AT 8-IN SUPPLY DUCT AT GROUND AIR CONNECTION (GAC) TO MIX MANIFOLD LIMITED TO 16 INCHES OF WATER.
4. MAXIMUM TEMPERATURE OF GAC SUPPLY FLOW TO MIX MANIFOLD IS 160°F

| CONDITIONS | TAMB | SOLAR LOAD | ELECTRICAL LOAD | PASS | CABIN TEMPERATURE |
|------------|--------------|---------------|-----------------|------|-------------------|
| ① | 103°F(39°C) | 142 BTU/MIN | 160 BTU/MIN | 186 | 70°F(21°C) |
| ② | 103°F(39°C) | 39 KG CAL/MIN | 40 KG CAL/MIN | 186 | 75°F(24°C) |
| ③ | 103°F(39°C) | 39 KG CAL/MIN | 40 KG CAL/MIN | 186 | 80°F(27°C) |
| ④ | 0°F(-18°C) | 0 | 0 | 0 | 75°F(24°C) |
| ⑤ | -20°F(-29°C) | 0 | 0 | 0 | 75°F(24°C) |
| ⑥ | -40°F(-40°C) | 0 | 0 | 0 | 75°F(24°C) |



5.7.1 CONDITIONED AIR FLOW REQUIREMENTS - STEADY STATE AIRFLOW
MODEL 757-200

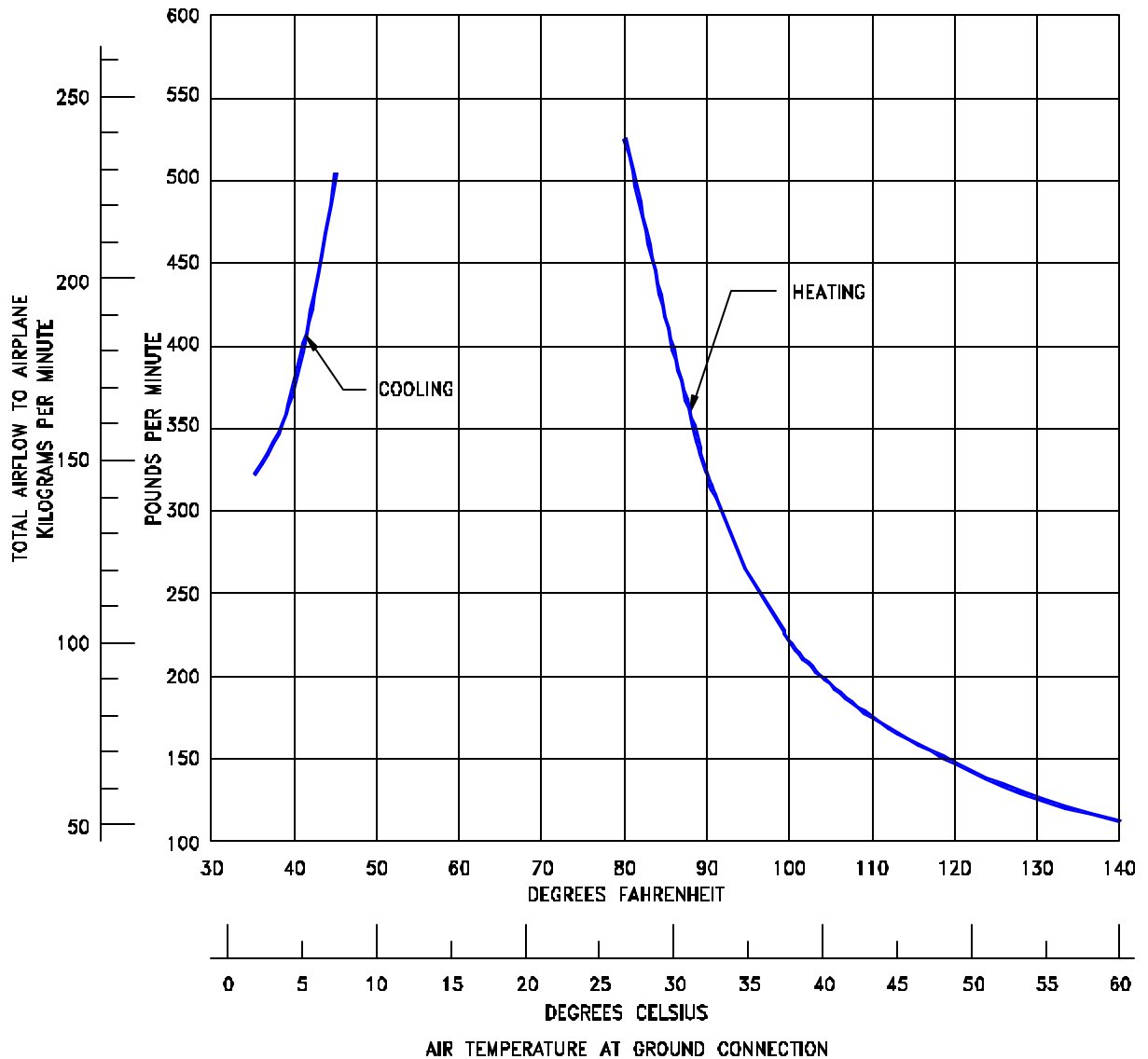
D6-58327

COOLING

- * ALL EXTERIOR DOORS AND WINDOWS CLOSED
- * OUTSIDE AIR TEMPERATURE 103°F (39°C)
- * FULL SOLAR LOAD AND ELECTRICAL HEAT LOADS
- * RECIRCULATION FANS OFF
- * CHILLERS ON
- * 286 OCCUPANTS
- * CABIN TEMPERATURE MAINTAINED AT 75°F (24°C)

HEATING

- * ALL EXTERIOR DOORS AND WINDOWS CLOSED
- * OUTSIDE TEMPERATURE -40°F (-40°C)
- * NO SOLAR OR ELECTRICAL HEAT LOADS
- * RECIRCULATION FANS OFF
- * CHILLERS OFF
- * NO OCCUPANTS
- * CABIN TEMPERATURE MAINTAINED AT 75°F (24°C)



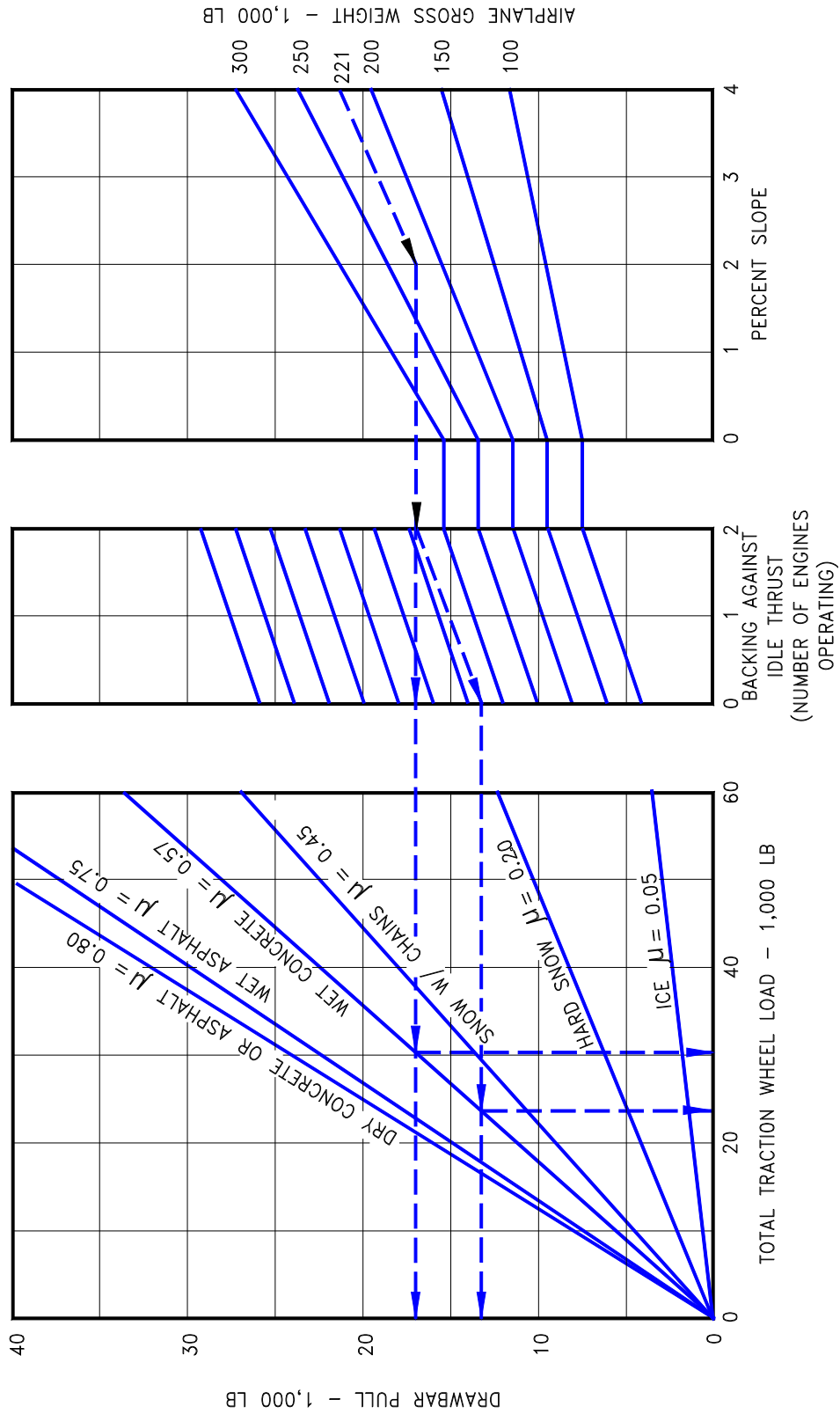
5.7.2 CONDITIONED AIR FLOW REQUIREMENTS - STEADY STATE AIRFLOW
MODEL 757-300

D6-58327

JUNE 1999 99

NOTES:

1. STRAIGHT-LINE TOW
2. UNUSUAL BREAKAWAY CONDITIONS NOT SHOWN
3. COEFFICIENTS OF FRICTION (μ) ARE ESTIMATED FOR RUBBER-TIRED TOW VEHICLES



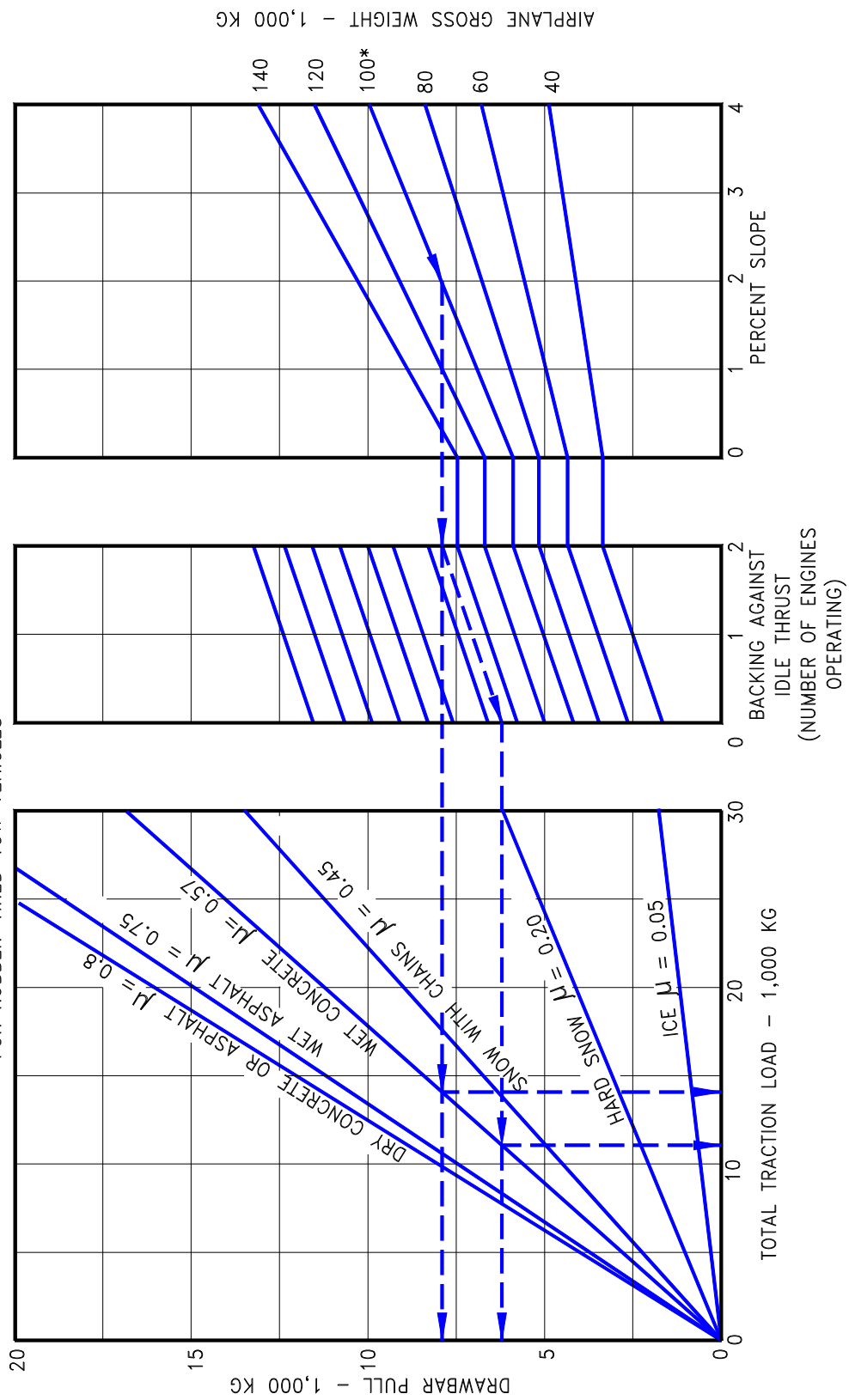
5.8.1 GROUND TOWING REQUIREMENTS - ENGLISH UNITS
 MODEL 757-200, -300

D6-58327

100 JUNE 1999

NOTES:

STRAIGHT-LINE TOW
UNUSUAL BREAKAWAY CONDITIONS NOT SHOWN
COEFFICIENTS OF FRICTION (μ) ARE ESTIMATED
FOR RUBBER-TIRED TOW VEHICLES



5.8.2 GROUND TOWING REQUIREMENTS - METRIC UNITS
MODEL 757-200, -300

D6-58327

JUNE 1999 101

THIS PAGE INTENTIONALLY LEFT BLANK

6.0 JET ENGINE WAKE AND NOISE DATA

6.1 Jet Engine Exhaust Velocities and Temperatures

6.2 Airport and Community Noise

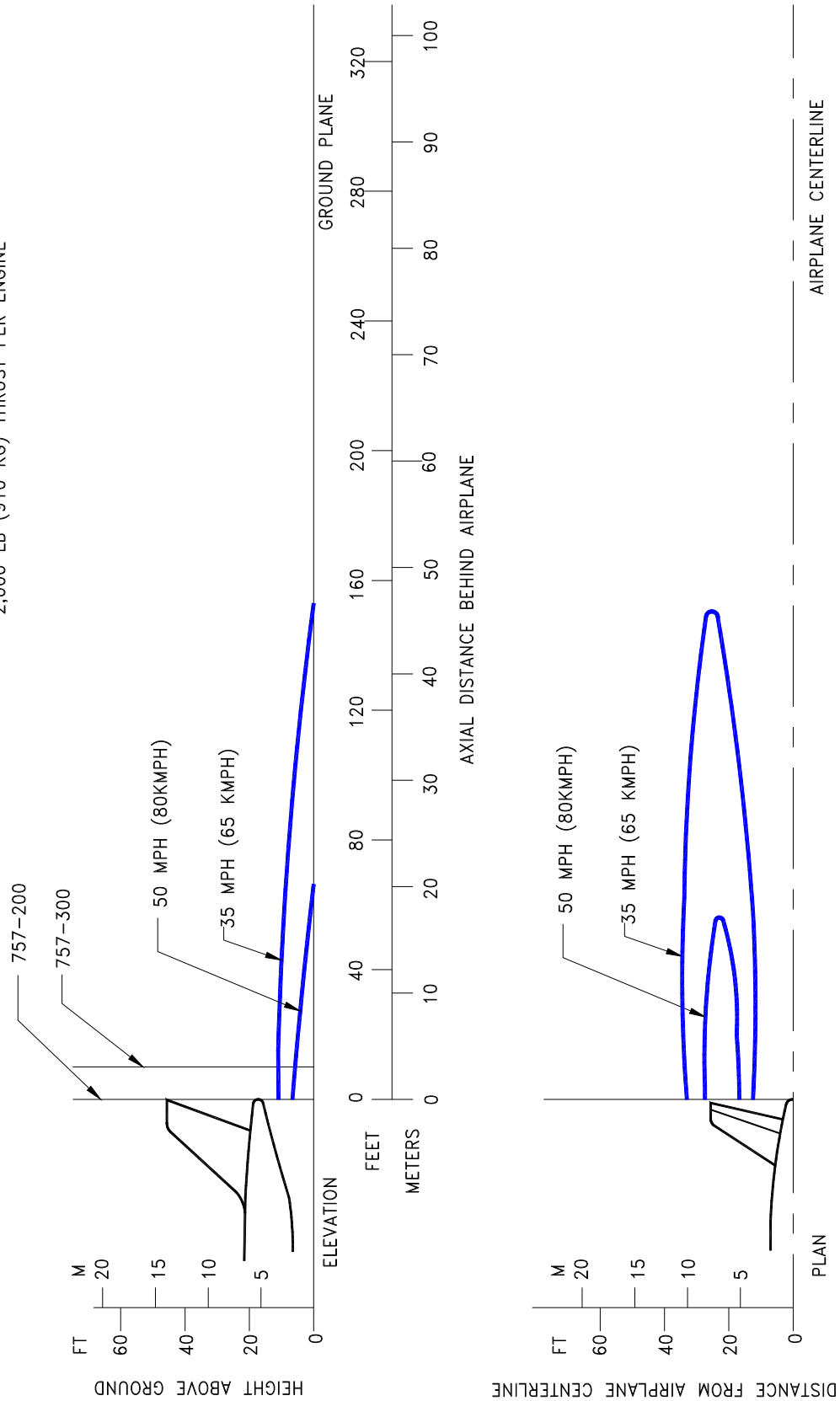
6.0 JET ENGINE WAKE AND NOISE DATA

6.1 Jet Engine Exhaust Velocities and Temperatures

This section shows exhaust velocity and temperature contours aft of the 757 airplane. The contours were calculated from a standard computer analysis using three-dimensional viscous flow equations with mixing of primary, fan, and free-stream flow. The presence of the ground plane is included in the calculations as well as engine tilt and toe-in. Mixing of flows from the engines is also calculated. The analysis does not include thermal buoyancy effects which tend to elevate the jet wake above the ground plane. The buoyancy effects are considered to be small relative to the longitudinal velocity and therefore are not included.

The graphs show jet wake velocity and temperature contours for a representative engine. The results are valid for sea level, static, standard day conditions. The effect of wind on jet wakes was not included. There is evidence to show that a downwind or an upwind component does not simply add or subtract from the jet wake velocity, but rather carries the whole envelope in the direction of the wind. Crosswinds may carry the jet wake contour far to the side at large distances behind the airplane.

- NOTES:
- * SEA LEVEL
 - * STANDARD DAY
 - * ZERO WIND
 - * STATIC AIRPLANE
 - * TWO ENGINES OPERATING
 - * 2,000 LB (910 KG) THRUST PER ENGINE

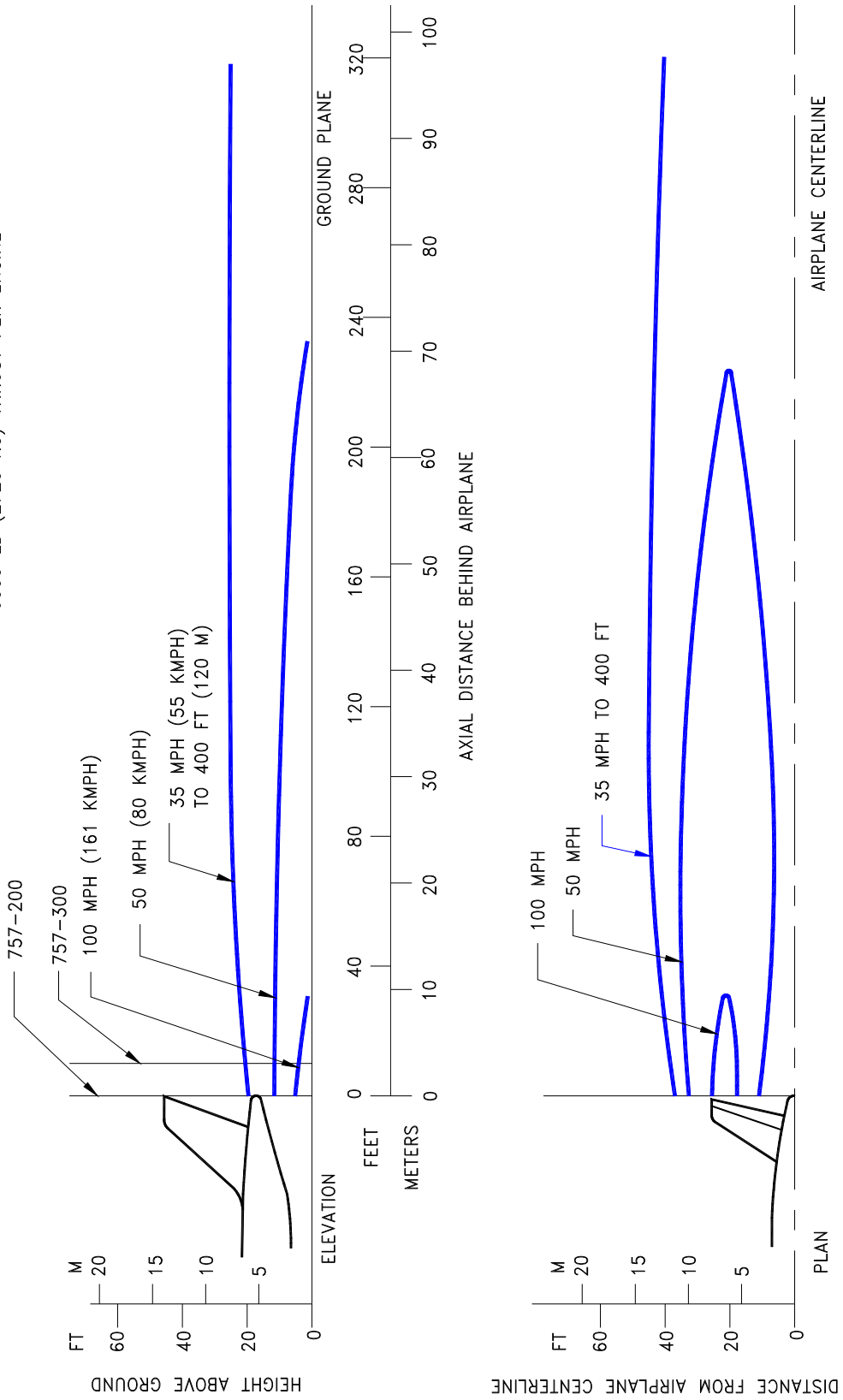


6.1.1 PREDICTED JET ENGINE EXHAUST VELOCITY CONTOURS - IDLE THRUST
 MODEL 757-200, -300

D6-58327

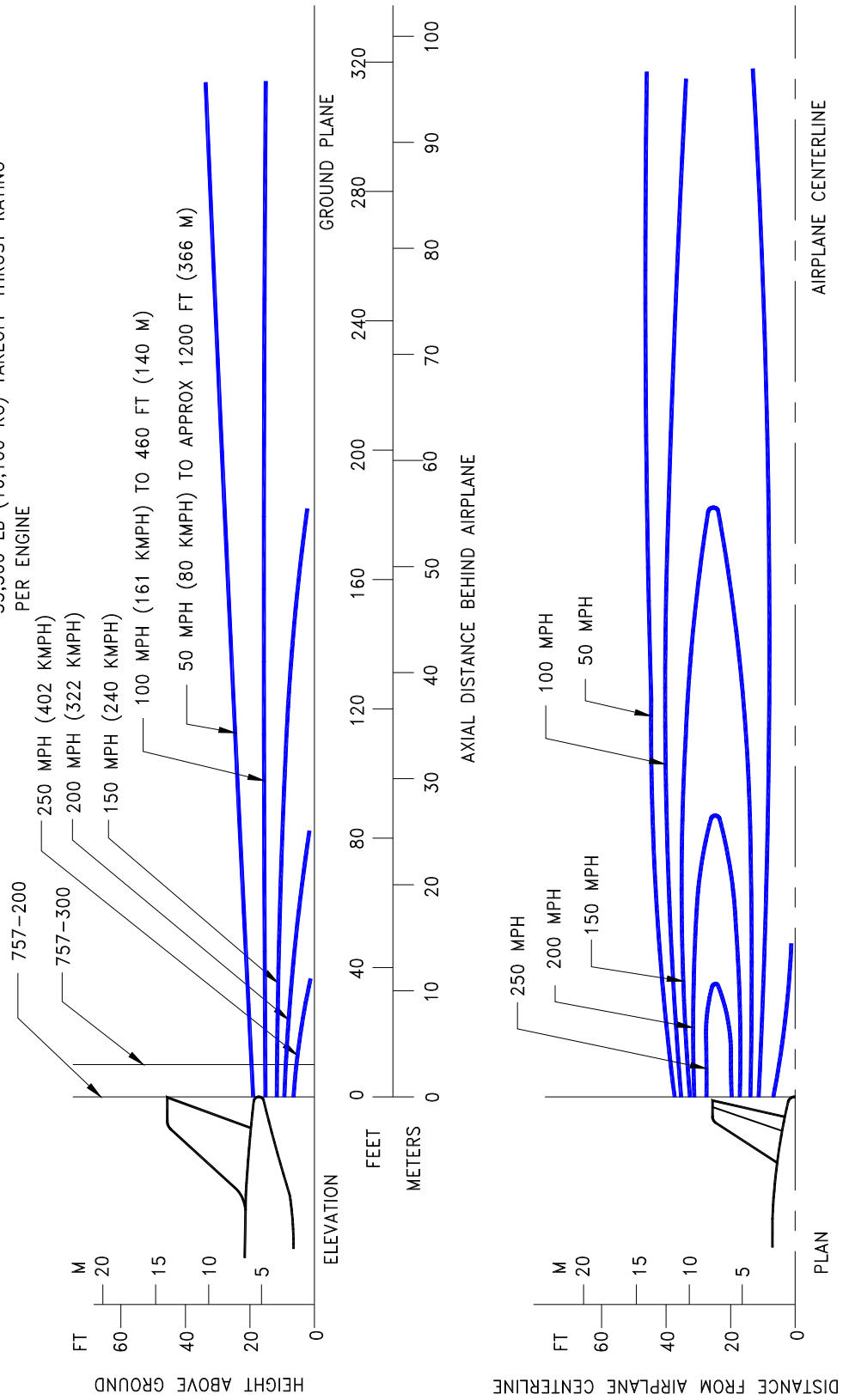
JUNE 1999 105

- NOTES:
- * SEA LEVEL
 - * STANDARD DAY
 - * ZERO WIND
 - * STATIC AIRPLANE
 - * TWO ENGINES OPERATING
 - * 6000 LB (2720 KG) THRUST PER ENGINE



6.1.2 PREDICTED JET ENGINE EXHAUST VELOCITY CONTOURS - BREAKAWAY THRUST
 MODEL 757-200, -300

- NOTES:
- * SEA LEVEL
 - * STANDARD DAY
 - * ZERO WIND
 - * STATIC AIRPLANE
 - * TWO ENGINES OPERATING
 - * 35,500 LB (16,100 KG) TAKEOFF THRUST RATING PER ENGINE

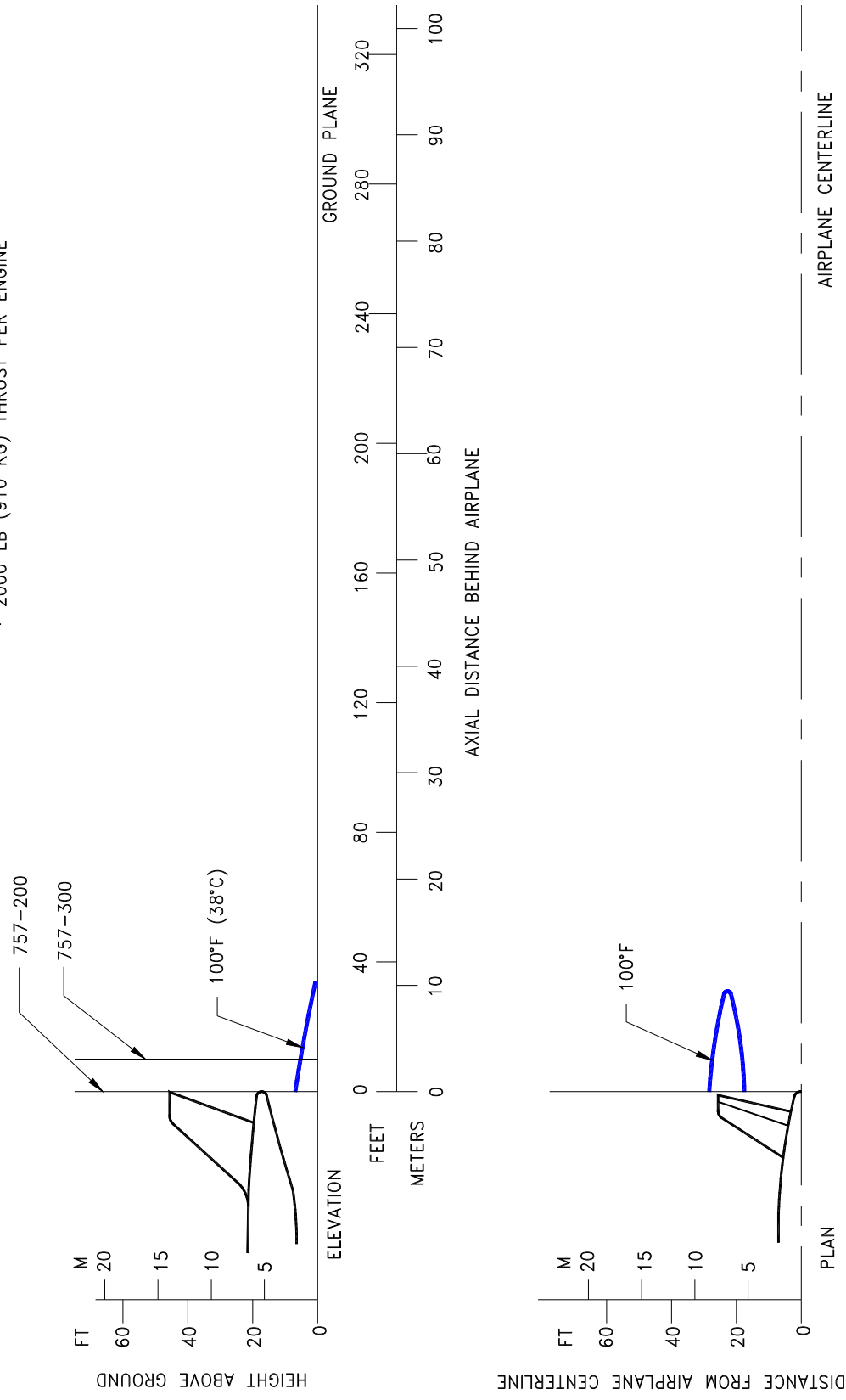


6.1.3 PREDICTED JET ENGINE EXHAUST VELOCITY CONTOURS - TAKEOFF THRUST
 MODEL 757-200, -300

D6-58327

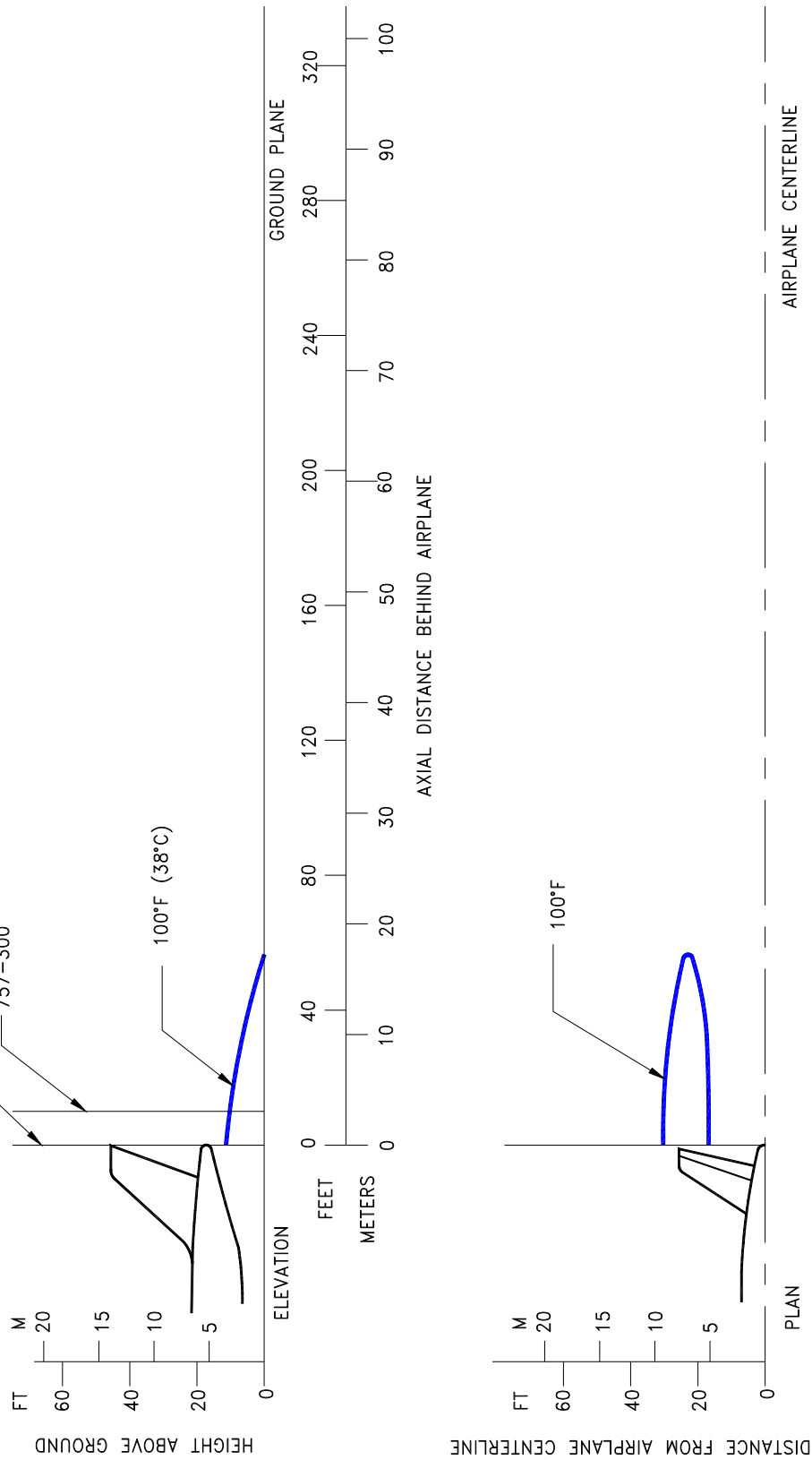
JUNE 1999 107

- NOTES:
- * SEA LEVEL
 - * STANDARD DAY
 - * ZERO WIND
 - * STATIC AIRPLANE
 - * TWO ENGINES OPERATING
 - * 2000 LB (910 KG) THRUST PER ENGINE



6.1.4 PREDICTED JET ENGINE EXHAUST TEMPERATURE CONTOURS - IDLE THRUST
 MODEL 757-200, -300

- NOTES:
- * SEA LEVEL
 - * STANDARD DAY
 - * ZERO WIND
 - * STATIC AIRPLANE
 - * TWO ENGINES OPERATING
 - * 6000 LB (2720 KG) THRUST PER ENGINE

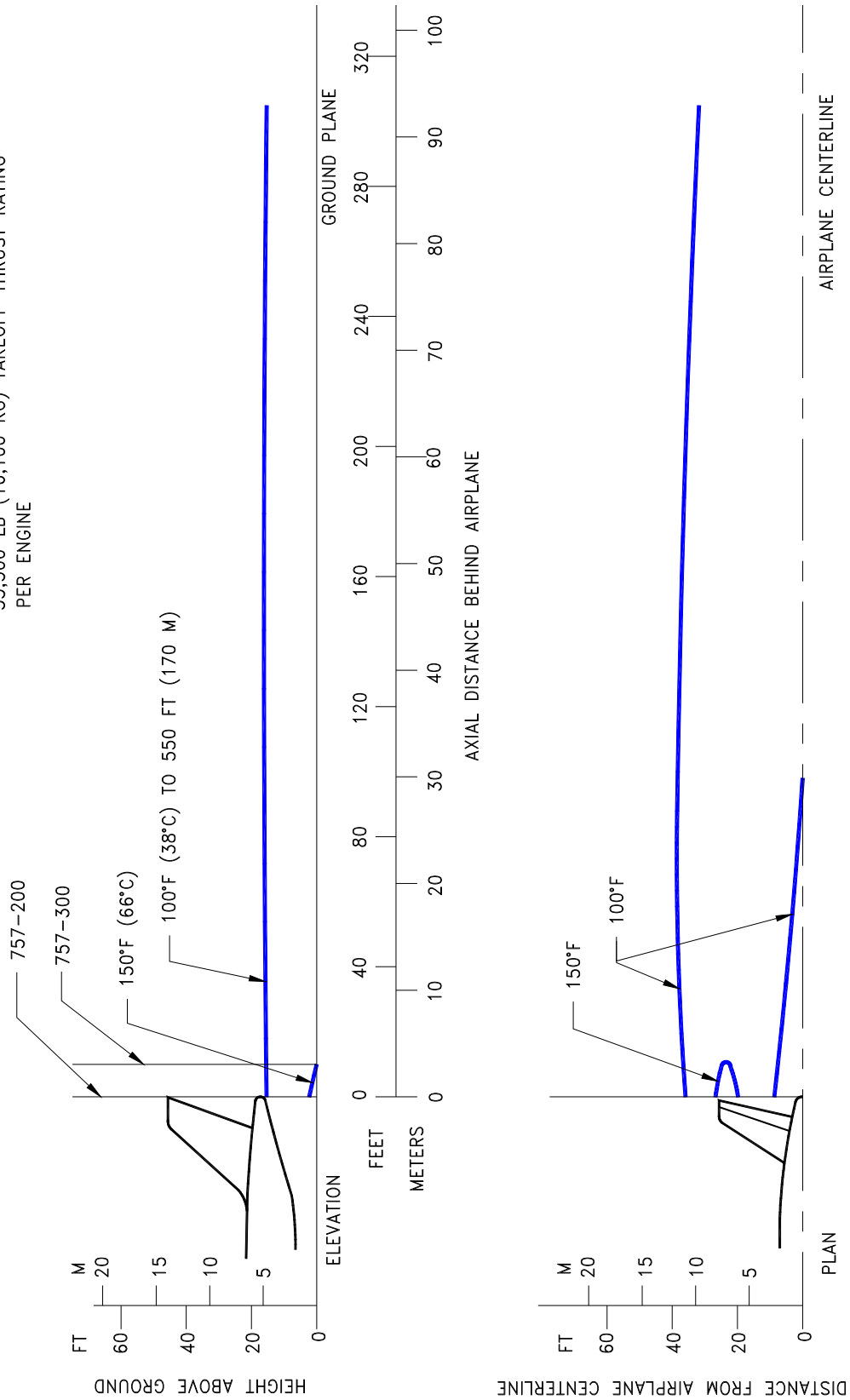


**6.1.5 PREDICTED JET ENGINE EXHAUST TEMPERATURE CONTOURS -
BREAKAWAY THRUST**
MODEL 757-200, -300

D6-58327

JUNE 1999 109

- NOTES:
- * SEA LEVEL
 - * STANDARD DAY
 - * ZERO WIND
 - * STATIC AIRPLANE
 - * TWO ENGINES OPERATING
 - * 35,500 LB (16,100 KG) TAKEOFF THRUST RATING PER ENGINE



6.1.6 PREDICTED JET ENGINE EXHAUST TEMPERATURE CONTOURS - TAKEOFF THRUST
 MODEL 757-200, -300

6.2 Airport and Community Noise

Airport noise is of major concern to the airport and community planner. The airport is a major element in the community's transportation system and, as such, is vital to its growth. However, the airport must also be a good neighbor, and this can be accomplished only with proper planning. Since aircraft noise extends beyond the boundaries of the airport, it is vital to consider the impact on surrounding communities. Many means have been devised to provide the planner with a tool to estimate the impact of airport operations. Too often they oversimplify noise to the point where the results become erroneous. Noise is not a simple subject; therefore, there are no simple answers.

The cumulative noise contour is an effective tool. However, care must be exercised to ensure that the contours, used correctly, estimate the noise resulting from aircraft operations conducted at an airport.

The size and shape of the single-event contours, which are inputs into the cumulative noise contours, are dependent upon numerous factors. They include the following:

1. Operational Factors

- (a) Aircraft Weight-Aircraft weight is dependent on distance to be traveled, en route winds, payload, and anticipated aircraft delay upon reaching the destination.
- (b) Engine Power Settings-The rates of ascent and descent and the noise levels emitted at the source are influenced by the power setting used.
- (c) Airport Altitude-Higher airport altitude will affect engine performance and thus can influence noise.

2. Atmospheric Conditions-Sound Propagation

(a) Wind-With stronger headwinds, the aircraft can take off and climb more rapidly relative to the ground. Also, winds can influence the distribution of noise in surrounding communities.

(b) Temperature and Relative Humidity-The absorption of noise in the atmosphere along the transmission path between the aircraft and the ground observer varies with both temperature and relative humidity.

3. Surface Condition-Shielding, Extra Ground Attenuation (EGA)

(a) Terrain-If the ground slopes down after takeoff or up before landing, noise will be reduced since the aircraft will be at a higher altitude above ground. Additionally, hills, shrubs, trees, and large buildings can act as sound buffers.

All these factors can alter the shape and size of the contours appreciably. To demonstrate the effect of some of these factors, estimated noise level contours for two different operating conditions are shown below. These contours reflect a given noise level upon a ground level plane at runway elevation.

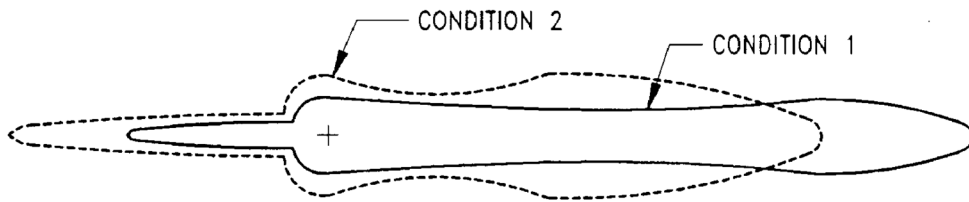
Condition 1

Landing

Takeoff

Maximum Structural Landing Weight
 10-knot Headwind
 3° Approach
 84 °F
 Humidity 15%

Maximum Gross Takeoff Weight
 Zero Wind
 84 °F
 Humidity 15%



Condition 2

Landing:

Takeoff:

85% of Maximum Structural Landing Weight
 10-knot Headwind
 3° Approach
 59 °F
 Humidity 70%

80% of Maximum Gross Takeoff Weight
 10-knot Headwind
 59 °F
 Humidity 70%

As indicated from these data, the contour size varies substantially with operating and atmospheric conditions. Most aircraft operations are, of course, conducted at less than maximum gross weights because average flight distances are much shorter than maximum aircraft range capability and average load factors are less than 100%. Therefore, in developing cumulative contours for planning purposes, it is recommended that the airlines serving a particular city be contacted to provide operational information.

In addition, there are no universally accepted methods for developing aircraft noise contours or for relating the acceptability of specific zones to specific land uses. It is therefore expected that noise contour data for particular aircraft and the impact assessment methodology will be changing. To ensure that the best currently available information of this type is used in any planning study, it is recommended that it be obtained directly from the Office of Environmental Quality in the Federal Aviation Administration in Washington, D.C.

It should be noted that the contours shown herein are only for illustrating the impact of operating and atmospheric conditions and do not represent the single-event contour of the family of aircraft described in this document. It is expected that the cumulative contours will be developed as required by planners using the data and methodology applicable to their specific study.

7.0 PAVEMENT DATA

- 7.1 General Information**
- 7.2 Landing Gear Footprint**
- 7.3 Maximum Pavement Loads**
- 7.4 Landing Gear Loading on Pavement**
- 7.5 Flexible Pavement Requirements - U.S. Army Corps of Engineers Method S-77-1**
- 7.6 Flexible Pavement Requirements - LCN Conversion**
- 7.7 Rigid Pavement Requirements - Portland Cement Association Design Method**
- 7.8 Rigid Pavement Requirements - LCN Conversion**
- 7.9 Rigid Pavement Requirements - FAA Method**
- 7.10 ACN/PCN Reporting System - Flexible and Rigid Pavements**

7.0 PAVEMENT DATA

7.1 General Information

A brief description of the pavement charts that follow will help in their use for airport planning. Each airplane configuration is depicted with a minimum range of six loads imposed on the main landing gear to aid in interpolation between the discrete values shown. All curves for any single chart represent data based on rated loads and tire pressures considered normal and acceptable by current aircraft tire manufacturer's standards. Tire pressures, where specifically designated on tables and charts, are at values obtained under loaded conditions as certificated for commercial use.

Section 7.2 presents basic data on the landing gear footprint configuration, maximum design taxi loads, and tire sizes and pressures.

Maximum pavement loads for certain critical conditions at the tire-to-ground interface are shown in Section 7.3, with the tires having equal loads on the struts.

Pavement requirements for commercial airplanes are customarily derived from the static analysis of loads imposed on the main landing gear struts. The chart in Section 7.4 is provided in order to determine these loads throughout the stability limits of the airplane at rest on the pavement. These main landing gear loads are used as the point of entry to the pavement design charts, interpolating load values where necessary.

The flexible pavement design curves (Section 7.5) are based on procedures set forth in Instruction Report No. S-77-1, "Procedures for Development of CBR Design Curves," dated June 1977, and as modified according to the methods described in ICAO Aerodrome Design Manual, Part 3, Pavements, 2nd Edition, 1983, Section 1.1 (The ACN-PCN Method), and utilizing the alpha factors approved by ICAO in October 2007. Instruction Report No. S-77-1 was prepared by the U.S. Army Corps of Engineers Waterways Experiment Station, Soils and Pavements Laboratory, Vicksburg, Mississippi. The line showing 10,000 coverages is used to calculate Aircraft Classification Number (ACN).

The following procedure is used to develop the curves, such as shown in Section 7.5:

1. Having established the scale for pavement depth at the bottom and the scale for CBR at the top, an arbitrary line is drawn representing 6,000 annual departures.
2. Values of the aircraft gross weight are then plotted.
3. Additional annual departure lines are drawn based on the load lines of the aircraft gross weights already established.
4. An additional line representing 10,000 coverages (used to calculate the flexible pavement Aircraft Classification Number) is also placed.

All Load Classification Number (LCN) curves (Sections 7.6 and 7.8) have been developed from a computer program based on data provided in International Civil Aviation Organization (ICAO) document 9157-AN/901, Aerodrome Design Manual, Part 3, "Pavements", First Edition, 1977. LCN values are shown directly for parameters of weight on main landing gear, tire pressure, and radius of relative stiffness (l) for rigid pavement or pavement thickness or depth factor (h) for flexible pavement.

Rigid pavement design curves (Section 7.7) have been prepared with the Westergaard equation in general accordance with the procedures outlined in the Design of Concrete Airport Pavement (1955 edition) by Robert G. Packard, published by the American Concrete Pavement Association, 3800 North Wilke Road, Arlington Heights, Illinois 60004-1268. These curves are modified to the format described in the Portland Cement Association publication XP6705-2, Computer Program for Airport Pavement Design (Program PDILB), 1968, by Robert G. Packard.

The following procedure is used to develop the rigid pavement design curves shown in Section 7.7:

1. Having established the scale for pavement thickness to the left and the scale for allowable working stress to the right, an arbitrary load line is drawn representing the main landing gear maximum weight to be shown.
2. Values of the subgrade modulus (k) are then plotted.
3. Additional load lines for the incremental values of weight on the main landing gear are drawn on the basis of the curve for $k = 300$, already established.

The ACN/PCN system (Section 7.10) as referenced in ICAO Annex 14, "Aerodromes," First Edition, July 1990, provides a standardized international airplane/pavement rating system replacing the various S, T, TT, LCN, AUW, ISWL, etc., rating systems used throughout the world. ACN is the Aircraft Classification Number and PCN is the Pavement Classification Number. An aircraft having an ACN equal to or less than the PCN can operate on the pavement subject to any limitation on the tire pressure. Numerically, the ACN is two times the derived single-wheel load expressed in thousands of kilograms, where the derived single wheel load is defined as the load on a single tire inflated to 181 psi (1.25 MPa) that would have the same pavement requirements as the aircraft. Computationally, the ACN/PCN system uses the PCA program PDILB for rigid pavements and S-77-1 for flexible pavements to calculate ACN values. The method of pavement evaluation is left up to the airport with the results of their evaluation presented as follows:

| PCN | PAVEMENT TYPE | SUBGRADE CATEGORY | TIRE PRESSURE CATEGORY | EVALUATION METHOD |
|-----|---------------------------|--|---|-------------------------------------|
| | R = Rigid F = Flexible | A = High B = Medium C = Low D = Ultra Low | W = No Limit X = To 254 psi (1.75 MPa) Y = To 181 psi (1.25 MPa) Z = To 73 psi (0.5 MPa) | T = Technical U = Using Aircraft |

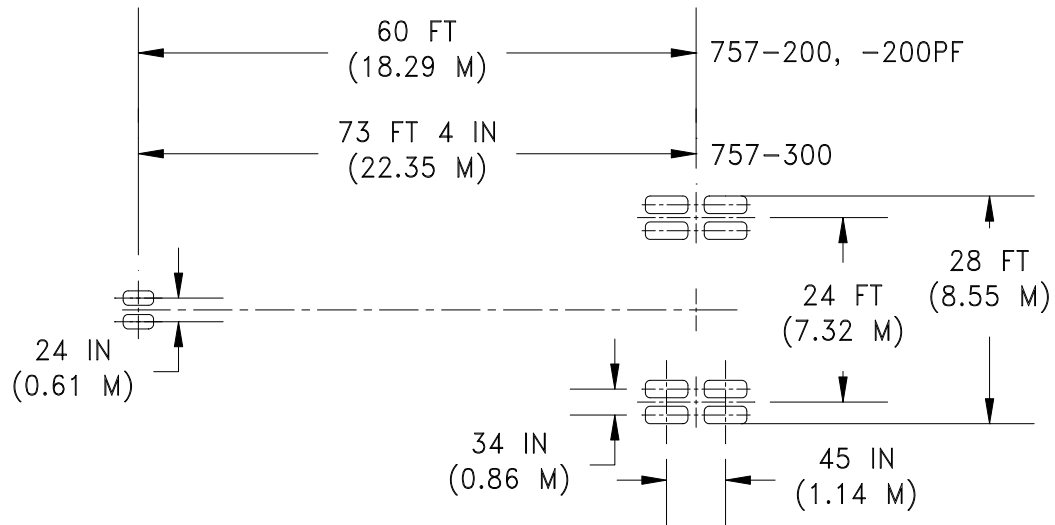
Section 7.10.1 shows the aircraft ACN values for flexible pavements. The four subgrade categories are:

- Code A - High Strength - CBR 15
- Code B - Medium Strength - CBR 10
- Code C - Low Strength - CBR 6
- Code D - Ultra Low Strength - CBR 3

Section 7.10.2 shows the aircraft ACN values for rigid pavements. The four subgrade categories are:

- Code A - High Strength, $k = 550 \text{ pci (150 MN/m}^3\text{)}$
- Code B - Medium Strength, $k = 300 \text{ pci (80 MN/m}^3\text{)}$
- Code C - Low Strength, $k = 150 \text{ pci (40 MN/m}^3\text{)}$
- Code D - Ultra Low Strength, $k = 75 \text{ pci (20 MN/m}^3\text{)}$

NOT TO SCALE



| | UNITS | 757-200, -200PF | | | | | 757-300 |
|--------------------------------|--------------------|--------------------------|---------|---------|------------------------|--------------------------|---------|
| MAXIMUM DESIGN TAXI WEIGHT | LB | 221,000 | 231,000 | 241,000 | 251,000 | 256,000 | 271,000 |
| | KG | 100,250 | 104,800 | 109,300 | 113,850 | 116,100 | 122,920 |
| PERCENT OF WEIGHT ON MAIN GEAR | | SEE SECTION 7.4 | | | | | |
| NOSE GEAR TIRE SIZE | IN. | H31 X 13 - 12 20 PR | | | H31 x 13 - 12 20 PR | | |
| NOSE GEAR TIRE PRESSURE | PSI | 150 | | | 155 | 136 | |
| | KG/CM ² | 10.55 | | | 10.90 | 9.56 | |
| MAIN GEAR TIRE SIZE | IN. | H40 X 14.5 - 19 22 PR | | | H40 X 14.5 24 PR | H40 x 14.5 - 19 26 PR | |
| MAIN GEAR TIRE PRESSURE | PSI | 162 | 168 | 170 | 179 | 183 | 195 |
| | KG/CM ² | 11.39 | 11.81 | 11.95 | 12.80 | 12.87 | 13.70 |

7.2 LANDING GEAR FOOTPRINT

MODEL 757-200, -200PF, -300

D6-58327

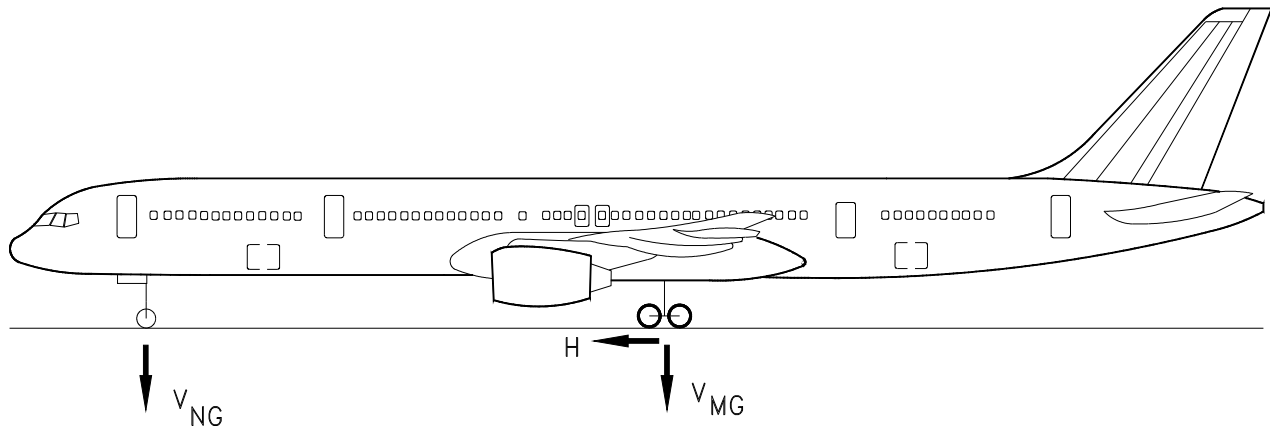
JUNE 2010 119

$V_{(NG)}$ = MAXIMUM VERTICAL NOSE GEAR GROUND LOAD AT MOST FORWARD CENTER OF GRAVITY

$V_{(MG)}$ = MAXIMUM VERTICAL MAIN GEAR GROUND LOAD AT MOST AFT CENTER OF GRAVITY

H = MAXIMUM HORIZONTAL GROUND LOAD FROM BRAKING

NOTE: ALL LOADS CALCULATED USING AIRPLANE MAXIMUM DESIGN TAXI WEIGHT



| MODEL | UNIT | MAXIMUM DESIGN TAXI WEIGHT | $V_{(NG)}$ | | $V_{(MG)}$ PER STRUT | H PER STRUT | |
|----------------|------|----------------------------|-------------------------|---|-----------------------------|---|--|
| | | | STATIC AT MOST FWD C.G. | STATIC + BRAKING 10 FT/SEC ² DECEL | MAX LOAD AT STATIC AFT C.G. | STEADY BRAKING 10 FT/SEC ² DECEL | AT INSTANTANEOUS BRAKING ($\mu=0.8$) |
| 757-200,-200PF | LB | 221,000 | 31,100 | 45,100 | 102,900 | 34,300 | 82,300 |
| | KG | 100,250 | 14,100 | 20,450 | 46,650 | 15,550 | 37,350 |
| 757-200,-200PF | LB | 231,000 | 31,700 | 46,400 | 105,600 | 35,900 | 84,500 |
| | KG | 104,800 | 14,400 | 21,050 | 47,900 | 16,300 | 38,350 |
| 757-200,-200PF | LB | 241,000 | 31,900 | 47,200 | 108,900 | 37,400 | 87,100 |
| | KG | 109,300 | 14,450 | 21,400 | 49,400 | 16,950 | 37,500 |
| 757-200,-200PF | LB | 251,000 | 33,300 | 48,900 | 115,800 | 39,000 | 92,700 |
| | KG | 113,850 | 15,100 | 22,200 | 52,550 | 17,700 | 42,050 |
| 757-200,-200PF | LB | 256,000 | 28,200 | 44,800 | 116,700 | 39,800 | 93,400 |
| | KG | 116,100 | 12,800 | 20,300 | 52,950 | 18,050 | 42,350 |
| 757-300 | LB | 271,000 | 28,600 | 42,800 | 125,500 | 42,100 | 100,400 |
| | KG | 122,920 | 12,980 | 19,400 | 56,900 | 19,100 | 45,550 |

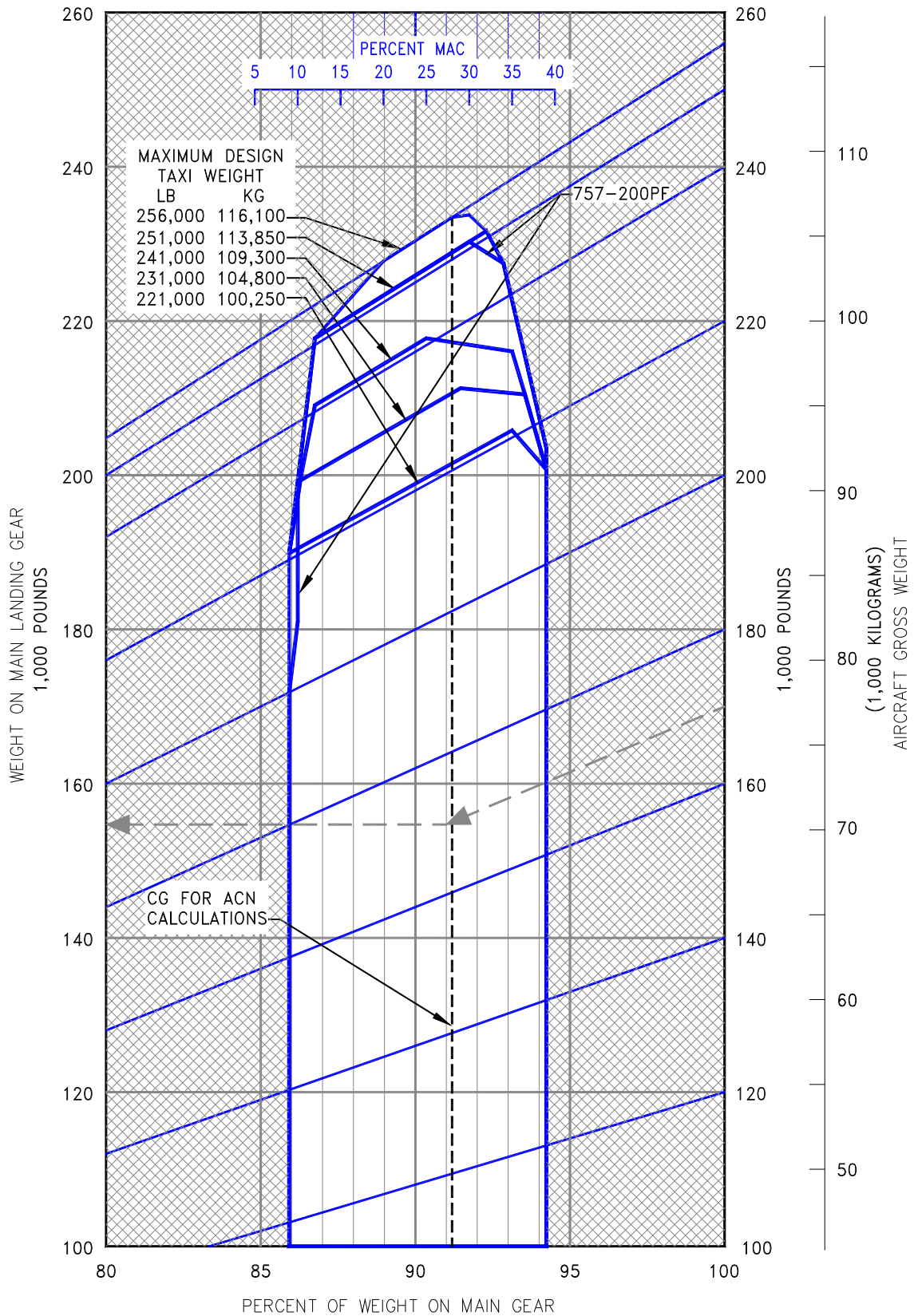
7.3 MAXIMUM PAVEMENT LOADS

MODEL 757-200, 300

D6-58327

120 JUNE 1999

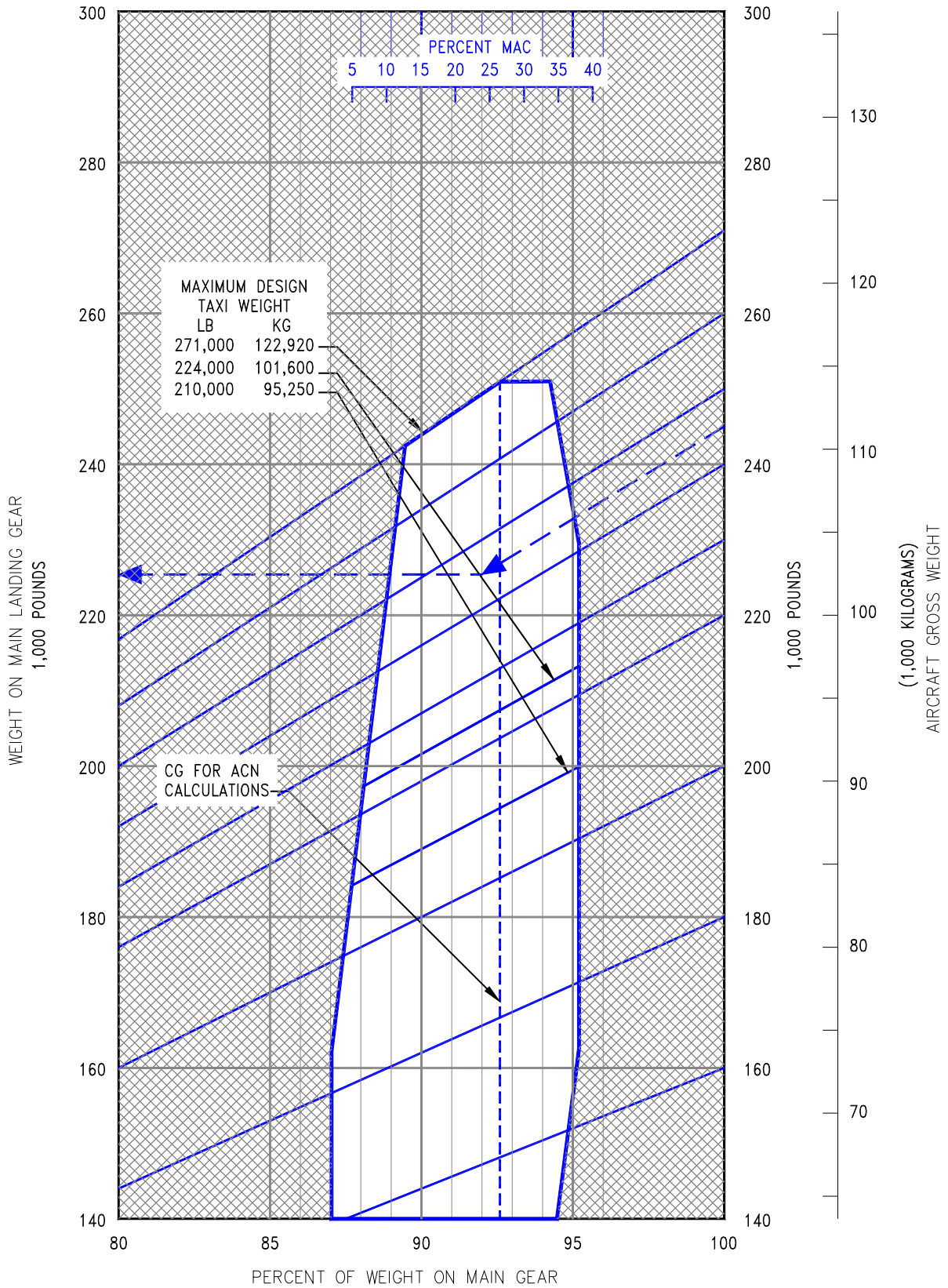
Not Subject to EAR or ITAR.
Copyright © 2023 Boeing. All Rights Reserved.



7.4.1 LANDING GEAR LOADING ON PAVEMENT
MODEL 757-200, -200PF

D6-58327

JUNE 1999 121



7.4.2 LANDING GEAR LOADING ON PAVEMENT
MODEL 757-300

D6-58327

122 JUNE 1999

7.5 Flexible Pavement Requirements - U.S. Army Corps of Engineers Method (S-77-1)

The following flexible-pavement design chart presents the data of six incremental main-gear loads at the minimum tire pressure required at the maximum design taxi weight.

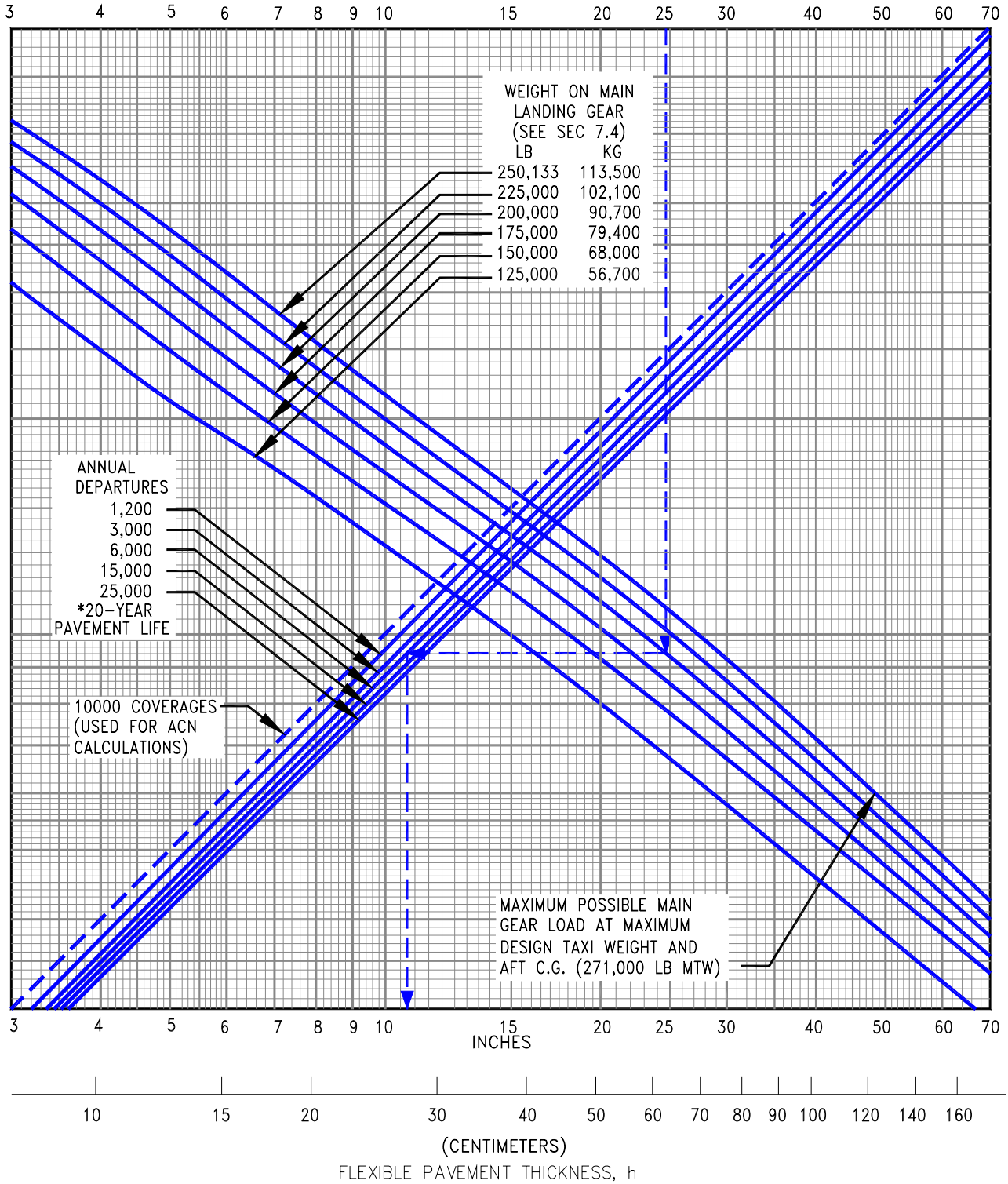
In the example shown in the next page, for a CBR of 24.5 and an annual departure level of 6,000, the required flexible pavement thickness for an airplane with a main gear loading of 200,000 pounds is 10.7 inches.

The line showing 10,000 coverages is used for ACN calculations (see Section 7.10).

The FAA design method uses a similar procedure using total airplane weight instead of weight on the main landing gears. The equivalent main gear loads for a given airplane weight could be calculated from Section 7.4.

NOTE: TIRES - H40 x 14.5-19 , 22PR, 24PR, 26PR

CALIFORNIA BEARING RATIO, CBR



7.5 FLEXIBLE PAVEMENT REQUIREMENTS - U.S. ARMY CORPS OF ENGINEERS DESIGN METHOD (S-77-1)
 MODEL 757-200, -200PF, -300

D6-58327

124 JUNE 1999

7.6 Flexible Pavement Requirements - LCN Method

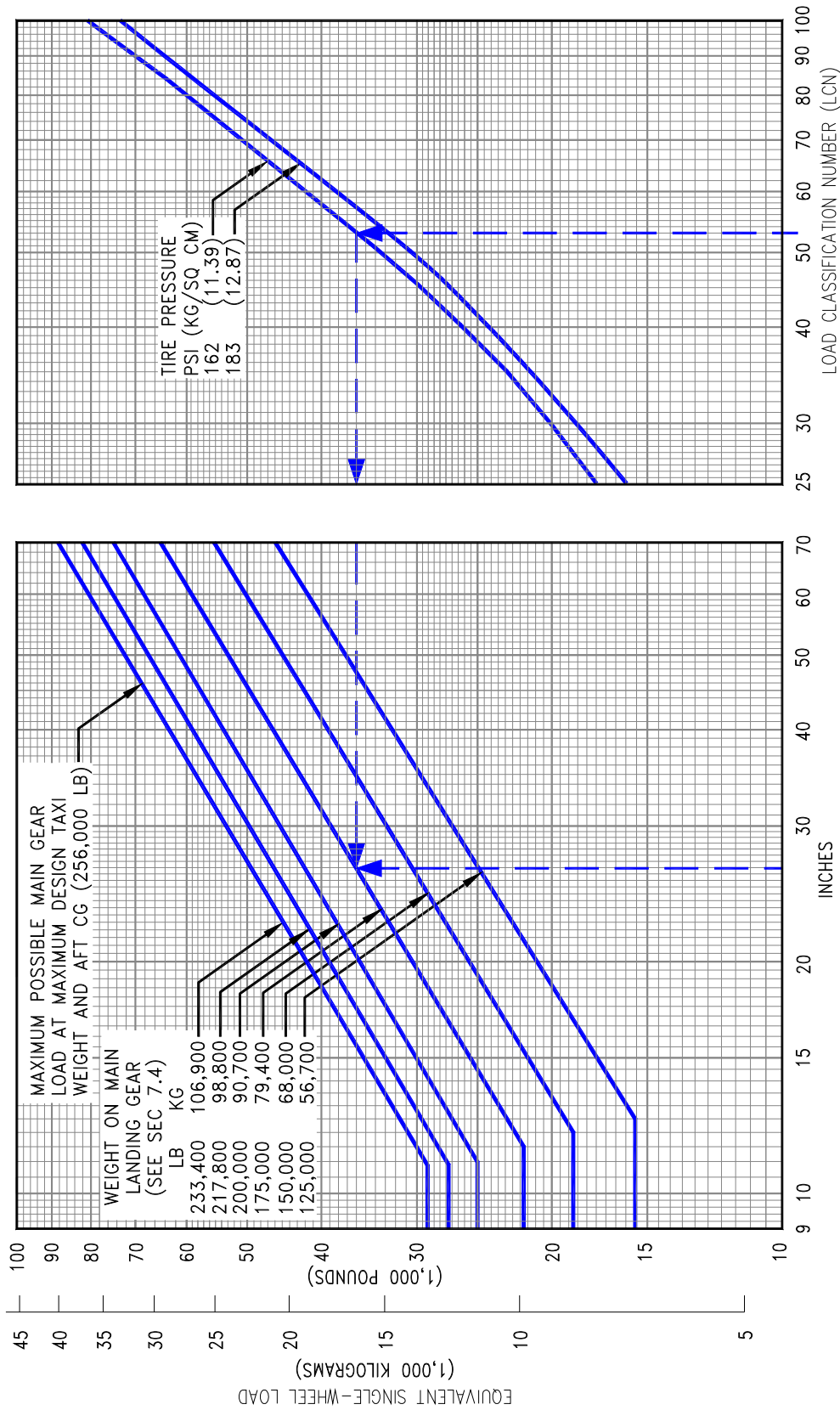
To determine the airplane weight that can be accommodated on a particular flexible pavement, both the Load Classification Number (LCN) of the pavement and the thickness must be known.

In the example shown in Section 7.6.1, flexible pavement thickness is shown at 26.5 in. with an LCN of 53. For these conditions, the apparent maximum allowable weight permissible on the main landing gear of a 757-200 airplane with 162-psi main gear tires is 175,000 lb.

In Section 7.6.2, flexible pavement thickness is shown at 17 in. with an LCN of 55. For these conditions, the apparent maximum allowable weight permissible on the main landing gear of a 757-300 airplane with 195-psi main gear tires is 200,000 lb.

Note: If the resultant aircraft LCN is not more than 10% above the published pavement LCN, the bearing strength of the pavement can be considered sufficient for unlimited use by the airplane. The figure 10% has been chosen as representing the lowest degree of variation in LCN that is significant (reference: ICAO Aerodrome Manual, Part 2, "Aerodrome Physical Characteristics," Chapter 4, Paragraph 4.1.5.7v, 2nd Edition dated 1965).

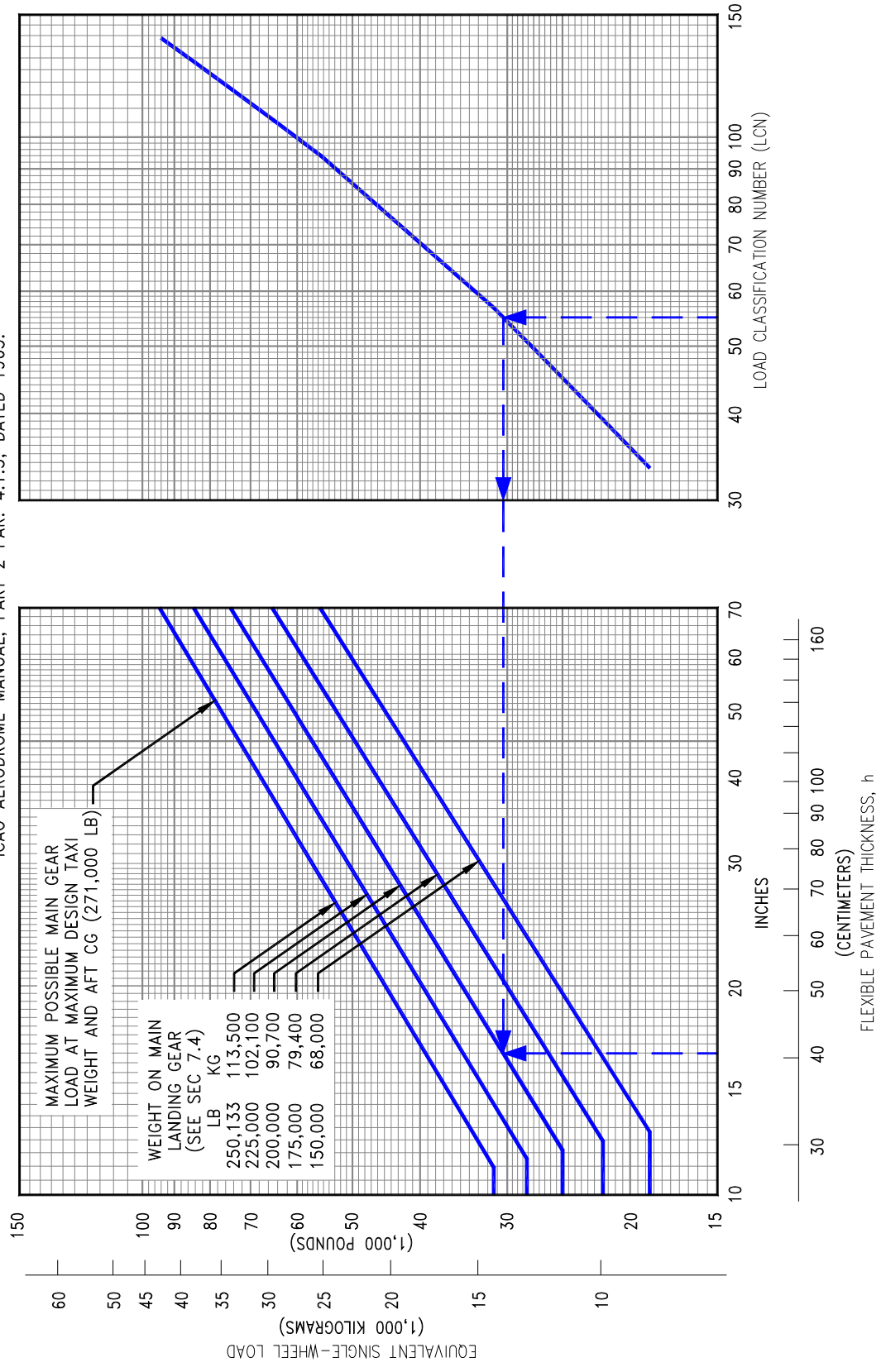
NOTES:
 * TIRES - H40 x 14.5-19, 22PR, 24PR
 * EQUIVALENT SINGLE-WHEEL LOADS ARE DERIVED FROM ICAO AERODROME MANUAL, PART 2 PAR. 4.1.3, DATED 1965.



7.6.1 FLEXIBLE PAVEMENT REQUIREMENTS - LCN METHOD
 MODEL 757-200, -200PF

D6-58327

NOTES:
 * TIRES - H40 x 14.5-19, 26PR
 * AT 195 PSI (13.70 KG/SQ CM)
 * EQUIVALENT SINGLE-WHEEL LOADS ARE DERIVED FROM
 ICAO AERODROME MANUAL, PART 2 PAR. 4.1.3, DATED 1965.



7.6.2 FLEXIBLE PAVEMENT REQUIREMENTS - LCN METHOD
 MODEL 757-300

D6-58327

7.7 Rigid Pavement Requirements - Portland Cement Association Design Method

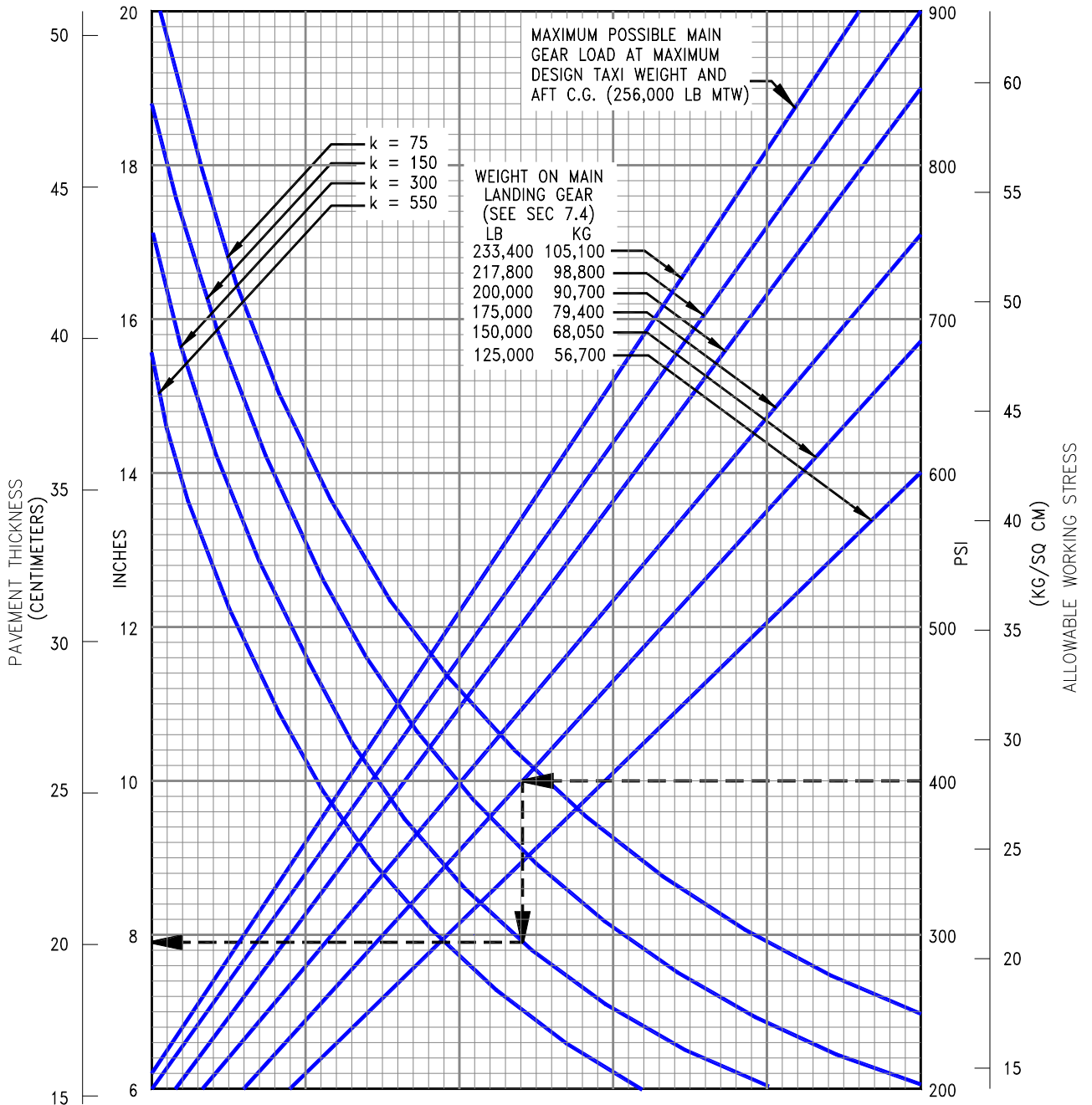
The Portland Cement Association method of calculating rigid pavement requirements is based on the computerized version of "Design of Concrete Airport Pavement" (Portland Cement Association, 1955) as described in XP6705-2, "Computer Program for Airport Pavement Design" by Robert G. Packard, Portland Cement Association, 1968.

The following rigid pavement design chart presents the data for six incremental main gear loads at the minimum tire pressure required at the maximum design taxi weight.

In the example shown in Section 7.7.1, for an allowable working stress of 400 psi, and a subgrade strength (k) of 300, the required rigid pavement thickness for a 757-200 airplane with a main gear load of 200,000 lb, is 7.9 in.

In Section 7.7.2, for an allowable working stress of 450 psi, and a subgrade strength (k) of 300, the required rigid pavement thickness for a 757-300 airplane with a main gear load of 200,000 lb, is 8.9 in.

NOTE: TIRES - H40x14.5-19 22PR, 24PR
 PRESSURE RANGE FROM 162 TO 170 PSI (11.39 TO 11.95 KG/SC CM)

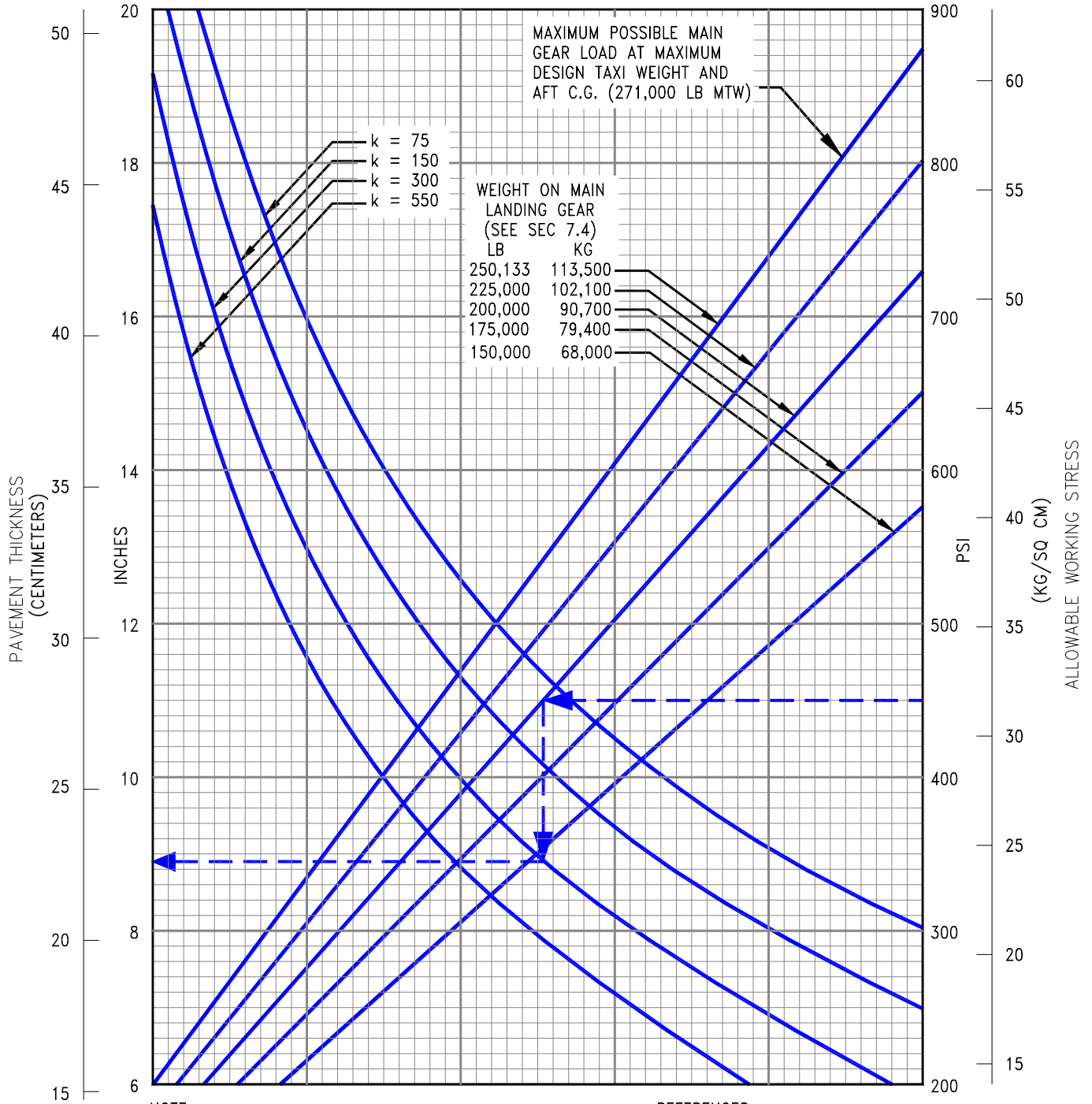


NOTE:
 THE VALUES OBTAINED BY USING THE MAXIMUM LOAD REFERENCE LINE AND ANY VALUE OF k ARE EXACT. FOR LOADS LESS THAN MAXIMUM, THE CURVES ARE EXACT FOR k = 300 BUT DEVIATE SLIGHTLY FOR OTHER VALUES OF k.

REFERENCES:
 "DESIGN OF CONCRETE AIRPORT PAVEMENT" AND "COMPUTER PROGRAM FOR AIRPORT PAVEMENT DESIGN - PROGRAM PDILB" PORTLAND CEMENT ASSOCIATION.

7.7.1 RIGID PAVEMENT REQUIREMENTS - PORTLAND CEMENT ASSOCIATION DESIGN METHOD
 MODEL 757-200, -200PF

NOTE: TIRES - H40x14.5-19 26PR



NOTE:
 THE VALUES OBTAINED BY USING THE MAXIMUM LOAD REFERENCE LINE AND ANY VALUE OF k ARE EXACT.
 FOR LOADS LESS THAN MAXIMUM, THE CURVES ARE EXACT FOR $k = 300$ BUT DEVIATE SLIGHTLY FOR OTHER VALUES OF k .

REFERENCES:
 "DESIGN OF CONCRETE AIRPORT PAVEMENT" AND "COMPUTER PROGRAM FOR AIRPORT PAVEMENT DESIGN - PROGRAM PDILB"
 PORTLAND CEMENT ASSOCIATION.

7.7.2 RIGID PAVEMENT REQUIREMENTS - PORTLAND CEMENT ASSOCIATION DESIGN METHOD
 MODEL 757-300

D6-58327

7.8 Rigid Pavement Requirements - LCN Conversion

To determine the airplane weight that can be accommodated on a particular rigid pavement, both the LCN of the pavement and the radius of relative stiffness (l) of the pavement must be known.

In the example shown in Section 7.8.2, for a rigid pavement with a radius of relative stiffness of 37 with an LCN of 45, the apparent maximum allowable weight permissible on the main landing gear is 150,000 lb for an airplane with 195-psi main tires.

Note: If the resultant aircraft LCN is not more than 10% above the published pavement LCN, the bearing strength of the pavement can be considered sufficient for unlimited use by the airplane. The figure 10% has been chosen as representing the lowest degree of variation in LCN that is significant (reference: ICAO Aerodrome Manual, Part 2, "Aerodrome Physical Characteristics," Chapter 4, Paragraph 4.1.5.7v, 2nd Edition dated 1965).

RADIUS OF RELATIVE STIFFNESS (l)
VALUES IN INCHES

$$l = \sqrt[4]{\frac{Ed^3}{12(1-\mu^2)k}} = 24.1652 \sqrt[4]{\frac{d^3}{k}}$$

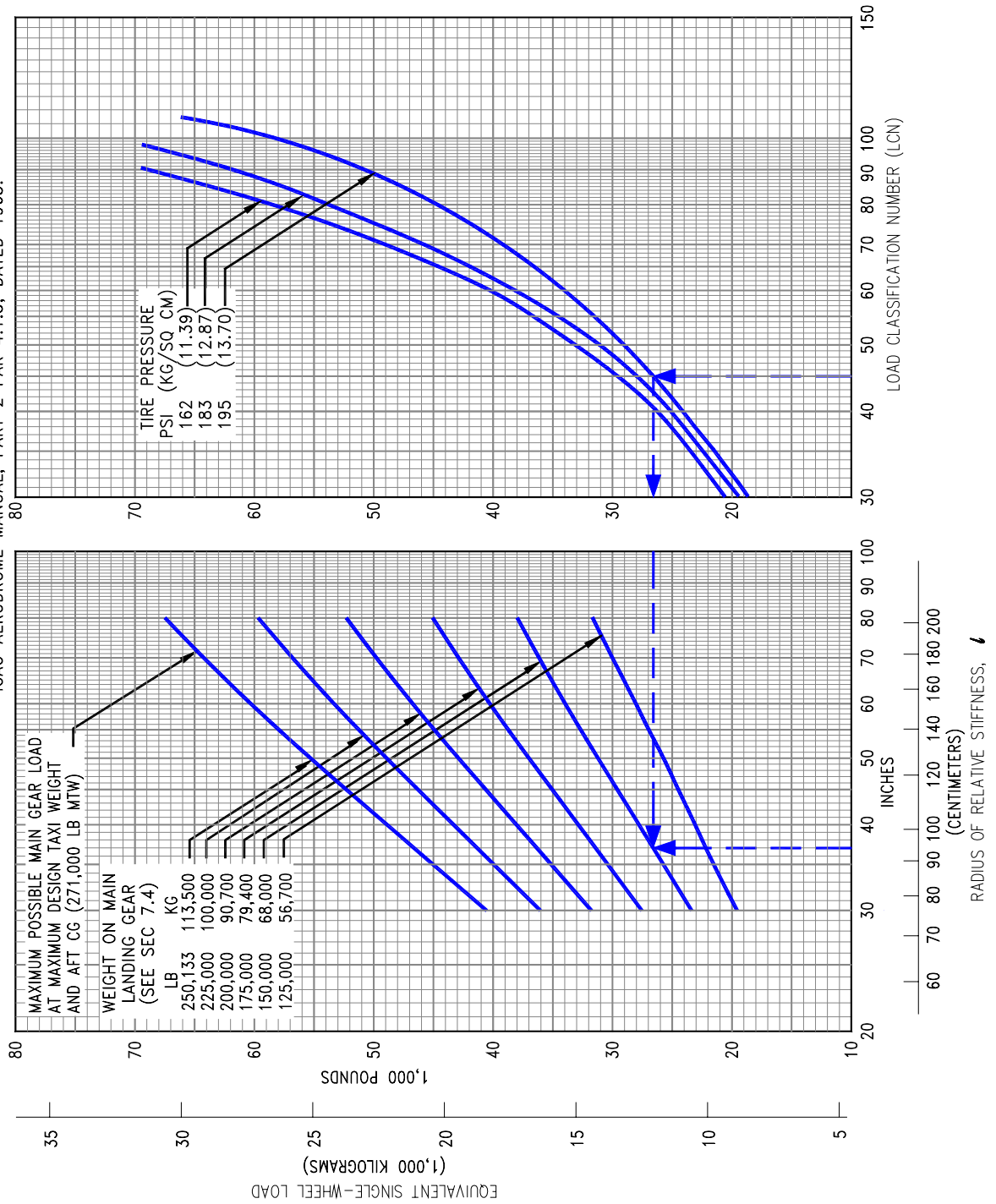
WHERE: E = YOUNG'S MODULUS OF ELASTICITY = 4×10^6 psi
 k = SUBGRADE MODULUS, LB PER CU IN
 d = RIGID PAVEMENT THICKNESS, IN
 μ = POISSON'S RATIO = 0.15

| d | k = 75 | k = 100 | k = 150 | k = 200 | k = 250 | k = 300 | k = 350 | k = 400 | k = 500 | k = 550 |
|------|--------|---------|---------|---------|---------|---------|---------|---------|---------|---------|
| 6.0 | 31.48 | 29.29 | 26.47 | 24.63 | 23.30 | 22.26 | 21.42 | 20.71 | 19.59 | 19.13 |
| 6.5 | 33.42 | 31.10 | 28.11 | 26.16 | 24.74 | 23.63 | 22.74 | 21.99 | 20.80 | 20.31 |
| 7.0 | 35.33 | 32.88 | 29.71 | 27.65 | 26.15 | 24.99 | 24.04 | 23.25 | 21.99 | 21.47 |
| 7.5 | 37.21 | 34.63 | 31.29 | 29.12 | 27.54 | 26.31 | 25.32 | 24.49 | 23.16 | 22.61 |
| 8.0 | 39.06 | 36.35 | 32.84 | 30.56 | 28.91 | 27.62 | 26.57 | 25.70 | 24.31 | 23.73 |
| 8.5 | 40.87 | 38.04 | 34.37 | 31.99 | 30.25 | 28.90 | 27.81 | 26.90 | 25.44 | 24.84 |
| 9.0 | 42.66 | 39.70 | 35.88 | 33.39 | 31.57 | 30.17 | 29.03 | 28.07 | 26.55 | 25.93 |
| 9.5 | 44.43 | 41.35 | 37.36 | 34.77 | 32.88 | 31.42 | 30.23 | 29.24 | 27.65 | 27.00 |
| 10.0 | 46.17 | 42.97 | 38.83 | 36.13 | 34.17 | 32.65 | 31.41 | 30.38 | 28.73 | 28.06 |
| 10.5 | 47.89 | 44.57 | 40.27 | 37.48 | 35.44 | 33.87 | 32.58 | 31.52 | 29.81 | 29.10 |
| 11.0 | 49.59 | 46.15 | 41.70 | 38.81 | 36.70 | 35.07 | 33.74 | 32.63 | 30.86 | 30.14 |
| 11.5 | 51.27 | 47.72 | 43.12 | 40.12 | 37.95 | 36.26 | 34.89 | 33.74 | 31.91 | 31.16 |
| 12.0 | 52.94 | 49.26 | 44.51 | 41.43 | 39.18 | 37.43 | 36.02 | 34.83 | 32.94 | 32.17 |
| 12.5 | 54.58 | 50.80 | 45.90 | 42.71 | 40.40 | 38.60 | 37.14 | 35.92 | 33.97 | 33.17 |
| 13.0 | 56.21 | 52.31 | 47.27 | 43.99 | 41.60 | 39.75 | 38.25 | 36.99 | 34.98 | 34.16 |
| 13.5 | 57.83 | 53.81 | 48.63 | 45.25 | 42.80 | 40.89 | 39.34 | 38.05 | 35.99 | 35.14 |
| 14.0 | 59.43 | 55.30 | 49.97 | 46.50 | 43.98 | 42.02 | 40.43 | 39.10 | 36.98 | 36.11 |
| 14.5 | 61.01 | 56.78 | 51.30 | 47.74 | 45.15 | 43.14 | 41.51 | 40.15 | 37.97 | 37.07 |
| 15.0 | 62.58 | 58.24 | 52.62 | 48.97 | 46.32 | 44.25 | 42.58 | 41.18 | 38.95 | 38.03 |
| 15.5 | 64.14 | 59.69 | 53.93 | 50.19 | 47.47 | 45.35 | 43.64 | 42.21 | 39.92 | 38.98 |
| 16.0 | 65.69 | 61.13 | 55.23 | 51.40 | 48.61 | 46.45 | 44.69 | 43.22 | 40.88 | 39.92 |
| 16.5 | 67.22 | 62.55 | 56.52 | 52.60 | 49.75 | 47.53 | 45.73 | 44.23 | 41.83 | 40.85 |
| 17.0 | 68.74 | 63.97 | 57.80 | 53.79 | 50.87 | 48.61 | 46.77 | 45.23 | 42.78 | 41.77 |
| 17.5 | 70.25 | 65.38 | 59.07 | 54.97 | 51.99 | 49.68 | 47.80 | 46.23 | 43.72 | 42.69 |
| 18.0 | 71.75 | 66.77 | 60.34 | 56.15 | 53.10 | 50.74 | 48.82 | 47.22 | 44.65 | 43.60 |
| 19.0 | 74.72 | 69.54 | 62.83 | 58.47 | 55.30 | 52.84 | 50.84 | 49.17 | 46.50 | 45.41 |
| 20.0 | 77.65 | 72.26 | 65.30 | 60.77 | 57.47 | 54.91 | 52.83 | 51.10 | 48.33 | 47.19 |
| 21.0 | 80.55 | 74.96 | 67.73 | 63.03 | 59.61 | 56.95 | 54.80 | 53.00 | 50.13 | 48.95 |
| 22.0 | 83.41 | 77.62 | 70.14 | 65.27 | 61.73 | 58.98 | 56.75 | 54.88 | 51.91 | 50.68 |
| 23.0 | 86.23 | 80.25 | 72.51 | 67.48 | 63.82 | 60.98 | 58.67 | 56.74 | 53.67 | 52.40 |
| 24.0 | 89.03 | 82.85 | 74.86 | 69.67 | 65.89 | 62.95 | 60.57 | 58.58 | 55.41 | 54.10 |
| 25.0 | 91.80 | 85.43 | 77.19 | 71.84 | 67.94 | 64.91 | 62.46 | 60.41 | 57.13 | 55.78 |

**7.8.1 RADIUS OF RELATIVE STIFFNESS
(REFERENCE: PORTLAND CEMENT ASSOCIATION)**

D6-58327

NOTES: * TIRES - H40 x 14.5-19, 22PR, 24PR, 26PR
 * EQUIVALENT SINGLE-WHEEL LOADS ARE DERIVED FROM ICAO AERODROME MANUAL, PART 2 PAR 4.1.3, DATED 1965.



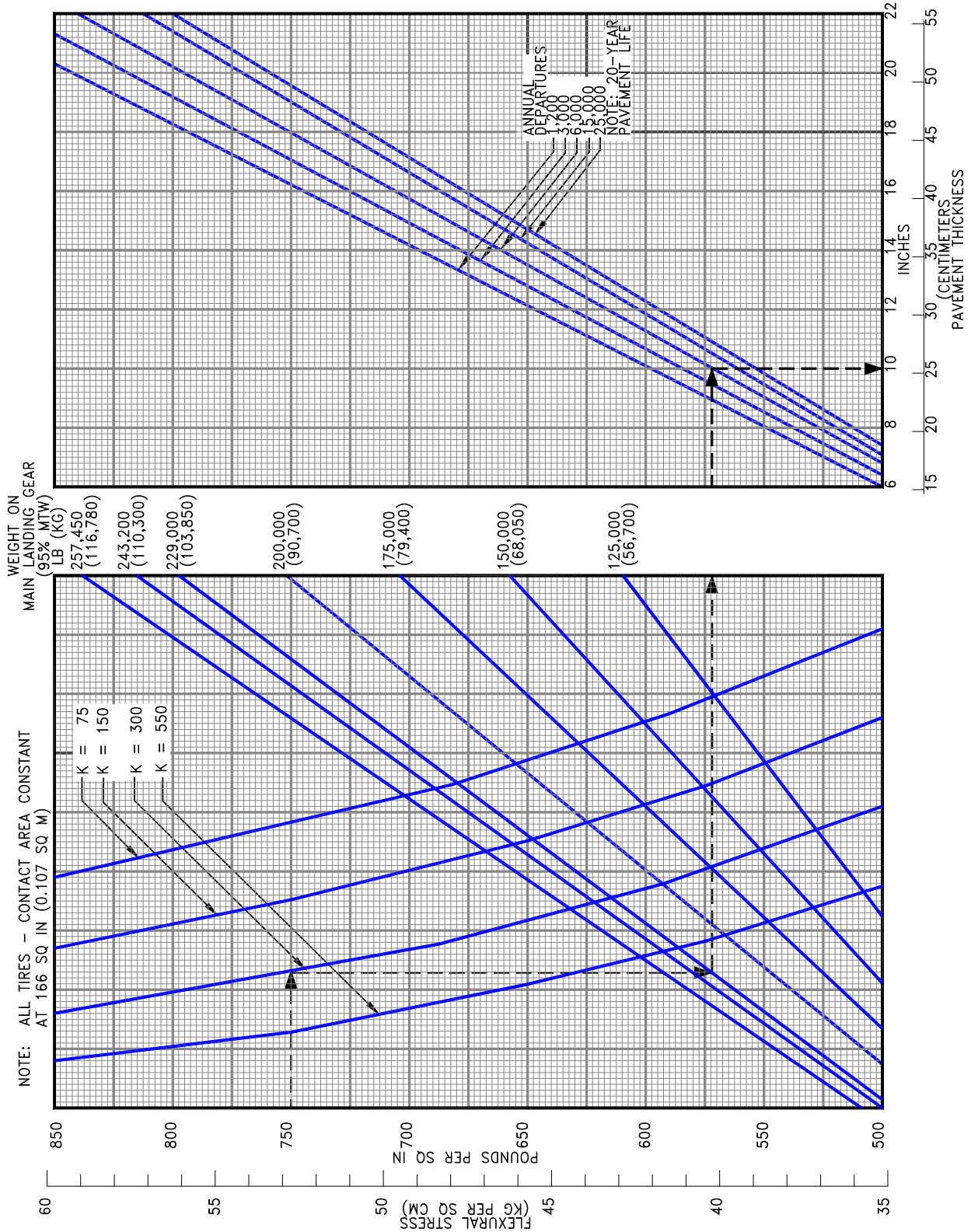
7.8.2 RIGID PAVEMENT REQUIREMENTS - LCN CONVERSION
 MODEL 757-200, -200PF, 300

D6-58327

7.9 Rigid Pavement Requirements - FAA Design Method

The following rigid-pavement design chart presents data on seven incremental main gear weights at the minimum tire pressure required at the maximum design taxi weight.

In the example shown, the pavement flexural strength is shown at 750 psi, the subgrade strength is shown at $k = 300$, and the annual departure level is 6,000. For these conditions, the required rigid pavement thickness for an airplane with a main gear loading of 229,000 pounds is 10 inches.



7.9 RIGID PAVEMENT REQUIREMENTS - FAA METHOD
 MODEL 757-200, -200PF, 300

D6-58327

JUNE 1999 135

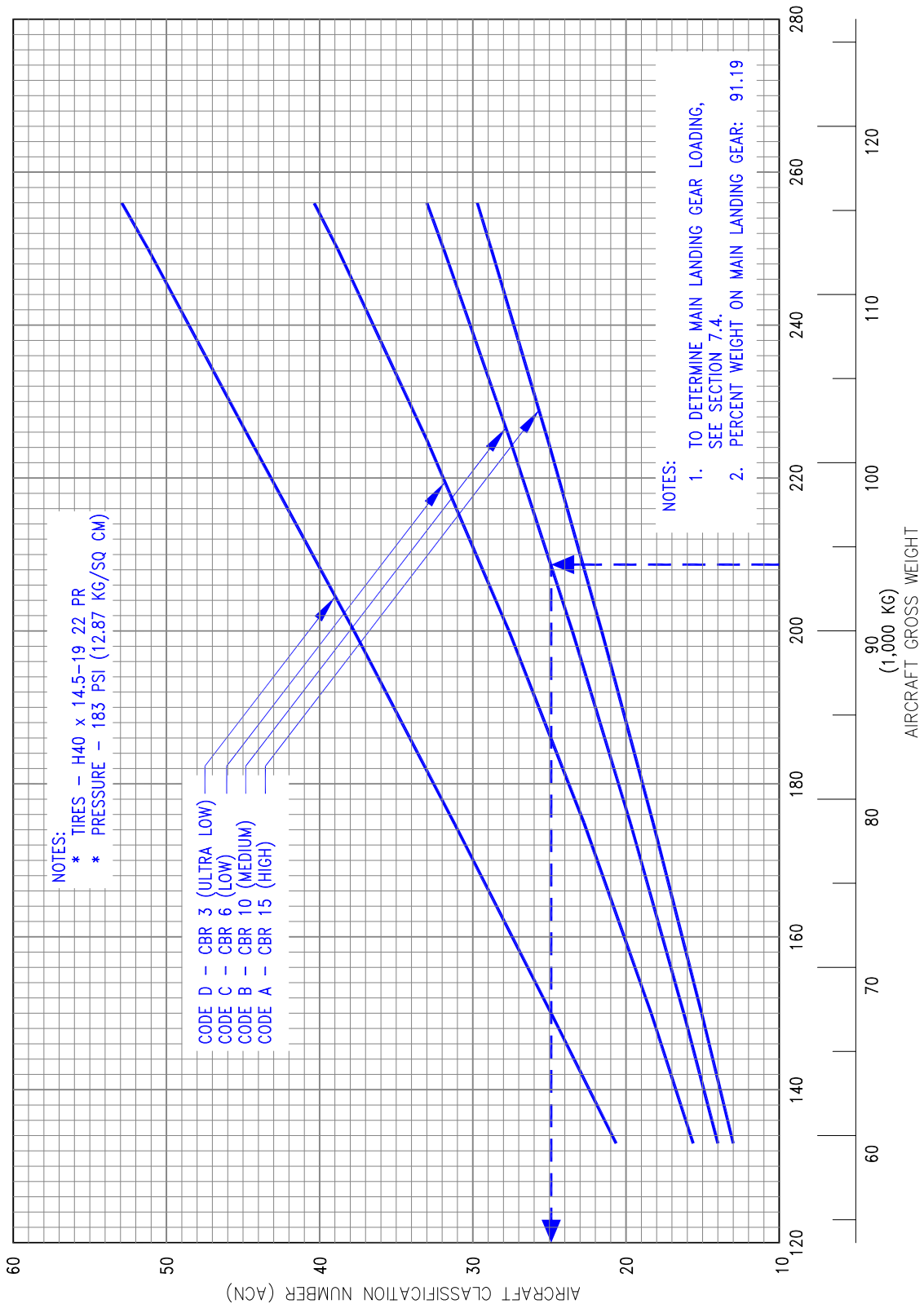
7.10 ACN/PCN Reporting System: Flexible and Rigid Pavements

To determine the ACN of an aircraft on flexible or rigid pavement, both the aircraft gross weight and the subgrade strength category must be known.

In the chart in Section 7.10.1, for 757-200 aircraft with gross weight of 208,500 lb and medium subgrade strength (Code B), the flexible pavement ACN is 24.8. In Section 7.10.3, for the same aircraft with gross weight of 190,000 lb and medium subgrade strength (Code B), the rigid pavement ACN is 26.5.

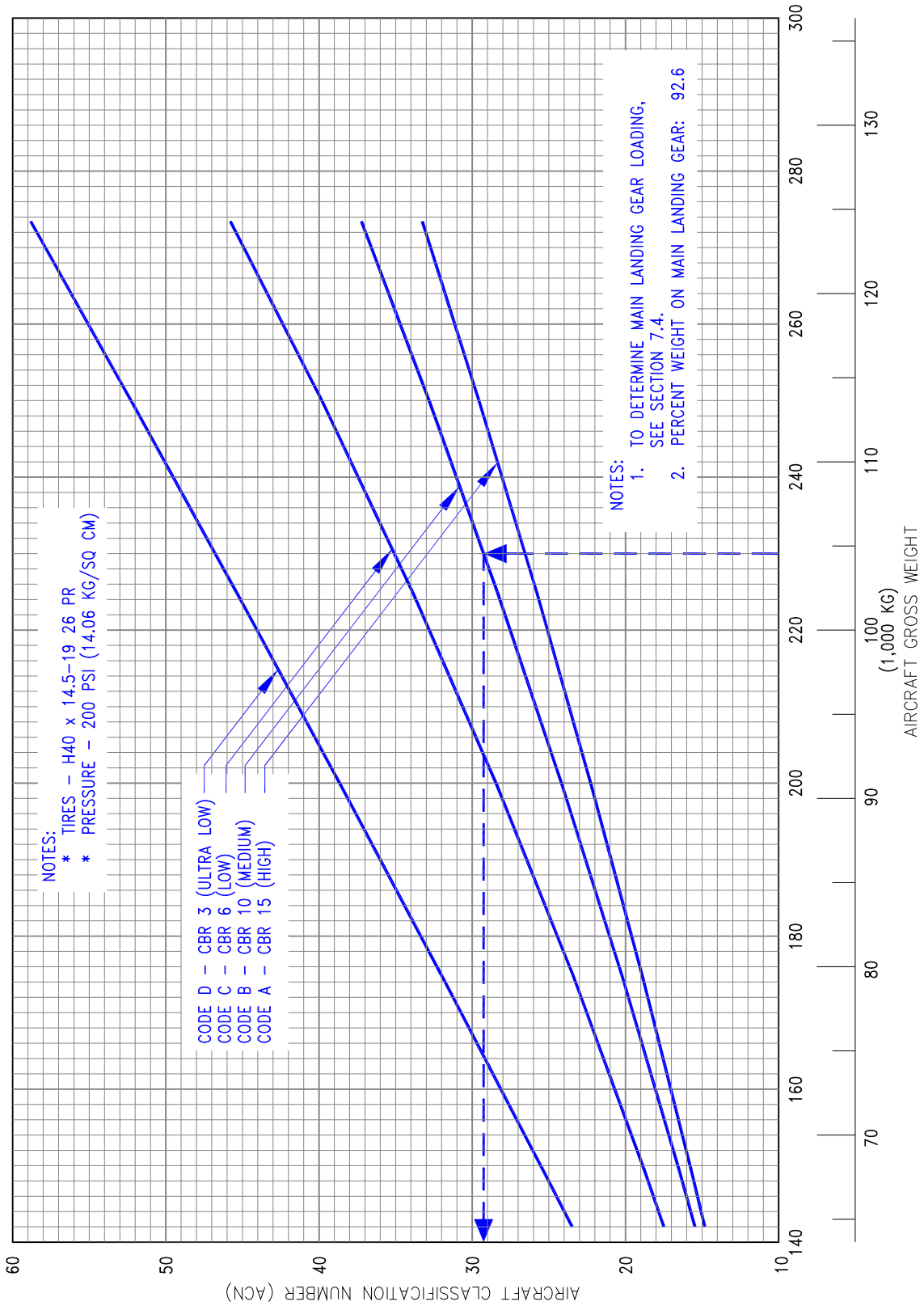
In the chart in Section 7.10.2, for 757-300 aircraft with gross weight of 230,000 lb and medium subgrade strength (Code B), the flexible pavement ACN is 29. In Section 7.10.4, for the same aircraft and gross weight and medium subgrade strength (Code B), the rigid pavement ACN is 33.2.

Note: An aircraft with an ACN equal to or less than the reported PCN can operate on that pavement subject to any limitations on the tire pressure. (Ref.: ICAO Annex 14 Aerodrome, First Edition, July 1990.)



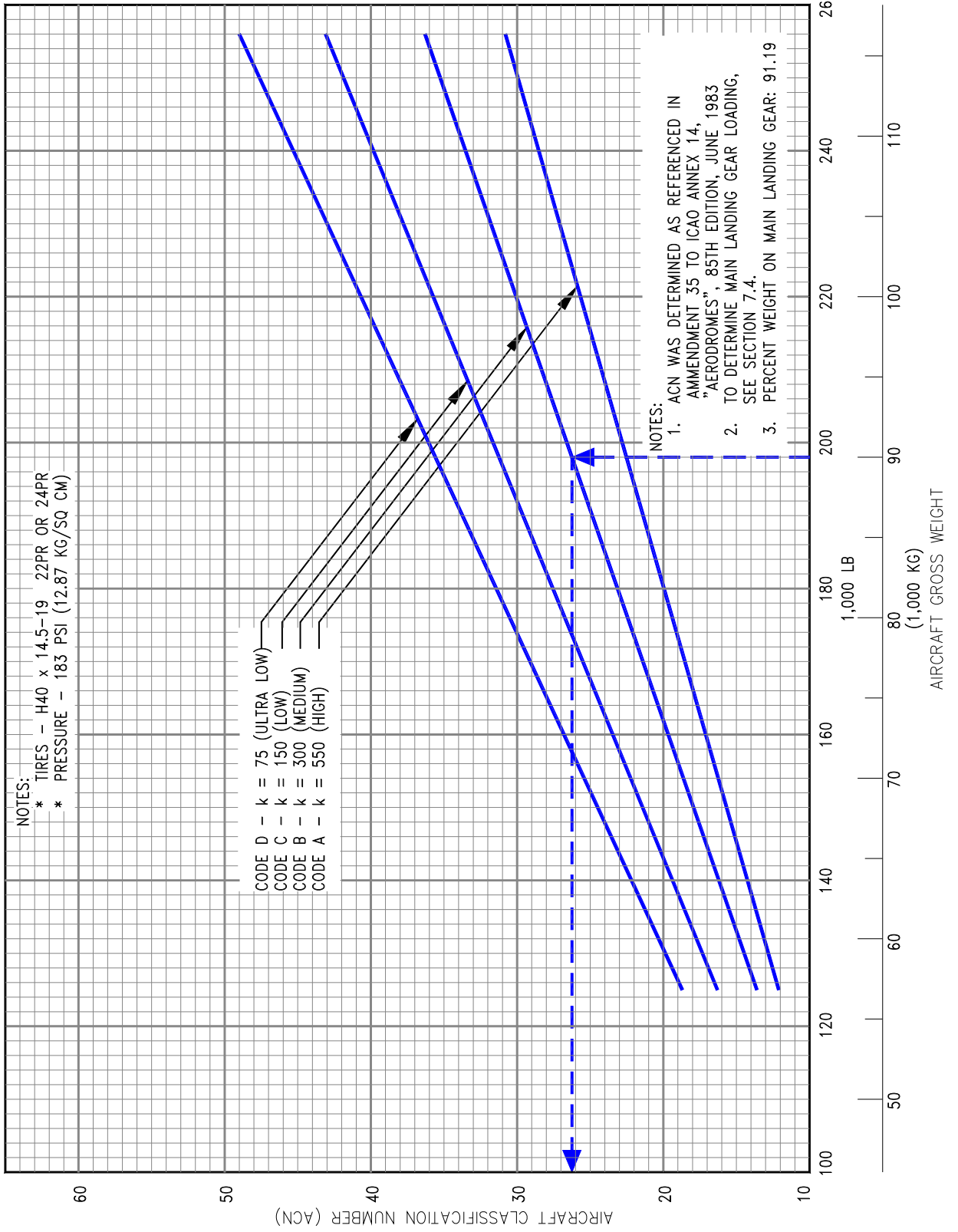
7.10.1. AIRCRAFT CLASSIFICATION NUMBER - FLEXIBLE PAVEMENT
 MODEL 757-200, -200PF

D6-58327



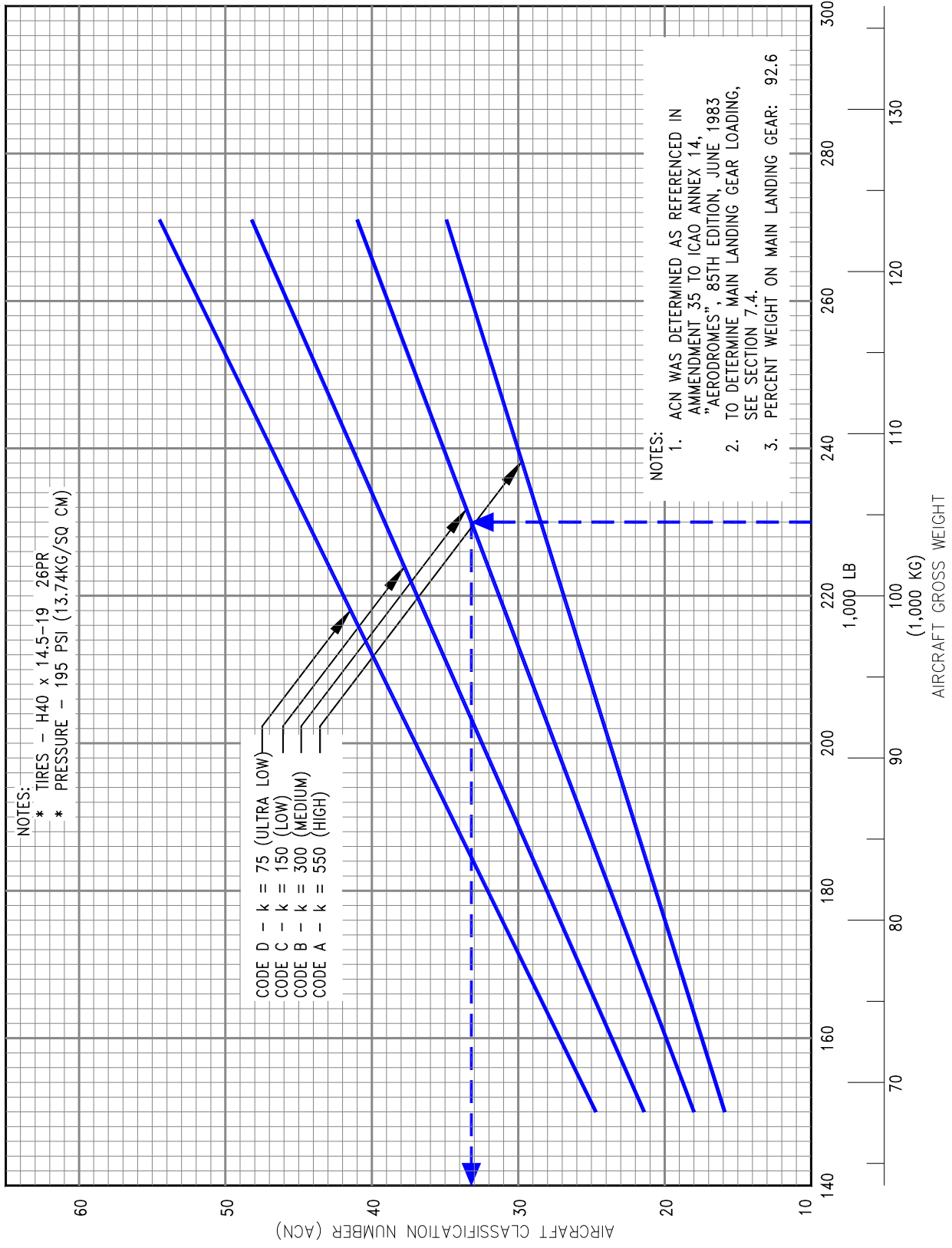
7.10.2. AIRCRAFT CLASSIFICATION NUMBER - FLEXIBLE PAVEMENT
 MODEL 757-300

D6-58327



7.10.3. AIRCRAFT CLASSIFICATION NUMBER - RIGID PAVEMENT
 MODEL 757-200, -200PF

D6-58327



7.10.4. AIRCRAFT CLASSIFICATION NUMBER - RIGID PAVEMENT
 MODEL 757-300

D6-58327

8.0 FUTURE 757 DERIVATIVE AIRPLANES

8.0 FUTURE 757 DERIVATIVE AIRPLANES

Several derivatives are being studied to provide additional capabilities of the 757 family of airplanes. Future growth versions could require additional passenger or cargo capacity or increased range or both. Whether these growth versions could be built would depend entirely on airline requirements. In any event, impact on airport facilities will be a consideration in the configuration and design.

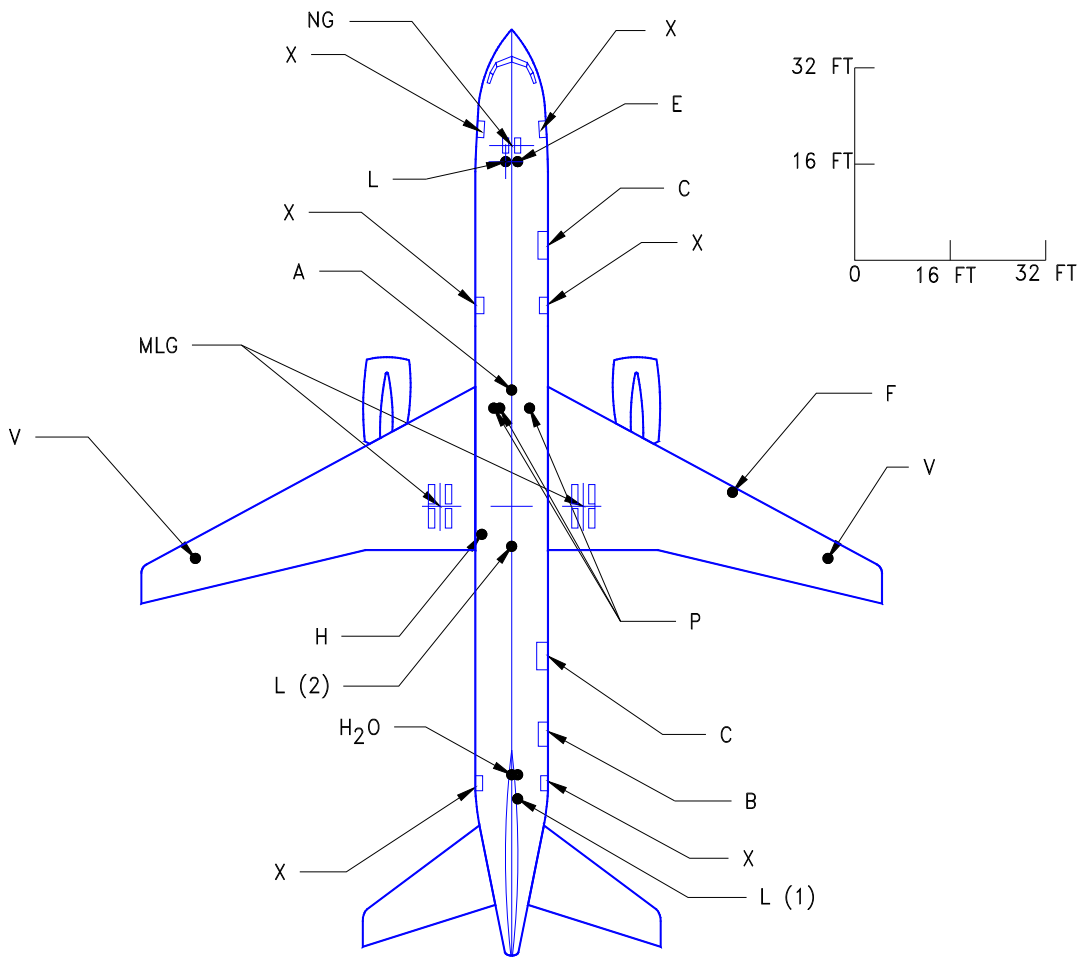
9.0 SCALED 757 DRAWINGS

9.1- 9.5 Scaled Drawings , 757-200

9.6 - 9.10 Scaled Drawings, 757-200PF

9.11 - 9.15 Scaled Drawings, 757-300

THIS PAGE INTENTIONALLY LEFT BLANK



LEGEND

- A AIR CONDITIONING
- B BULK CARGO DOOR (OPTIONAL)
- C CARGO DOOR
- E ELECTRICAL
- F FUEL
- H HYDRAULIC
- H₂O POTABLE WATER
- L LAVATORY
- MLG MAIN LANDING GEAR
- NG NOSE GEAR
- P PNEUMATIC
- V FUEL VENT
- X PASSENGER DOOR

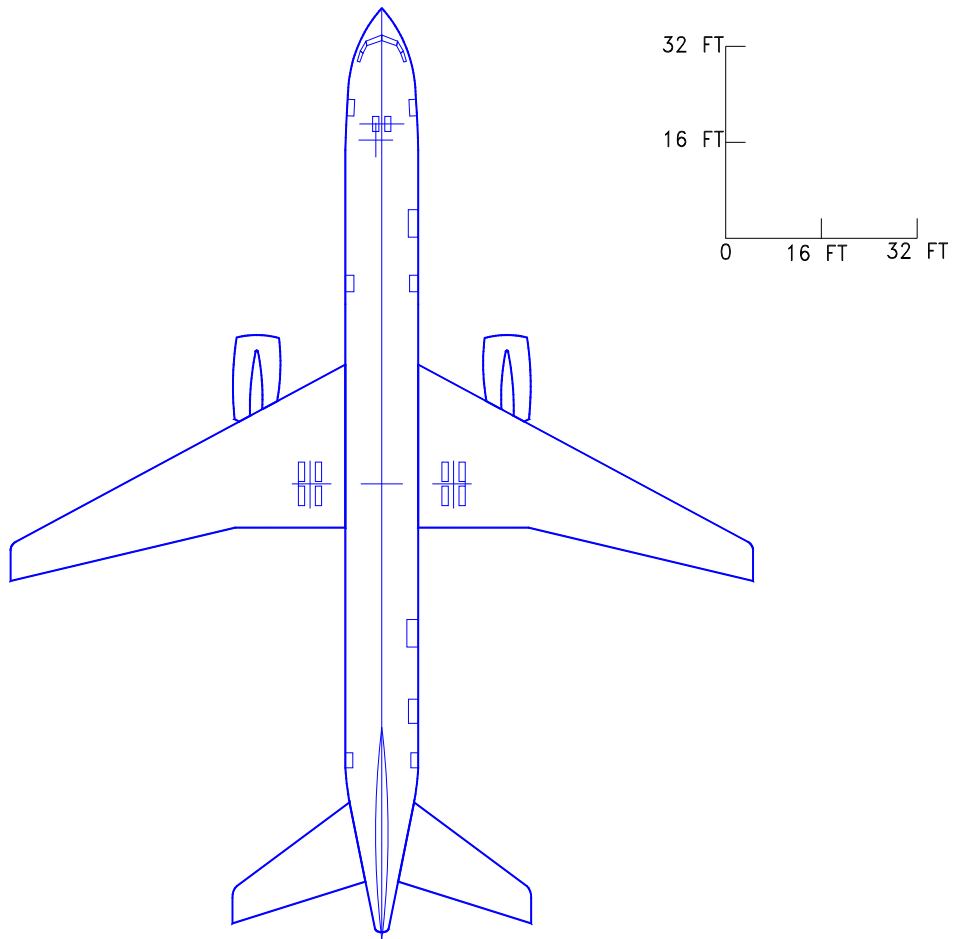
NOTES:

- (1) OVERWING-EXIT AIRPLANE
- (2) FOUR-DOOR AIRPLANE

NOTE: WHEN PRINTING THIS DRAWING, MAKE SURE TO ADJUST FOR PROPER SCALING

9.1.1 SCALED DRAWING - 1 IN. = 32 FT
 MODEL 757-200

D6-58327



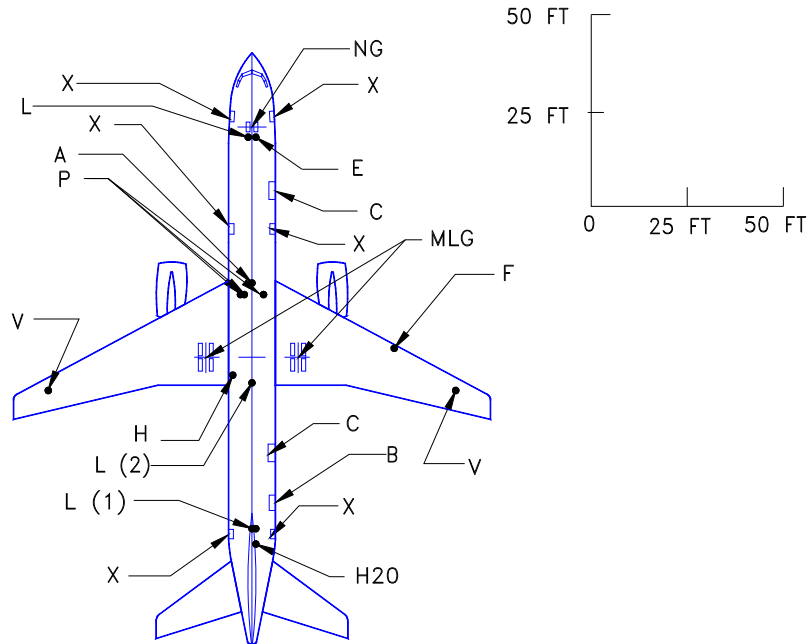
NOTE: WHEN PRINTING THIS DRAWING, MAKE SURE TO ADJUST FOR PROPER SCALING

9.1.2 SCALED DRAWING - 1 IN. = 32 FT
MODEL 757-200

D6-58327

146 JUNE 1999

Not Subject to EAR or ITAR.
Copyright © 2023 Boeing. All Rights Reserved.



LEGEND

- A AIR CONDITIONING
- B BULK CARGO DOOR (OPTIONAL)
- C CARGO DOOR
- E ELECTRICAL
- F FUEL
- H HYDRAULIC
- H2O POTABLE WATER
- L LAVATORY
- MLG MAIN LANDING GEAR
- NG NOSE GEAR
- P PNEUMATIC
- V FUEL VENT
- X PASSENGER DOOR

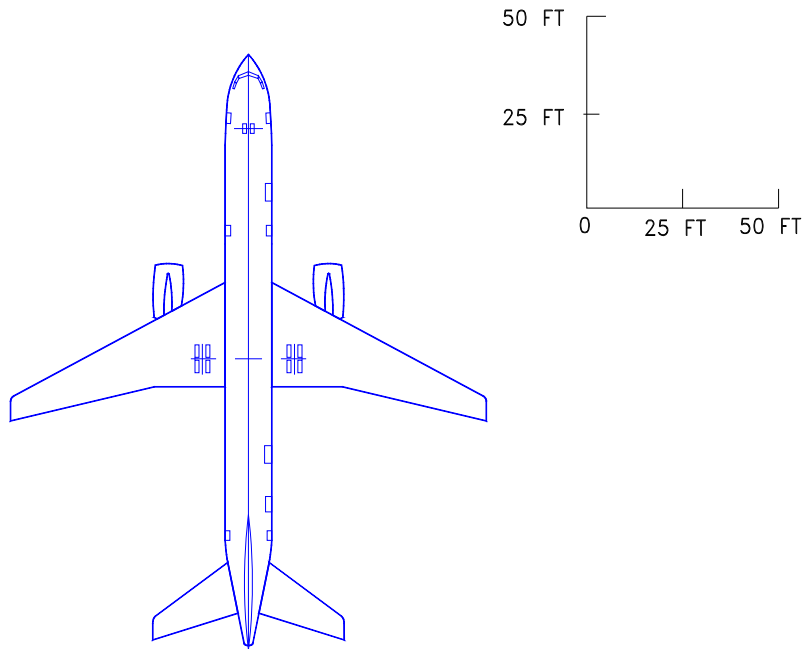
NOTES:

- (1) OVERWING-EXIT AIRPLANE
- (2) FOUR-DOOR AIRPLANE

NOTE: WHEN PRINTING THIS DRAWING, MAKE SURE TO ADJUST FOR PROPER SCALING

9.2.1 SCALED DRAWING - 1 IN. = 50 FT
MODEL 757-200

D6-58327



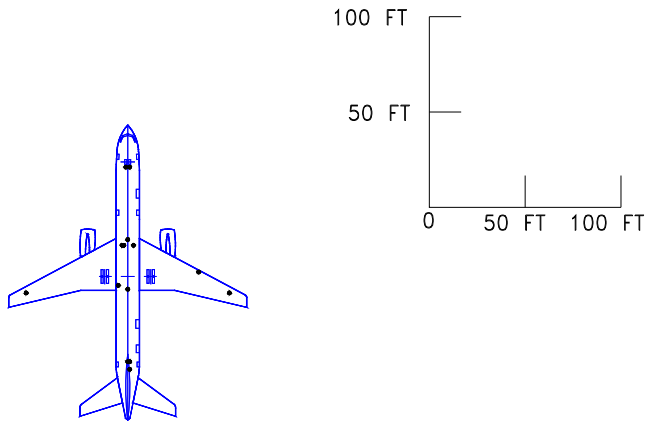
NOTE: WHEN PRINTING THIS DRAWING, MAKE SURE TO ADJUST FOR PROPER SCALING

9.2.2 SCALED DRAWING - 1 IN. = 50 FT
MODEL 757-200

D6-58327

148 JUNE 1999

Not Subject to EAR or ITAR.
Copyright © 2023 Boeing. All Rights Reserved.



LEGEND

- A AIR CONDITIONING
- B BULK CARGO DOOR (OPTIONAL)
- C CARGO DOOR
- E ELECTRICAL
- F FUEL
- H HYDRAULIC
- H2O POTABLE WATER
- L LAVATORY
- MLG MAIN LANDING GEAR
- NG NOSE GEAR
- P PNEUMATIC
- V FUEL VENT
- X PASSENGER DOOR

NOTE:

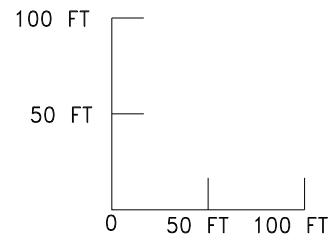
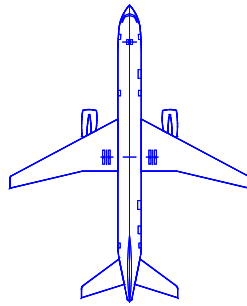
SEE SECTION 9.1.1 FOR IDENTIFICATION OF SERVICE POINT LOCATIONS.

NOTE: WHEN PRINTING THIS DRAWING, MAKE SURE TO ADJUST FOR PROPER SCALING

9.3.1 SCALED DRAWING - 1 IN. = 100 FT
MODEL 757-200

D6-58327

JUNE 1999 149



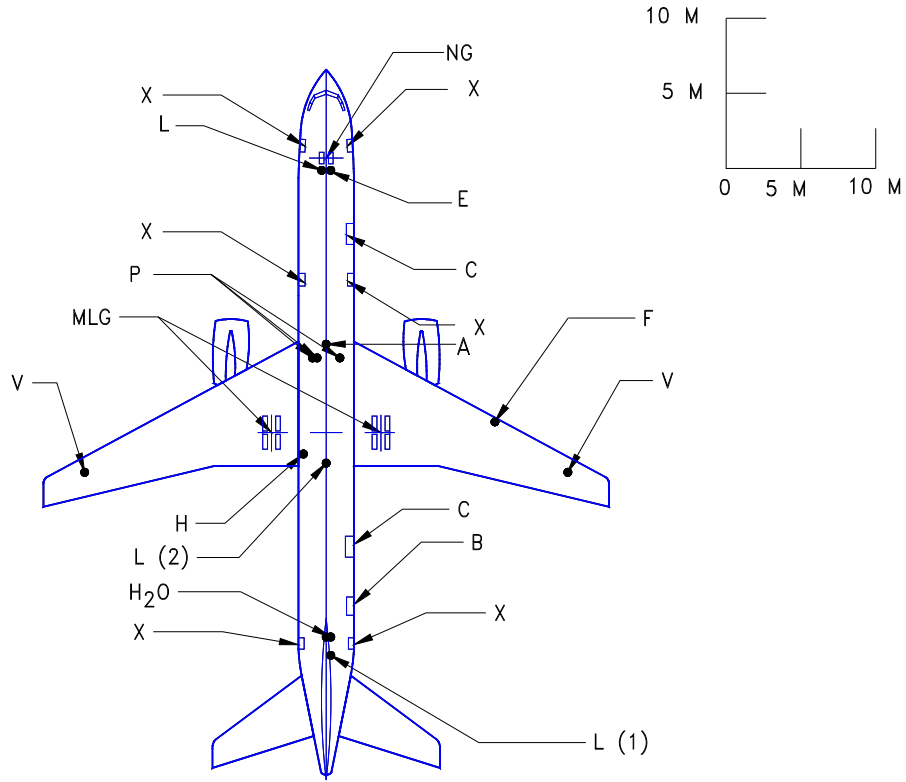
NOTE: WHEN PRINTING THIS DRAWING, MAKE SURE TO ADJUST FOR PROPER SCALING

9.3.2 SCALED DRAWING - 1 IN. = 100 FT
MODEL 757-200

D6-58327

150 JUNE 1999

Not Subject to EAR or ITAR.
Copyright © 2023 Boeing. All Rights Reserved.



LEGEND

- A AIR CONDITIONING
- B BULK CARGO DOOR (OPTIONAL)
- C CARGO DOOR
- E ELECTRICAL
- F FUEL
- H HYDRAULIC
- H2O POTABLE WATER
- L LAVATORY
- MLG MAIN LANDING GEAR
- NG NOSE GEAR
- P PNEUMATIC
- V FUEL VENT
- X PASSENGER DOOR

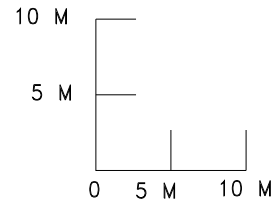
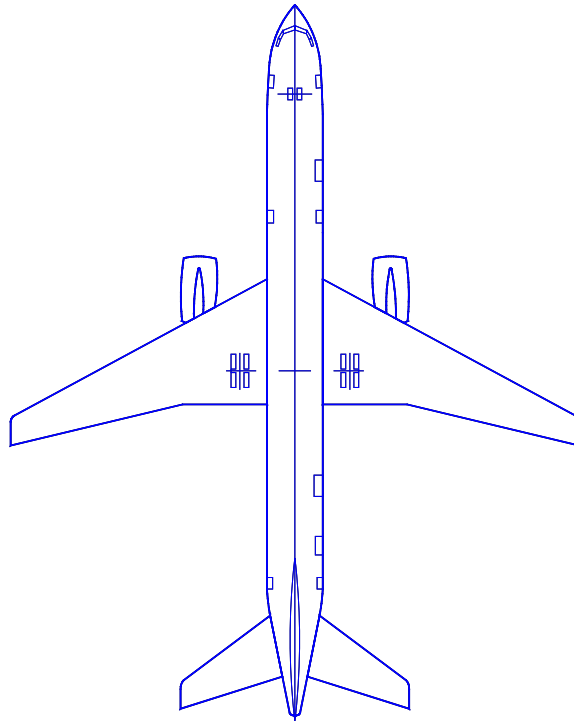
NOTES:

- (1) OVERWING-EXIT AIRPLANE
- (2) FOUR-DOOR AIRPLANE

NOTE: WHEN PRINTING THIS DRAWING, MAKE SURE TO ADJUST FOR PROPER SCALING

9.4.1 SCALED DRAWING - 1:500
 MODEL 757-200

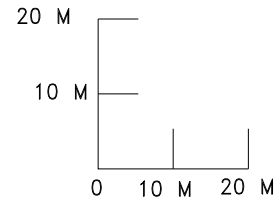
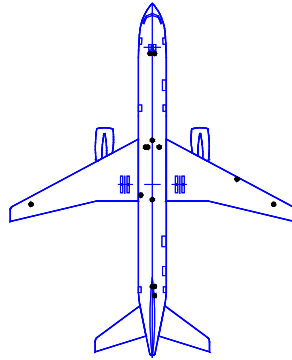
D6-58327



NOTE: WHEN PRINTING THIS DRAWING, MAKE SURE TO ADJUST FOR PROPER SCALING

9.4.2 SCALED DRAWING - 1:500
MODEL 757-200

D6-58327



LEGEND

- A AIR CONDITIONING
- B BULK CARGO DOOR (OPTIONAL)
- C CARGO DOOR
- E ELECTRICAL
- F FUEL
- H HYDRAULIC
- H2O POTABLE WATER
- L LAVATORY
- MLG MAIN LANDING GEAR
- NG NOSE GEAR
- P PNEUMATIC
- V FUEL VENT
- X PASSENGER DOOR

NOTE:

SEE SECTION 9.1.1 FOR IDENTIFICATION OF SERVICE POINT LOCATIONS

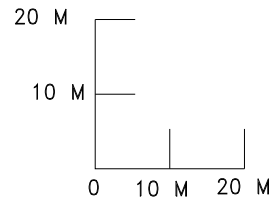
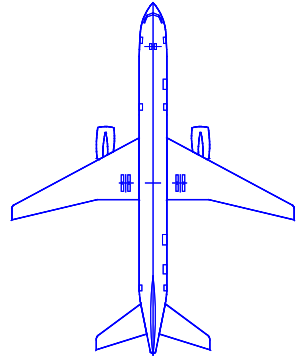
NOTE: WHEN PRINTING THIS DRAWING, MAKE SURE TO ADJUST FOR PROPER SCALING

9.5.1 SCALED DRAWING - 1:1000

MODEL 757-200

D6-58327

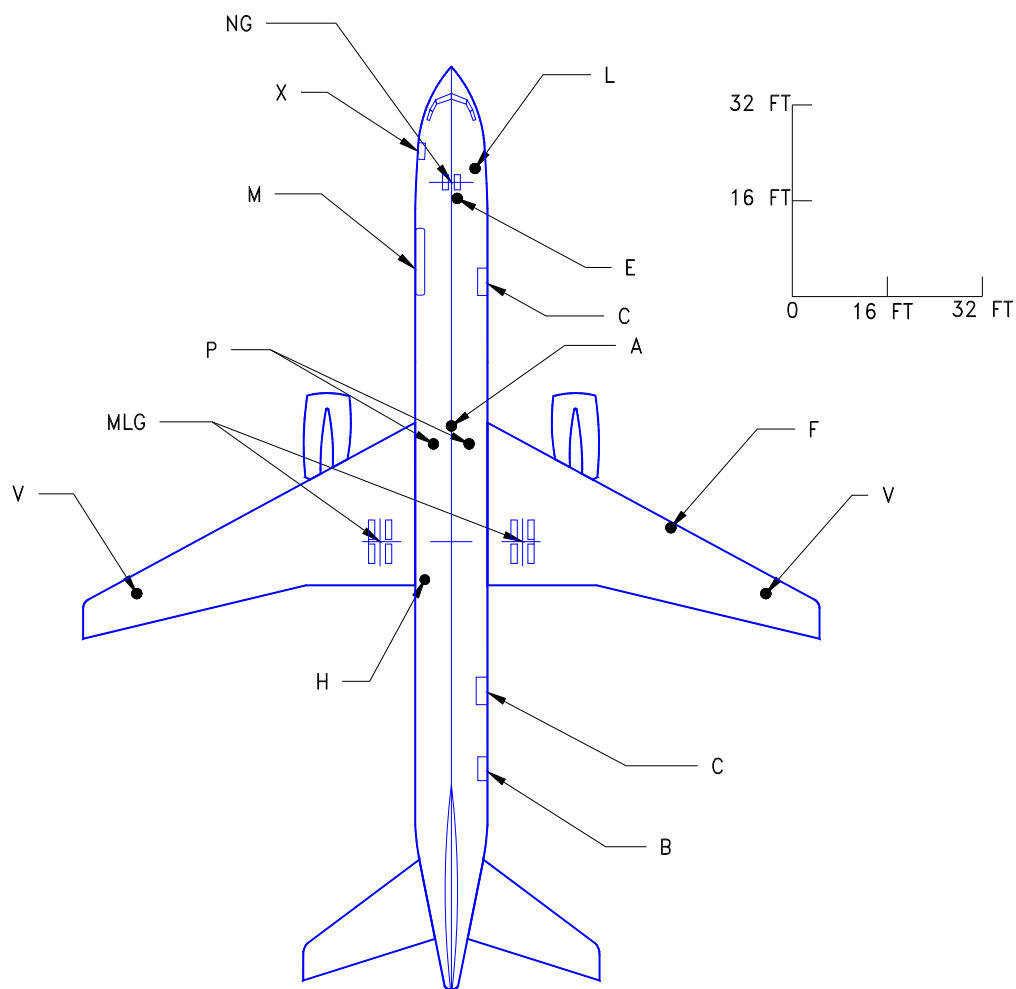
JUNE 1999 153



NOTE: WHEN PRINTING THIS DRAWING, MAKE SURE TO ADJUST FOR PROPER SCALING

9.5.2 SCALED DRAWING - 1:1000
MODEL 757-200

D6-58327

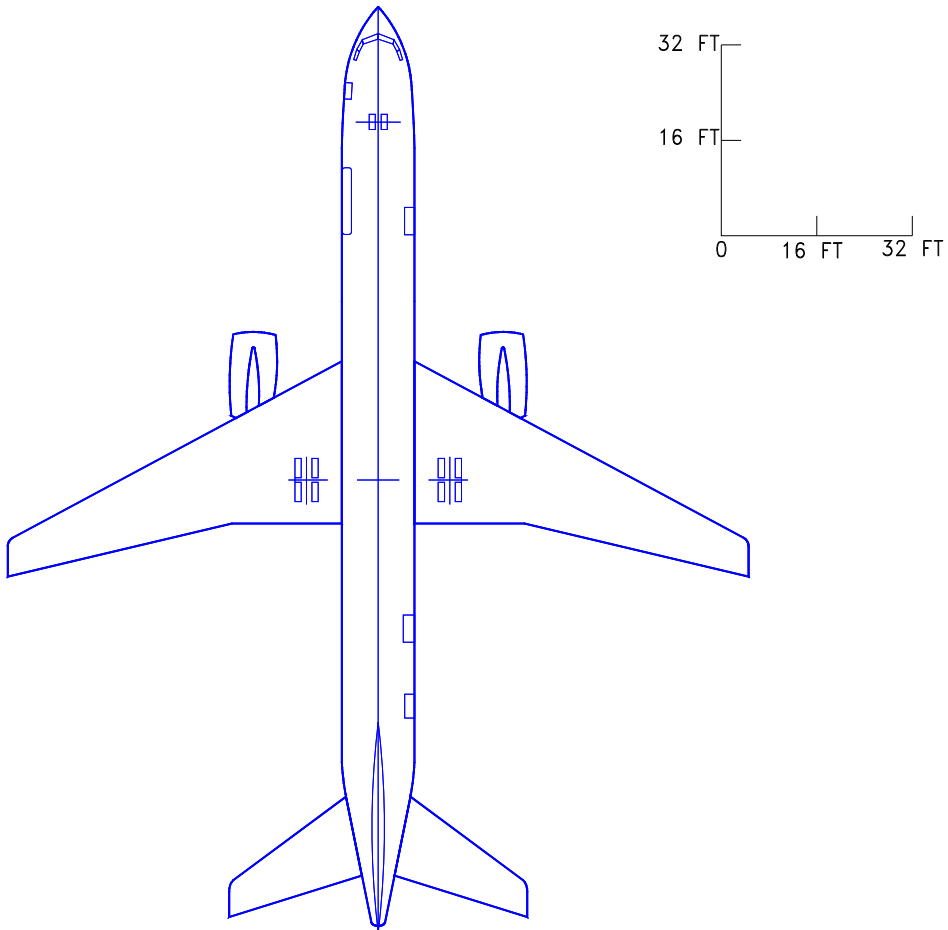


- LEGEND
- A AIR CONDITIONING
 - B BULK CARGO DOOR (OPTIONAL)
 - C CARGO DOOR
 - E ELECTRICAL
 - F FUEL
 - H HYDRAULIC
 - L LAVATORY
 - MLG MAIN LANDING GEAR
 - NG NOSE GEAR
 - P PNEUMATIC
 - V FUEL VENT
 - X PASSENGER DOOR

NOTE: WHEN PRINTING THIS DRAWING, MAKE SURE TO ADJUST FOR PROPER SCALING

9.6.1 SCALED DRAWING - 1 IN. = 32 FT
 MODEL 757-200PF

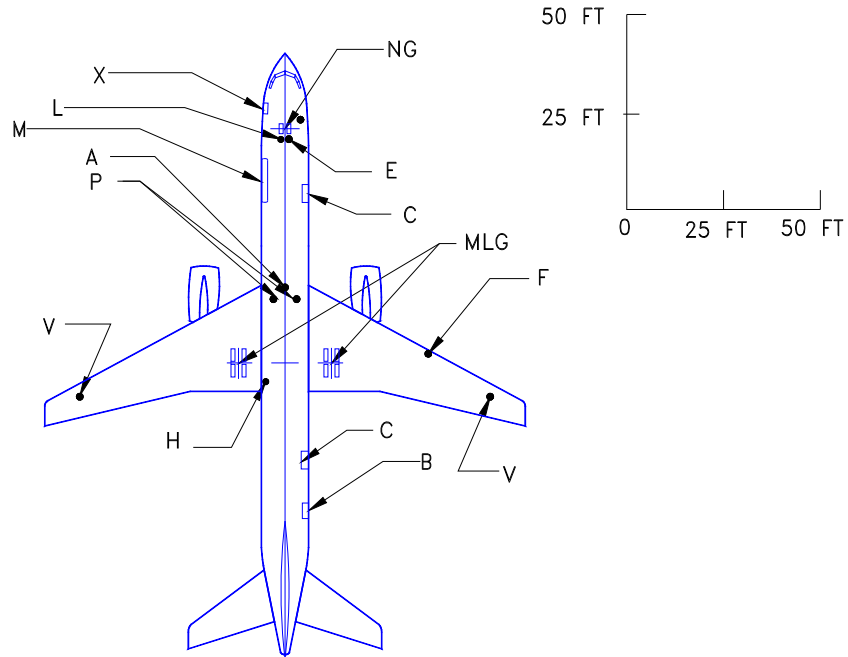
D6-58327



NOTE: WHEN PRINTING THIS DRAWING, MAKE SURE TO ADJUST FOR PROPER SCALING

9.6.2 SCALED DRAWING - 1 IN. = 32 FT
MODEL 757-200PF

D6-58327



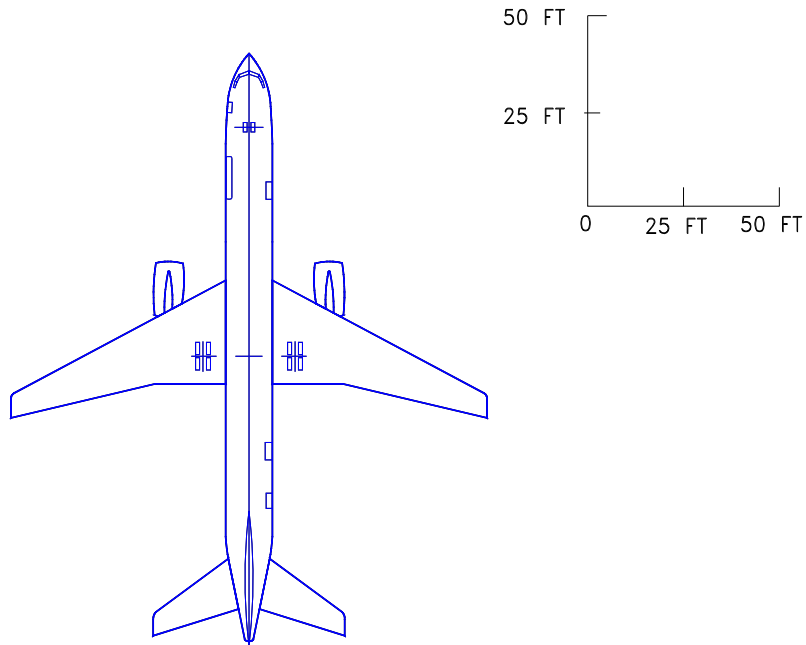
LEGEND

- A AIR CONDITIONING
- B BULK CARGO DOOR (OPTIONAL)
- C CARGO DOOR
- E ELECTRICAL
- F FUEL
- H HYDRAULIC
- L LAVATORY
- MLG MAIN LANDING GEAR
- NG NOSE GEAR
- P PNEUMATIC
- V FUEL VENT
- X PASSENGER DOOR

NOTE: WHEN PRINTING THIS DRAWING, MAKE SURE TO ADJUST FOR PROPER SCALING

9.7.1 SCALED DRAWING - 1 IN. = 50 FT
MODEL 757-200PF

D6-58327



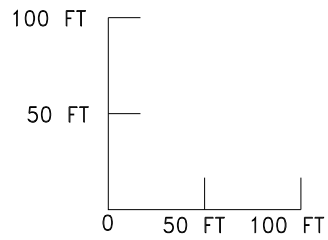
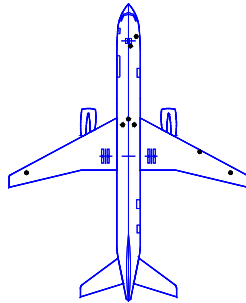
NOTE: WHEN PRINTING THIS DRAWING, MAKE SURE TO ADJUST FOR PROPER SCALING

9.7.2 SCALED DRAWING - 1 IN. = 50 FT
MODEL 757-200PF

D6-58327

158 JUNE 1999

Not Subject to EAR or ITAR.
Copyright © 2023 Boeing. All Rights Reserved.



LEGEND

- A AIR CONDITIONING
- B BULK CARGO DOOR (OPTIONAL)
- C CARGO DOOR
- E ELECTRICAL
- F FUEL
- H HYDRAULIC
- L LAVATORY
- MLG MAIN LANDING GEAR
- NG NOSE GEAR
- P PNEUMATIC
- V FUEL VENT
- X PASSENGER DOOR

NOTE:

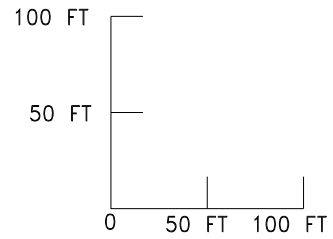
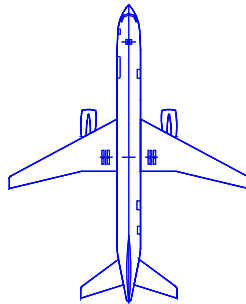
SEE SECTION 9.6.1 FOR IDENTIFICATION OF SERVICE POINT LOCATIONS.

NOTE: WHEN PRINTING THIS DRAWING, MAKE SURE TO ADJUST FOR PROPER SCALING

9.8.1 SCALED DRAWING - 1 IN. = 100 FT
MODEL 757-200PF

D6-58327

JUNE 1999 159



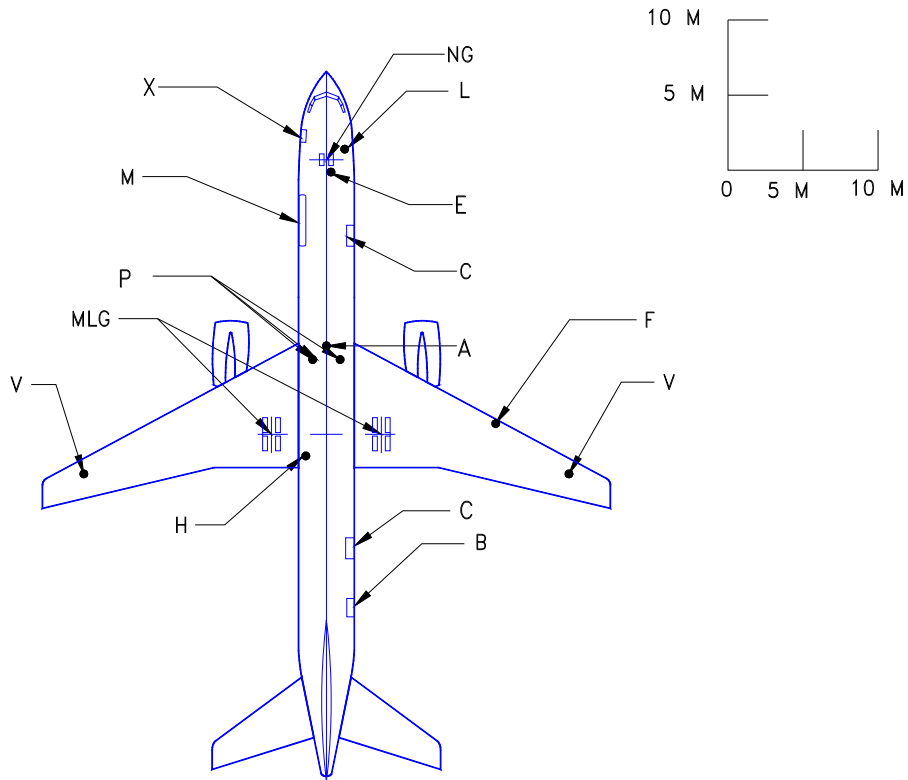
NOTE: WHEN PRINTING THIS DRAWING, MAKE SURE TO ADJUST FOR PROPER SCALING

9.8.2 SCALED DRAWING - 1 IN. = 100 FT
MODEL 757-200PF

D6-58327

160 JUNE 1999

Not Subject to EAR or ITAR.
Copyright © 2023 Boeing. All Rights Reserved.



LEGEND

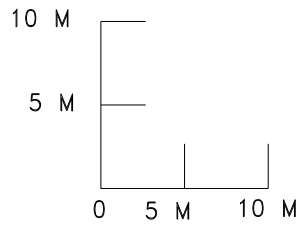
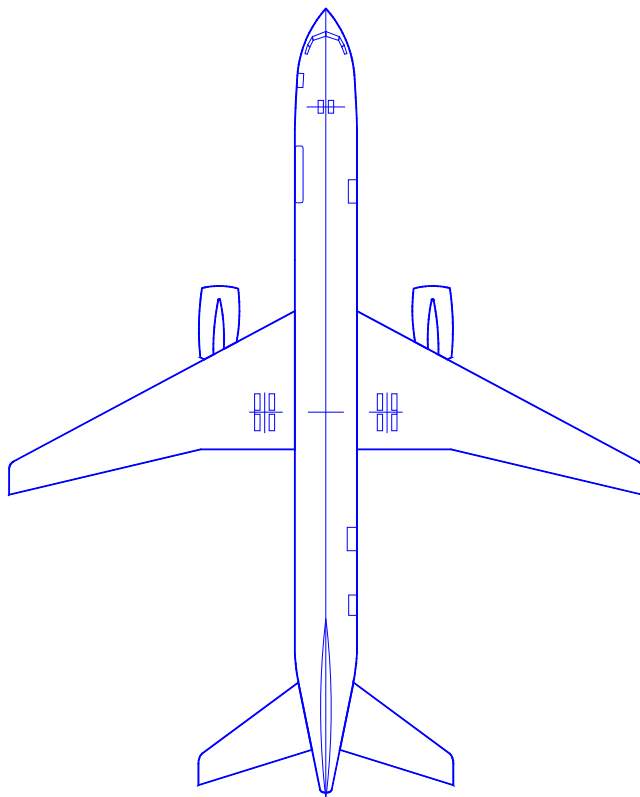
- A AIR CONDITIONING
- B BULK CARGO DOOR (OPTIONAL)
- C CARGO DOOR
- E ELECTRICAL
- F FUEL
- H HYDRAULIC
- L LAVATORY
- MLG MAIN LANDING GEAR
- NG NOSE GEAR
- P PNEUMATIC
- V FUEL VENT
- X PASSENGER DOOR

NOTE: WHEN PRINTING THIS DRAWING, MAKE SURE TO ADJUST FOR PROPER SCALING

9.9.1 SCALED DRAWING - 1:500
MODEL 757-200PF

D6-58327

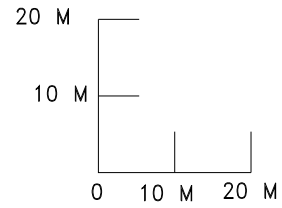
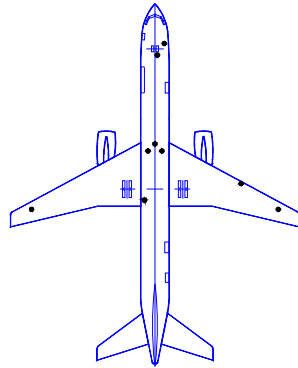
JUNE 1999 161



NOTE: WHEN PRINTING THIS DRAWING, MAKE SURE TO ADJUST FOR PROPER SCALING

9.9.2 SCALED DRAWING - 1:500
MODEL 757-200PF

D6-58327



LEGEND

- A AIR CONDITIONING
- B BULK CARGO DOOR (OPTIONAL)
- C CARGO DOOR
- E ELECTRICAL
- F FUEL
- H HYDRAULIC
- L LAVATORY
- MLG MAIN LANDING GEAR
- NG NOSE GEAR
- P PNEUMATIC
- V FUEL VENT
- X PASSENGER DOOR

NOTE:

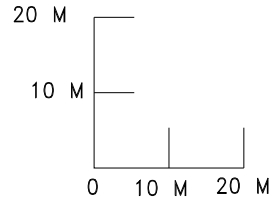
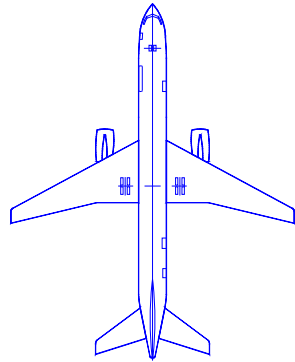
SEE SECTION 9.6.1 FOR IDENTIFICATION OF SERVICE POINT LOCATIONS

NOTE: WHEN PRINTING THIS DRAWING, MAKE SURE TO ADJUST FOR PROPER SCALING

9.10.1 SCALED DRAWING - 1:1000
MODEL 757-200PF

D6-58327

JUNE 1999 163



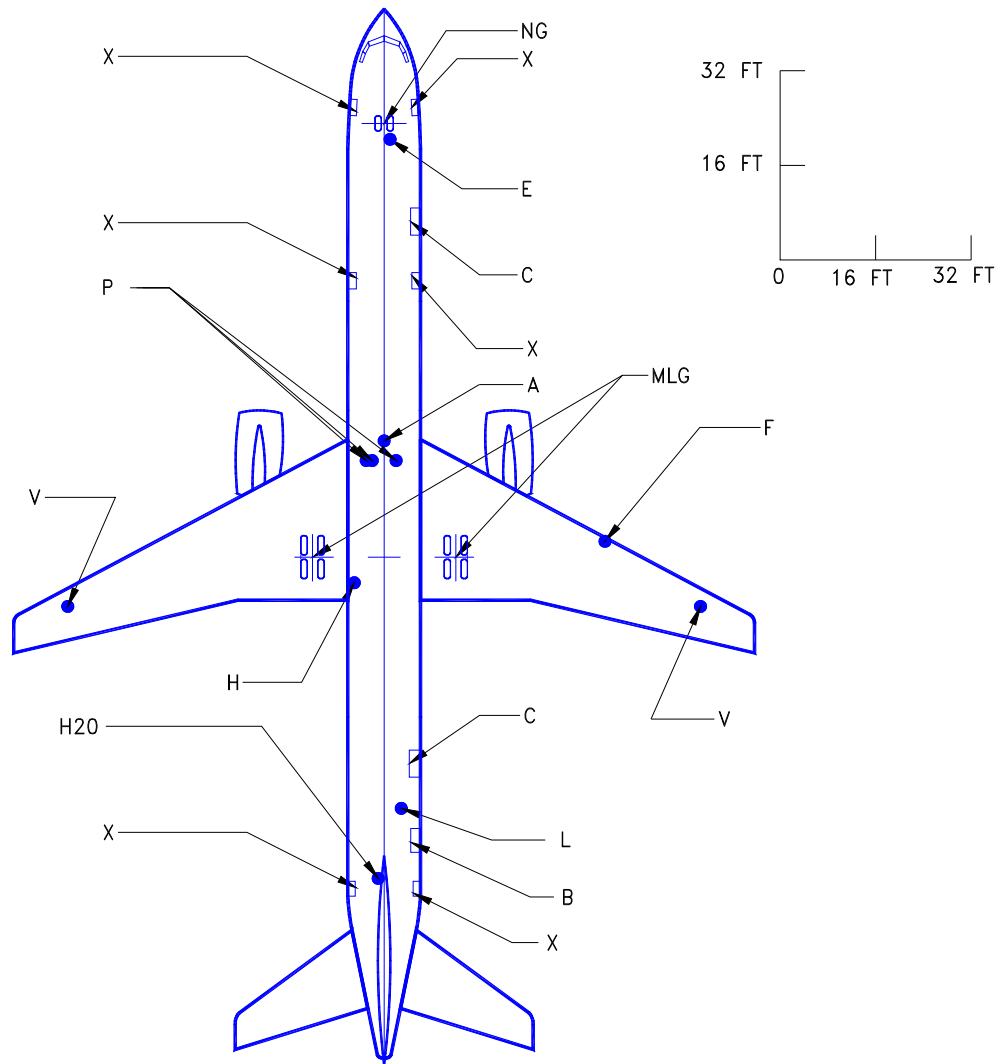
NOTE: WHEN PRINTING THIS DRAWING, MAKE SURE TO ADJUST FOR PROPER SCALING

9.10.2 SCALED DRAWING - 1:1000
MODEL 757-200PF

D6-58327

164 JUNE 1999

Not Subject to EAR or ITAR.
Copyright © 2023 Boeing. All Rights Reserved.



LEGEND

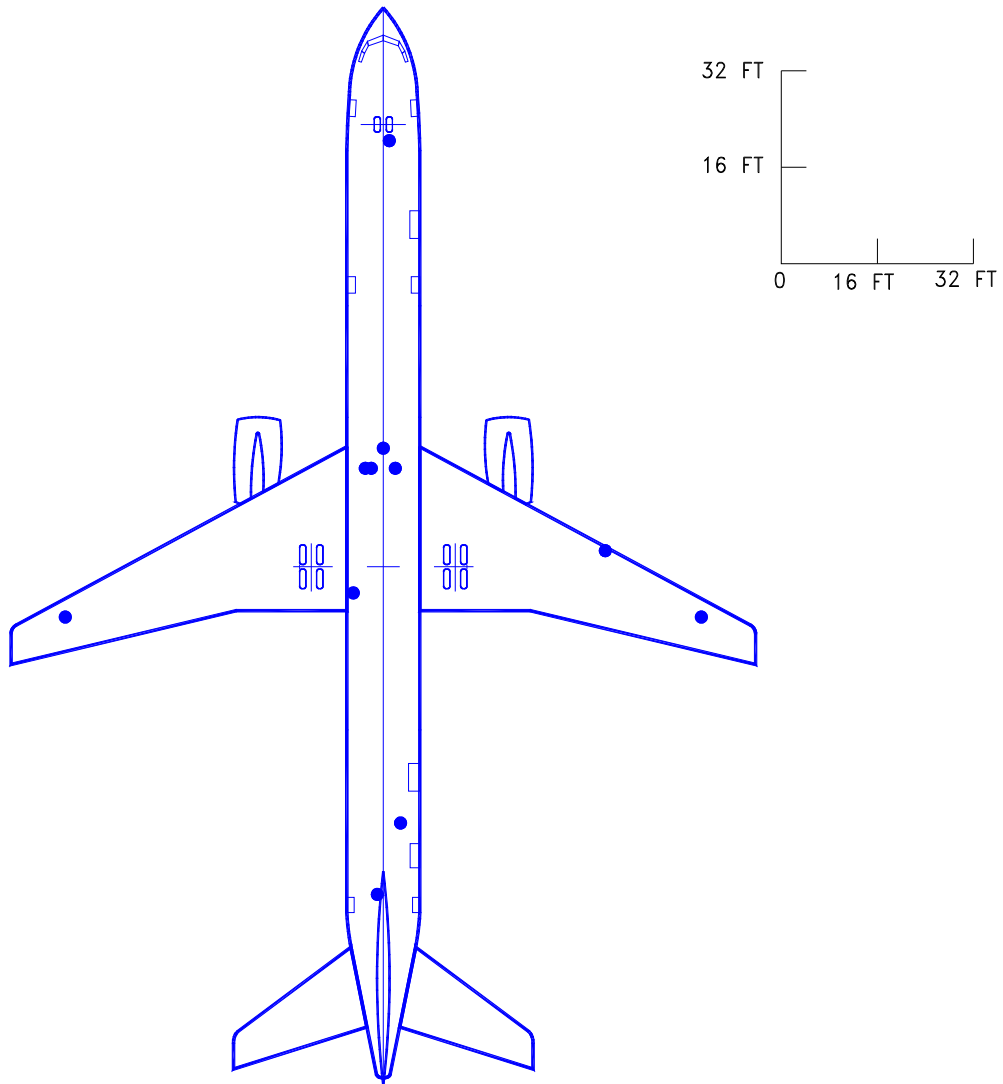
- A AIR CONDITIONING
- B BULK CARGO DOOR
- C CARGO DOOR
- E ELECTRICAL
- F FUEL
- H HYDRAULIC
- H2O POTABLE WATER
- L LAVATORY
- MLG MAIN LANDING GEAR
- NG NOSE GEAR
- P PNEUMATIC
- V FUEL VENT
- X PASSENGER DOOR

NOTE: WHEN PRINTING THIS DRAWING, MAKE SURE TO ADJUST FOR PROPER SCALING

9.11.1 SCALED DRAWING - 1 IN. = 32 FT
 MODEL 757-300

D6-58327

JUNE 1999 165



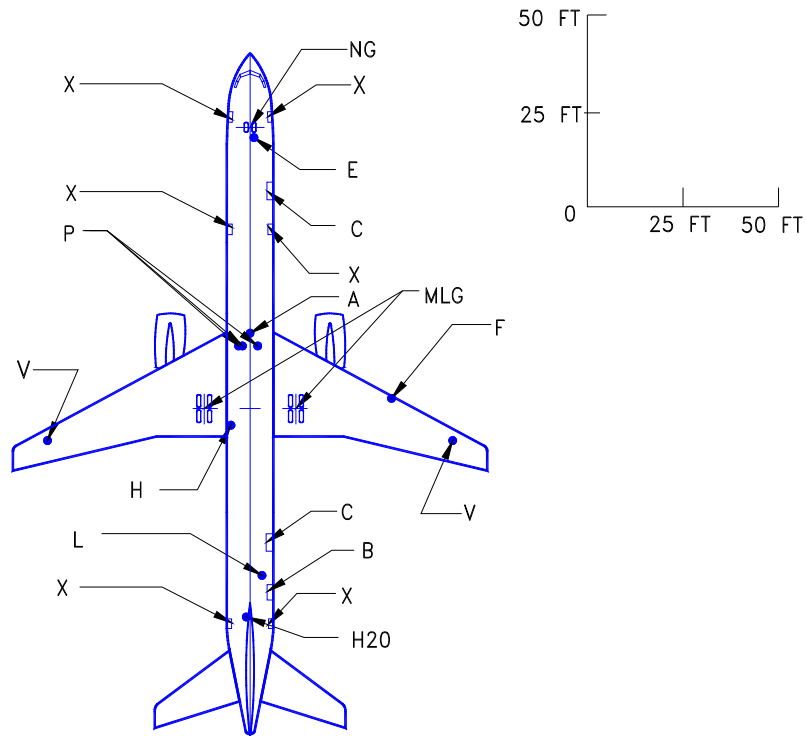
NOTE: WHEN PRINTING THIS DRAWING, MAKE SURE TO ADJUST FOR PROPER SCALING

9.11.2 SCALED DRAWING - 1 IN. = 32 FT
MODEL 757-300

D6-58327

166 JUNE 1999

Not Subject to EAR or ITAR.
Copyright © 2023 Boeing. All Rights Reserved.



LEGEND

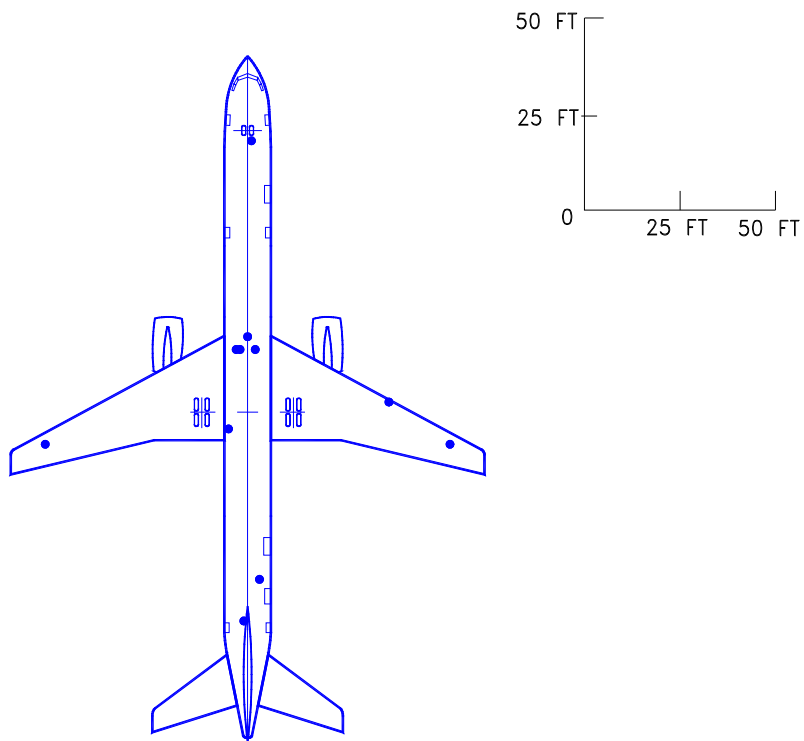
- A AIR CONDITIONING
- B BULK CARGO DOOR
- C CARGO DOOR
- E ELECTRICAL
- F FUEL
- H HYDRAULIC
- H2O POTABLE WATER
- L LAVATORY
- MLG MAIN LANDING GEAR
- NG NOSE GEAR
- P PNEUMATIC
- V FUEL VENT
- X PASSENGER DOOR

NOTE: WHEN PRINTING THIS DRAWING, MAKE SURE TO ADJUST FOR PROPER SCALING

9.12.1 SCALED DRAWING - 1 IN. = 50 FT
 MODEL 757-300

D6-58327

JUNE 1999 167



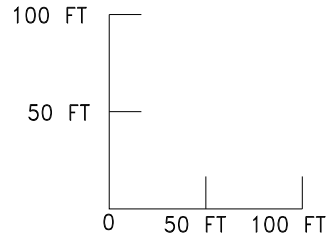
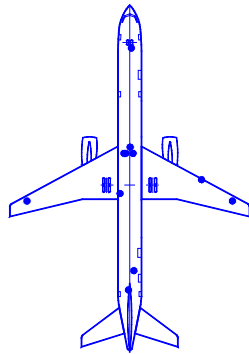
NOTE: WHEN PRINTING THIS DRAWING, MAKE SURE TO ADJUST FOR PROPER SCALING

9.12.2 SCALED DRAWING - 1 IN. = 50 FT
MODEL 757-300

D6-58327

168 JUNE 1999

Not Subject to EAR or ITAR.
Copyright © 2023 Boeing. All Rights Reserved.



LEGEND

- A AIR CONDITIONING
- B BULK CARGO DOOR
- C CARGO DOOR
- E ELECTRICAL
- F FUEL
- H HYDRAULIC
- H2O POTABLE WATER
- L LAVATORY
- MLG MAIN LANDING GEAR
- NG NOSE GEAR
- P PNEUMATIC
- V FUEL VENT
- X PASSENGER DOOR

NOTE:

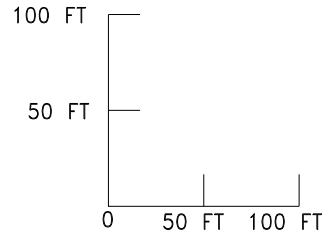
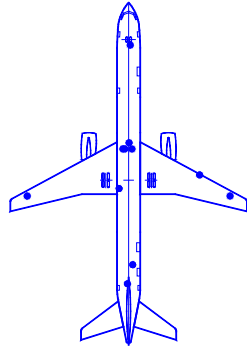
SEE SECTION 9.11.1 FOR IDENTIFICATION OF SERVICE POINT LOCATIONS

NOTE: WHEN PRINTING THIS DRAWING, MAKE SURE TO ADJUST FOR PROPER SCALING

9.13.1 SCALED DRAWING - 1 IN = 100 FT
MODEL 757-300

D6-58327

JUNE 1999 169



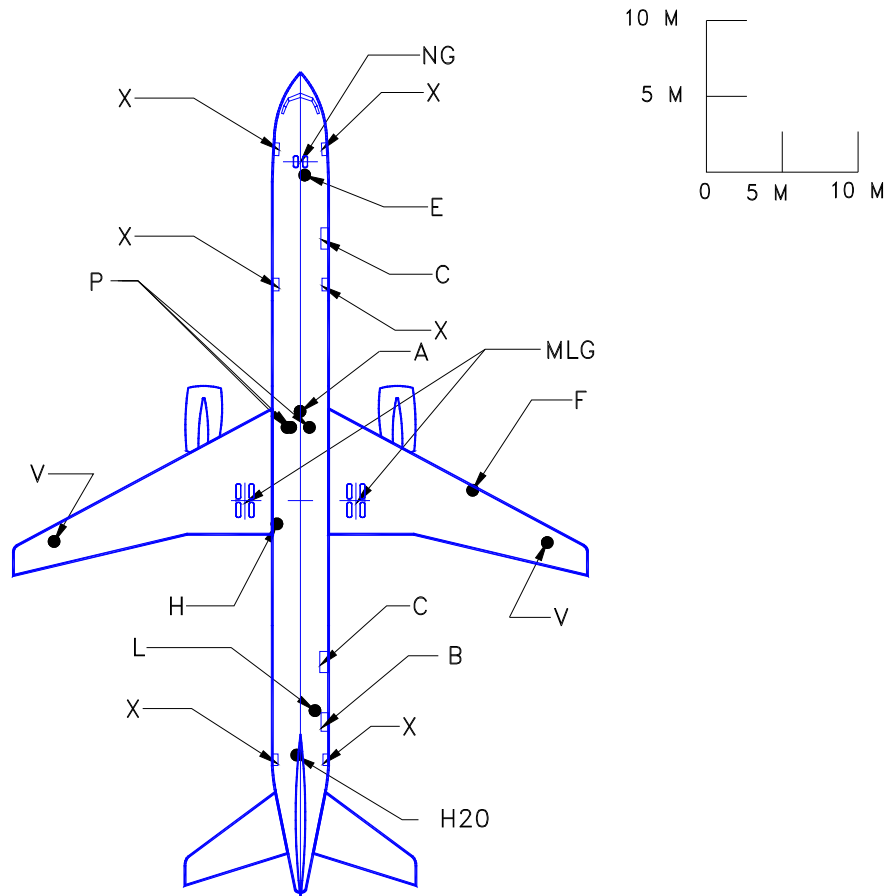
NOTE: WHEN PRINTING THIS DRAWING, MAKE SURE TO ADJUST FOR PROPER SCALING

9.13.2 SCALED DRAWING - 1 IN = 100 FT
MODEL 757-300

D6-58327

170 JUNE 1999

Not Subject to EAR or ITAR.
Copyright © 2023 Boeing. All Rights Reserved.



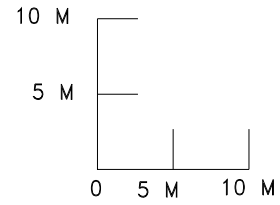
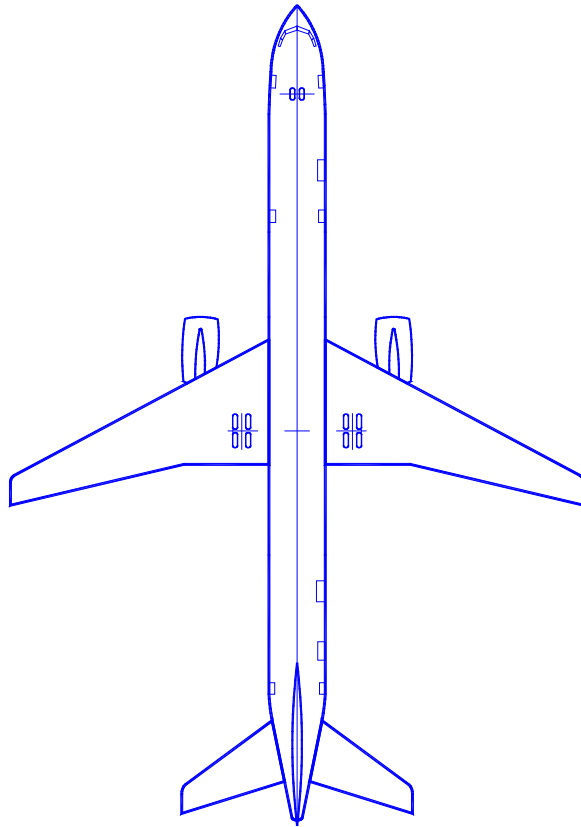
LEGEND

- A AIR CONDITIONING
- B BULK CARGO DOOR
- C CARGO DOOR
- E ELECTRICAL
- F FUEL
- H HYDRAULIC
- H2O POTABLE WATER
- L LAVATORY
- MLG MAIN LANDING GEAR
- NG NOSE GEAR
- P PNEUMATIC
- V FUEL VENT
- X PASSENGER DOOR

NOTE: WHEN PRINTING THIS DRAWING, MAKE SURE TO ADJUST FOR PROPER SCALING

9.14.1 SCALED DRAWING - 1:500
 MODEL 757-300

D6-58327



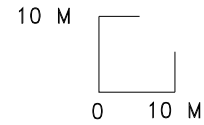
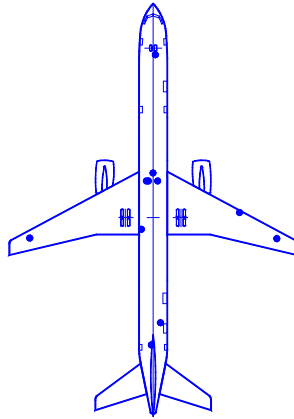
NOTE: WHEN PRINTING THIS DRAWING, MAKE SURE TO ADJUST FOR PROPER SCALING

9.14.2 SCALED DRAWING - 1:500
MODEL 757-300

D6-58327

172 JUNE 1999

Not Subject to EAR or ITAR.
Copyright © 2023 Boeing. All Rights Reserved.



LEGEND

- A AIR CONDITIONING
- B BULK CARGO DOOR
- C CARGO DOOR
- E ELECTRICAL
- F FUEL
- H HYDRAULIC
- H2O POTABLE WATER
- L LAVATORY
- MLG MAIN LANDING GEAR
- NG NOSE GEAR
- P PNEUMATIC
- V FUEL VENT
- X PASSENGER DOOR

NOTE:

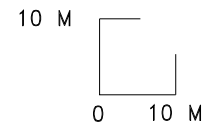
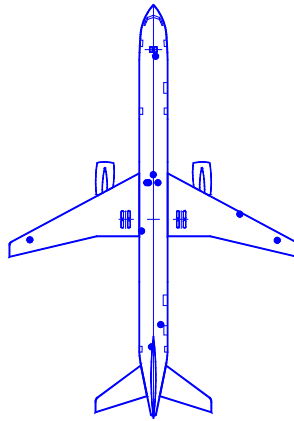
SEE SECTION 9.11.1 FOR IDENTIFICATION OF SERVICE POINT LOCATIONS

NOTE: WHEN PRINTING THIS DRAWING, MAKE SURE TO ADJUST FOR PROPER SCALING

9.15.1 SCALED DRAWING - 1:1000
MODEL 757-300

D6-58327

JUNE 1999 173



NOTE: WHEN PRINTING THIS DRAWING, MAKE SURE TO ADJUST FOR PROPER SCALING

9.15.2 SCALED DRAWING - 1:1000
MODEL 757-300

D6-58327

174 JUNE 1999

Not Subject to EAR or ITAR.
Copyright © 2023 Boeing. All Rights Reserved.